



CERAMIC RESIN SEALED SMD CRYSTAL MODEL: FQA



FEATURES

- Low Cost
- Fundamental to 40 MHz
- Resin Sealed
- Tape and Reel (2,000 pcs. STD)

OPTIONS

- Tolerances to < 20 PPM
- Stabilities to < 20 PPM
- Temperatures to -40°C ~ +85°C



| • PART NUMBER Learn More - Internet Required | | |
|--|--------------|-----------------------|
| Part Number | Model Number | Frequency Range (MHz) |
| 257-Frequency-xxxxx | FQA | 9.84375 ~ 67.000 |

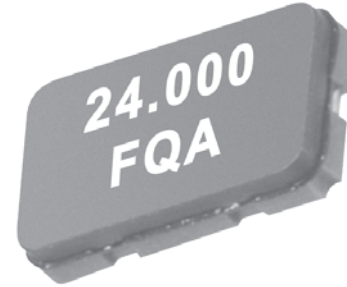
| • STANDARD SPECIFICATIONS ¹ | |
|--|--|
| PARAMETERS | MAX (unless otherwise noted) |
| Frequency Range | 9.84375 ~ 67.000 MHz |
| Frequency Stability Over Operating Temp Range | ±100 PPM ² |
| Temperature Range | |
| Operating (TOPR) | -10°C ~ +60°C |
| Storage (TSTG) | -40°C ~ +85°C |
| Shunt Capacitance (Co) | 7.0 pF |
| Load Capacitance (CL) | 10 pF ~ Series (Customer Specified) |
| Drive Level | 0.1 mW |
| Aging per year | ±5 PPM |

¹ Other stabilities & operating temperature ranges available. Consult Fox Customer Service for specific requirements.

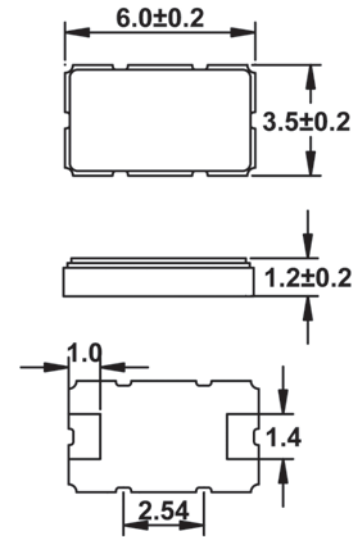
² Inclusive of tolerance at 25°C.

All specifications subject to change without notice. Rev. 6/1/04

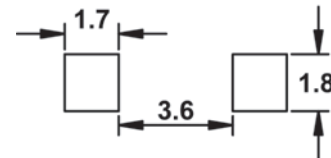
| Frequency Range (MHz) | Operating Mode | Max ESR Ω |
|-----------------------|----------------|-----------|
| 9.84375 ~ 12.000 | Fundamental | 80 |
| 12.000+ ~ 16.000 | Fundamental | 60 |
| 16.000+ ~ 40.000 | Fundamental | 40 |
| 40.000 ~ 67.000 | 3rd OT | 70 |



Learn more about:
[Part Marking Identification](#)
[Tape and Reel Specification](#)
Internet required



Recommended Solder Pad Layout



All dimensions are in millimeters.