

VI TELEFILTER **Filter specification** **TFS280H** **1/5**

Measurement condition

Ambient temperature: 22 °C
 Input power level: 0 dBm
 Terminating impedance: *
 Input: 82 Ω || -17.2pF
 Output: 187 Ω || - 8 pF

Characteristics

Remark:

Reference level for the relative attenuation a_{rel} of the TFS280H is the minimum of the pass band attenuation a_{min} . The minimum of the pass band attenuation a_{min} is defined as the insertion loss a_e . The centre frequency f_C is the arithmetic mean value of the upper and lower frequencies at the -3 dB filter attenuation level relative to the insertion loss a_e . The nominal frequency f_N is fixed at 280 MHz without tolerance. The given values for the relative attenuation a_{rel} and for the group delay ripple have to be reached at the frequencies given below even if the centre frequency f_C is shifted due to the temperature coefficient of frequency TC_f in the operating temperature range and due to a production tolerance for the centre frequency f_C .

D a t a	typ. value		tolerance / limit	
Insertion Loss	a_e	7,6 MHz	max.	10 dB
Nominal Frequency	f_N	279,9 MHz		280 MHz
Centre Frequency	f_C	280 MHz		-
Relative Attenuation	a_{rel}			
f_N ...	$f_N \pm 9,5$ MHz	0,8 dB	max.	3 dB
$f_N \pm 18,7$ MHz ...	$f_N \pm 19,2$ MHz	35 dB	min.	16 dB
$f_N \pm 19,2$ MHz ...	$f_N \pm 20,0$ MHz	30 dB	min.	25 dB
$f_N \pm 20,0$ MHz ...	$f_N \pm 100,0$ MHz	43 dB	min.	40 dB
Group Delay Ripple				
f_N ...	$f_N \pm 8,1$ MHz	25 ns		30 ns
Operating Temperature Range	OTR	-		- 40°C ... + 85°C
Storage Temperature Range		-		- 40°C ... + 85°C
Temperature Coefficient of Frequency	TC_f **	- 87 ppm/K		-
Input Power Level		-	max.	10 dBm

*) The terminating impedances depend on parasitics and q-values of matching elements and the board used, and are to be understood as reference values only. Should there be additional questions do not hesitate to ask for an application note or contact our design team.

**) $\Delta f(\text{Hz}) = TC_f(\text{ppm/K}) \times (T - T_0) \times f_{T0}(\text{MHz})$

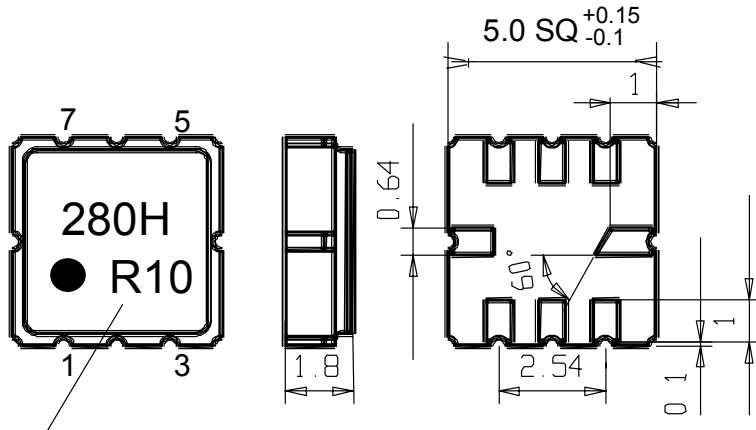
Generated: _____

Checked / Approved: _____

Tele Filter GmbH
 Potsdamer Straße 18
 D 14 513 TELTOW / Germany
 Tel: (+49) 3328 4784-0 / Fax: (+49) 3328 4784-30
 E-Mail: tf@telefilter.com

VI TELEFILTER reserves the right to make changes to the product(s) and/or information contained herein without notice. No liability is assumed as a result of their use or application. No rights under any patent accompany the sale of any such product(s) or information.

Construction and pin connection
(all dimensions in mm)

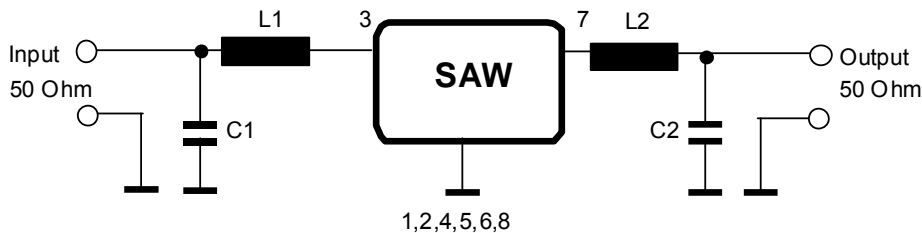


Date code

- 1 ground
- 2 input rf return
- 3 input
- 4 ground
- 5 ground
- 6 output rf return
- 7 output
- 8 ground

date code	year + week
S	2004
T	2005
U	2006
...	

50 Ω matching network



Tele Filter GmbH
 Potsdamer Straße 18
 D 14 513 TELTOW / Germany
 Tel: (+49) 3328 4784-0 / Fax: (+49) 3328 4784-30
 E-Mail: tft@telefilter.com

VI TELEFILTER reserves the right to make changes to the product(s) and/or information contained herein without notice. No liability is assumed as a result of their use or application. No rights under any patent accompany the sale of any such product(s) or information.

Stability characteristics

After the following tests the filter shall meet the whole specification:

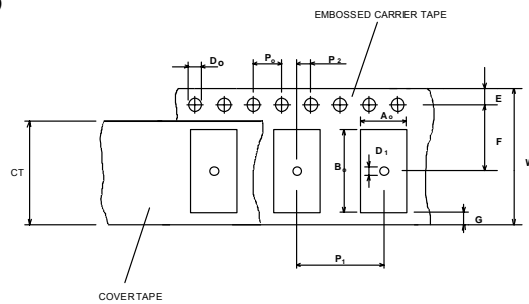
1. Shock: 500g, 18 ms, half sine wave, 3 shocks each plane;
DIN IEC 68 T2 - 27
2. Vibration: 10 Hz to 500 Hz, 0,35 mm or 5g respectively, 1 octave per min, 10 cycles per plan, 3 plans;
DIN IEC 68 T2 - 6
3. Change of temperature: -55 °C to 125°C / 30 min. each / 10 cycles
DIN IEC 68 part 2 – 14 Test N
4. Resistance to solder heat (reflow): reflow possible: twice max.;
for temperature conditions, please refer to the attached "Air reflow temperature conditions" on page 4;

Packing

Tape & Reel: IEC 286 - 3, with exception of value for N and minimum bending radius;
tape type II, embossed carrier tape with top cover tape on the upper side;
max. pieces of filters per reel: 3000
Reel of empty components at start: min 300 mm
Reel of empty components at start including leader: min 500 mm
Trailer: min 300 mm

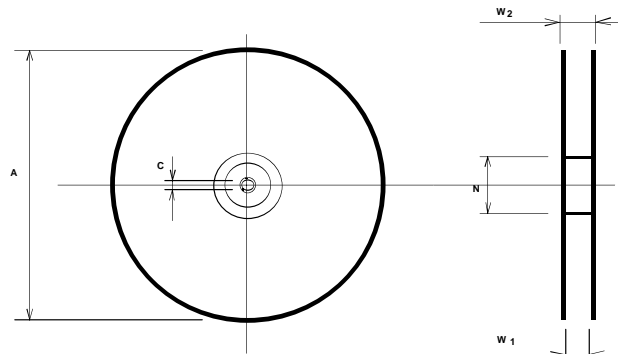
Tape (all dimensions in mm)

- W : 12 ± 0,3
- Po : 4 ± 0,1
- Do : 1,5 + 0,1
- E : 1,75 ± 0,1
- F : 5,5 ± 0,05
- G (min) : 0,75
- P2 : 2 ± 0,05
- P1 : 8 ± 0,10
- D1(min): 1,5
- Ao : 5,30 ± 0,1
- Bo : 5,30 ± 0,1
- CT : 9,5 ± 0,1



Reel (all dimensions in mm):

- A : 330
- W1 : 12,4 + 2 / 0
- W2 (max) : 18,4
- N (min) : 50
- C : 13 + 0,5 / -0,2



The minimum bending radius is 45 mm. The mounting surface of the filters faces the bottom side of the embossed carrier tape. Markings on the filters can be read if the upper side of the carrier tape is regarded with the sprocket holes on its right.

Tele Filter GmbH
Potsdamer Straße 18
D 14 513 TELTOW / Germany
Tel: (+49) 3328 4784-0 / Fax: (+49) 3328 4784-30
E-Mail: tft@telefilter.com

VI TELEFILTER reserves the right to make changes to the product(s) and/or information contained herein without notice. No liability is assumed as a result of their use or application. No rights under any patent accompany the sale of any such product(s) or information.

Air reflow temperature conditions

1st and 2nd air reflow profile

Name:	pre-heating periods	main-heating periods	peak temperature
Temperature:	150 °C - 170 °C	over 200 °C	255 °C ± 5 °C
Time:	60 sec. - 90 sec.	20 sec. - 25 sec.	

Chip-mount air reflow profile

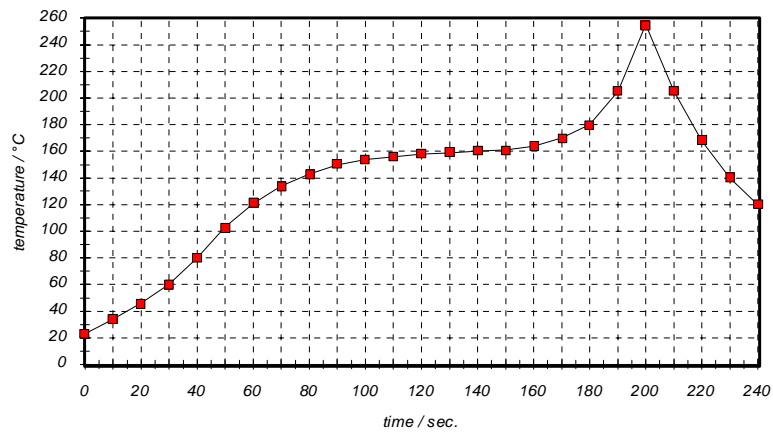


Table for temperature vs. time during the air reflow process

Tolerance of temperatures: ± 5 °C

time / sec.	temperature / °C	time / sec.	temperature / °C
0	23	140	160
10	34	150	161
20	46	160	164
30	60	170	170
40	80	180	180
50	103	190	205
60	121	195	230
70	134	200	255
80	143	205	230
90	150	210	205
100	154	215	180
110	156	220	165
120	158	230	140
130	159	240	120

Tele Filter GmbH
 Potsdamer Straße 18
 D 14 513 TELTOW / Germany
 Tel: (+49) 3328 4784-0 / Fax: (+49) 3328 4784-30
 E-Mail: tft@telefilter.com

VI TELEFILTER reserves the right to make changes to the product(s) and/or information contained herein without notice. No liability is assumed as a result of their use or application. No rights under any patent accompany the sale of any such product(s) or information.

VI TELEFILTER**Filter specification****TFS280H****5/5****History**

Version	Reason of Changes	Name	Date
1.0	generate specification	Pfeiffer	17.03.2003
1.1	frequency range for group delay ripple (GDR) changed pin 6 set to output rf return	Chilla	02.06.2003
1.2	Reel information corrected. Preliminary values for termination impedances added. 50 Ω matching network added. Relative attenuation of 16 dB and 25 dB added.	Dr. Wall	19.06.2003
1.3	insertion loss changed. temperature coefficient of frequency added. 50 Ω matching network modified. termination impedance changed	Chilla	14.08.2003
1.4	typical values added.	Chilla	13.01.2004

Tele Filter GmbH
Potsdamer Straße 18
D 14 513 TELTOW / Germany
Tel: (+49) 3328 4784-0 / Fax: (+49) 3328 4784-30
E-Mail: tft@telefilter.com

VI TELEFILTER reserves the right to make changes to the product(s) and/or information contained herein without notice. No liability is assumed as a result of their use or application. No rights under any patent accompany the sale of any such product(s) or information.