

Adam Technologies, Inc.

### INTRODUCTION:

Adam Tech MTP series Modular Telephone Plugs are manufactured to terminate flat oval or round telephone cord to REA and Cat. 5 EIA/TIA specifications. Our double strain relief design, molded in polycarbonate, is manufactured with contacts pre-loaded in a variety of sizes and options including shielding and specific contacts for flat or round cable. Adam Tech is a major supplier of telephone line cords to the telecommunications industry.

### FEATURES:

- Preassembled Contacts
- REA Compliant Terminations
- Cat. 5 and 5E available
- Contacts for Flat or Round wire
- Short or Long body choices
- Shielded versions

### MATING TELEPHONE JACKS:

Adam Tech modular telephone jack series and all industry standard telephone Jacks.

### SPECIFICATIONS:

#### Material:

Insulator: Polycarbonate, rated UL94V-0  
 Insulator Color: Clear, (Blue optional)  
 Contacts: Phosphor Bronze

#### Contact Plating:

Gold Flash (optional 15 or 30  $\mu$ in) over nickel underplate.

#### Electrical:

Operating voltage: 150V AC max.  
 Current rating: 1.5 Amps max.  
 Contact resistance: 20 m $\Omega$  max. initial  
 Insulation resistance: 500 M $\Omega$  min.  
 Dielectric withstanding voltage: 1000V AC for 1 minute

#### Mechanical:

Cable to plug tensile strength: 7.71 Kgs (17 lbs) min.  
 Durability: 250 Cycles min.  
 Wire range: 26 to 28 Awg

#### Temperature Rating:

Operating temperature: -40°C to +70°C

### PACKAGING:

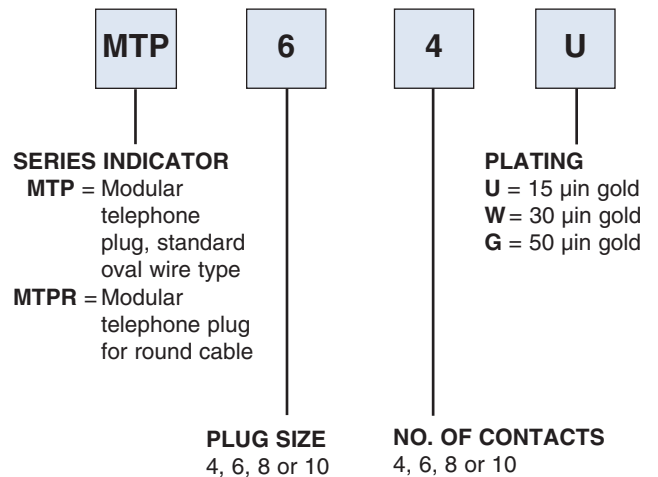
Anti-ESD plastic bags

### SAFETY AGENCY APPROVALS:

UL Recognized File No. E224049



## ORDERING INFORMATION

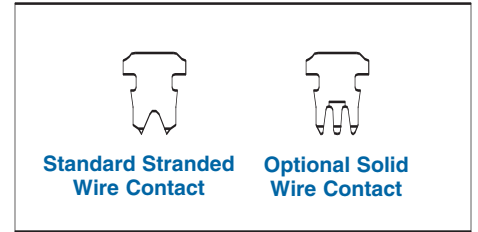


### OPTIONS:

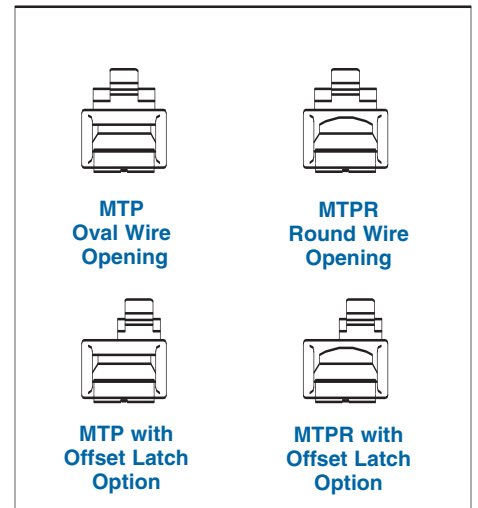
Add designator(s) to end of part number

- K** = Molded in key (Plug size 8 & 10 only)
- S** = Solid wire contacts
- EMI** = Metal shielded type (Plug size 8 or 10 only)
- OL** = Offset Latch (Plug size 6 only)
- BU** = Clear Blue insulator color

### Contact Options



### Plug Options



### Plug with Metal EMI Shield Option

