

LASER DIODE SPECIFICATIONS

Customer :

Model : QL63J5S-A/B/C-L

Approved by

Checked by

Issued by

QL63J5S-A/B/C-L

InGaAlP Laser Diode

Ver. 1 2005

◆ OVERVIEW

QL63J5S-A/B/C-L is a MOCVD grown 635 nm band *InGaAlP* laser diode with quantum well structure. It's an attractive light source, with a typical light output power of 40 mW for optoelectronic devices such as Optical Leveler and Modules.

◆ APPLICATION

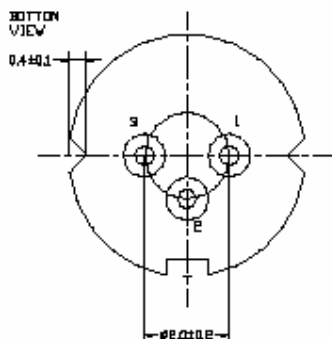
- Bar Code Scanner
- Laser Module

◆ FEATURES

- Visible Light Output : $\lambda_p = 635 \text{ nm}$
- Optical Power Output : 40 mW CW
- Package Type : TO-18 (5.6 mm)
- Built-in Photo Diode for Monitoring Laser Diode

◆ ELECTRICAL CONNECTION

Bottom View



Pin Configuration

A	LD cathode, PD anode (Fig. 1)
B	LD , PD anode (Fig. 2)
C	LD anode, PD cathode (Fig. 3)

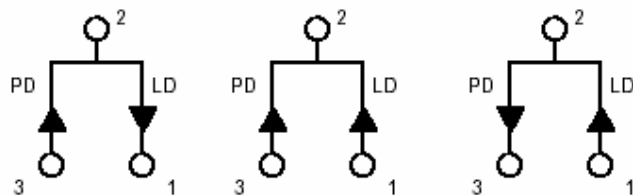


Fig. 1

QL63J5SA-L

Fig. 2

QL63J5SB-L

Fig. 3

QL63J5SC-L

◆ **ABSOLUTE MAXIMUM RATING at Tc = 25°C**

Items	Symbols	Values	Unit
Optical Output Power	P	45	mW
Laser Diode Reverse Voltage	V	2	V
Photo Diode Reverse Voltage	V	30	V
Operating Temperature	Topr	-10 ~ +50	°C
Storage Temperature	Tstg	-40 ~ +85	°C

◆ **ELECTRICAL and OPTICAL CHARACTERISTICS at Tc = 25°C ¹⁾²⁾**

Items	Symbols	Min.	Typ.	Max.	Unit	Condition
Optical Output Power	Po	-	40	-	mW	-
Threshold Current	Ith	-	50	80	mA	-
Operating Current	Iop	-	90	120	mA	Po = 40 mW
Operating Voltage	Vop	-	2.4	2.7	V	Po = 40 mW
Lasing Wavelength	λ_p	633	639	645	nm	Po = 40 mW
Beam Divergence ³⁾	$\theta_{ }$	7	11	15	deg	Po = 40 mW
	θ_{\perp}	25	30	35	deg	Po = 40 mW
Beam Angle	$\Delta\theta_{ }$	-	-	±3.0	deg	Po = 40 mW
	$\Delta\theta_{\perp}$	-	-	±3.0	deg	Po = 40 mW
Monitor Current	Im	0.01	0.2	0.5	mA	Po = 40 mW
Optical Distance	$\Delta X, \Delta Y, \Delta Z$	-	-	±60	μm	-

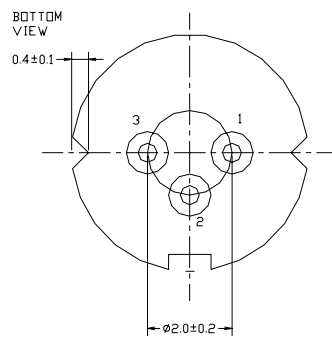
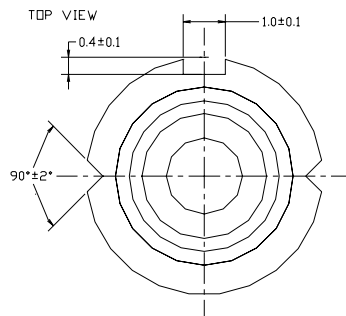
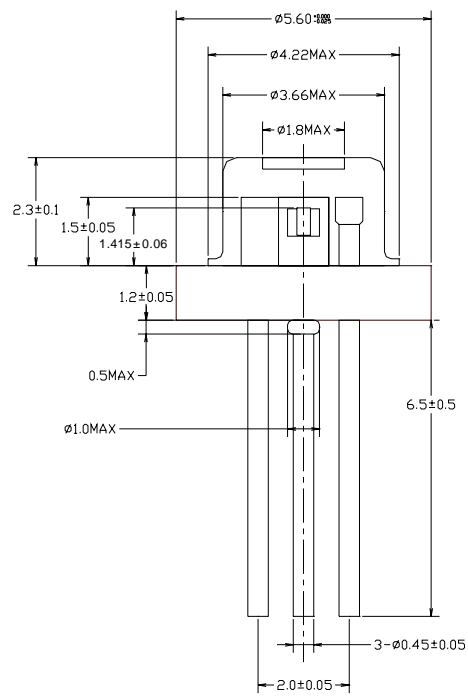
1) Initial values 2) All above values are evaluated with lab measuring apparatus

3) Full angle at half maximum

NOTICE : QL63J5-A/B/C-L Series to be operated on APC

The above product specifications are subject to change without notice.

◆ PACKAGE DIMENSION



◆PACKING

