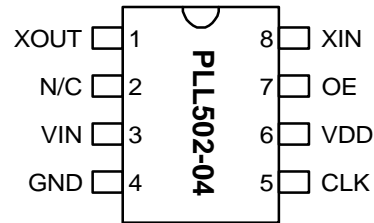


Low Phase Noise VCXO (96MHz to 200MHz)

FEATURES

- VCXO output for the 96MHz to 200MHz range
- Low phase noise.
- CMOS output.
- 12 to 25MHz crystal input.
- Integrated variable capacitors.
- Selectable High Drive (36mA drive capability at TTL level) or Standard Drive (12mA drive capability at TTL) output.
- Wide pull range (+/- 250 ppm).
- Low jitter (RMS): 15ps period.
- 3.3V operation.
- Available in 8-Pin TSSOP or SOIC.

PIN CONFIGURATION



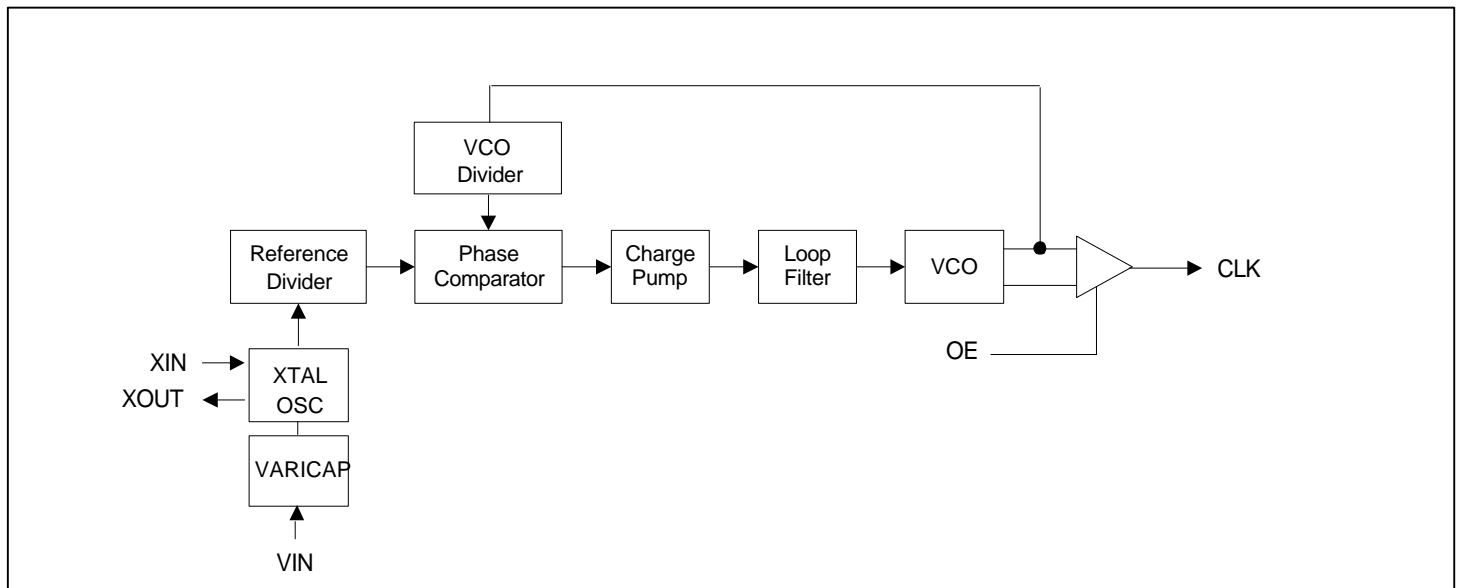
DESCRIPTIONS

The PLL502-04 is a low cost, high performance and low phase noise VCXO for the 96 to 200MHz range. The very low jitter (15 ps RMS period jitter at 155.52MHz) makes this chip ideal for applications requiring voltage controlled frequency sources in CMOS. Input crystal can range from 12 to 25MHz (fundamental resonant mode).

OUTPUT RANGE

MULTIPLIER	FREQUENCY RANGE	OUTPUT BUFFER
X8	96 - 200MHz	CMOS

BLOCK DIAGRAM



Low Phase Noise VCXO (96MHz to 200MHz)
PIN DESCRIPTIONS

Name	Number	Type	Description
XOUT	1	I	Crystal output pin.
N/C	2	-	Not connected.
VIN	3	I	Frequency control voltage input pin.
GND	4	P	Ground pin.
CLK	5	O	Output clock pin.
VDD	6	P	+3.3V VDD power supply pin.
OE	7	I	Output enable input pin. Disables (tri-state) output when low. Internal pull-up enables output by default if pin is not connected to low.
XIN	8	I	Crystal input pin.

ELECTRICAL SPECIFICATIONS
1. Absolute Maximum Ratings

PARAMETERS	SYMBOL	MIN.	MAX.	UNITS
Supply Voltage Range	V_{CC}	-0.5	7	V
Input Voltage Range	V_I	-0.5	$V_{CC}+0.5$	V
Output Voltage Range	V_O	-0.5	$V_{CC}+0.5$	V
Soldering Temperature			260	°C
Storage Temperature	T_S	-65	150	°C
Ambient Operating Temperature*		-40	85	°C

Exposure of the device under conditions beyond the limits specified by Maximum Ratings for extended periods may cause permanent damage to the device and affect product reliability. These conditions represent a stress rating only, and functional operations of the device at these or any other conditions above the operational limits noted in this specification is not implied.

* **Note:** Operating Temperature is guaranteed by design for all parts (COMMERCIAL and INDUSTRIAL), but tested for INDUSTRIAL grade only.

Low Phase Noise VCXO (96MHz to 200MHz)

2. AC Electrical Specifications

PARAMETERS	SYMBOL	CONDITIONS	MIN.	TYP.	MAX.	UNITS
Input Crystal Frequency			12		25	MHz
Output Clock Rise/Fall Time (Low Drive)		0.8V ~ 2.0V with 10 pF load		1.15		ns
		0.3V ~ 3.0V with 15 pF load		3.7		
Output Clock Rise/Fall Time (High Drive)		0.8V ~ 2.0V with 10 pF load		0.5		
		0.3V ~ 3.0V with 15 pF load		1.5		
Output Clock Duty Cycle		Measured @ 1.4V	45	50	55	%
Short Circuit Current				±50		mA

3. Voltage Control Crystal Oscillator

PARAMETERS	SYMBOL	CONDITIONS	MIN.	TYP.	MAX.	UNITS
VCXO Stabilization Time *	T _{VCXOSTB}	From power valid		10		ms
VCXO Tuning Range		F _{XIN} = 12 – 25MHz; XTAL C ₀ /C ₁ < 250	500			ppm
CLK output pullability		0V ≤ V _{IN} ≤ 3.3V	±250			ppm
VCXO Tuning Characteristic				165		ppm/V
Pull range linearity					10	%
VCON pin input impedance			2000			kΩ
VCON modulation BW		0V ≤ V _{IN} ≤ 3.3V, -3dB	25			kHz

Note: Parameters denoted with an asterisk (*) represent nominal characterization data and are not production tested to any specific limits.

4. Jitter and Phase Noise specification

PARAMETERS	CONDITIONS	MIN.	TYP.	MAX.	UNITS
RMS Period Jitter (1 sigma – 1000 samples)	At 155MHz with capacitive decoupling between VDD and GND.		15		ps
Phase Noise relative to carrier	155.52MHz @100Hz offset		-80		dBc/Hz
Phase Noise relative to carrier	155.52MHz @1kHz offset		-110		dBc/Hz
Phase Noise relative to carrier	155.52MHz @10kHz offset		-120		dBc/Hz
Phase Noise relative to carrier	155.52MHz @100kHz offset		-115		dBc/Hz
Phase Noise relative to carrier	155.52MHz @1MHz offset		-120		dBc/Hz

Low Phase Noise VCXO (96MHz to 200MHz)
5. DC Specification

PARAMETERS	SYMBOL	CONDITIONS	MIN.	TYP.	MAX.	UNITS
Supply Current, Dynamic, with Loaded Outputs	I_{DD}	$F_{XIN} = 12 - 25\text{MHz}$ Output load of 10pF		20	25	mA
Operating Voltage	V_{DD}		3.13		3.47	V
Output High Voltage	V_{OH}	$I_{OH} = -12\text{mA}$ (low drive)	2.4			V
Output Low Voltage	V_{OL}	$I_{LO} = 12\text{mA}$ (low drive)			0.4	V
Output High Voltage at CMOS level	V_{OHC}	$I_{OH} = -4\text{mA}$ (low drive)	$V_{DD} - 0.4$			V
Output drive current		At TTL level (High drive)	36	51		mA
		At TTL level (Low drive)	12	17		mA
Short Circuit Current				± 50		mA
VCXO Control Voltage	VCON		0		3.3	V
ESD Protection		Human Body Model	3000			

6. Crystal Specifications

PARAMETERS	SYMBOL	MIN.	TYP.	MAX.	UNITS
Crystal Resonator Frequency	F_{XIN}	12		25	MHz
Crystal Loading Capacitance Rating	C_L (xtal)		9.5		pF
C0/C1				250	-
ESR	R_s			30	Ω

Note: Crystal Loading rating: 9.5pF is the loading the crystal sees from the VCXO chip at VCON = 1.65V. It is assumed that the crystal will be at nominal frequency at this load. If the crystal requires more load to be at nominal frequency, the additional load must be added externally. This however may reduce the pull range.

Low Phase Noise VCXO (96MHz to 200MHz)

PACKAGE INFORMATION

8 PIN (dimensions in mm)

Symbol	Narrow SOIC		TSSOP	
	Min.	Max.	Min.	Max.
A	1.47	1.73	-	1.20
A1	0.10	0.25	0.05	0.15
B	0.33	0.51	0.19	0.30
C	0.19	0.25	0.09	0.20
D	4.80	4.95	2.90	3.10
E	3.80	4.00	4.30	4.50
H	5.80	6.20	6.20	6.60
L	0.38	1.27	0.45	0.75
e	1.27 BSC		0.65 BSC	

ORDERING INFORMATION

For part ordering, please contact our Sales Department:
 47745 Fremont Blvd., Fremont, CA 94538, USA
 Tel: (510) 492-0990 Fax: (510) 492-0991

PART NUMBER

The order number for this device is a combination of the following:
 Device number, Package type and Operating temperature range

PLL502-04 X C

PART NUMBER _____

- _____ TEMPERATURE
 C=COMMERCIAL
 M=MILITARY
 I=INDUSTRIAL
- _____ PACKAGE TYPE
 S=SOIC, O=TSSOP

PhaseLink Corporation, reserves the right to make changes in its products or specifications, or both at any time without notice. The information furnished by Phaselink is believed to be accurate and reliable. However, PhaseLink makes no guarantee or warranty concerning the accuracy of said information and shall not be responsible for any loss or damage of whatever nature resulting from the use of, or reliance upon this product.

LIFE SUPPORT POLICY: PhaseLink's products are not authorized for use as critical components in life support devices or systems without the express written approval of the President of PhaseLink Corporation.