

Low Power CMOS Output VCXO Family (27MHz to 200MHz)

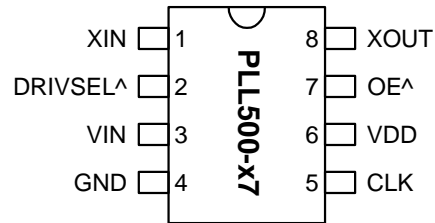
FEATURES

- VCXO output for the 27MHz to 200MHz range
 - PLL500-27: 27MHz to 65MHz
 - PLL500-37: 65MHz to 130MHz
 - PLL500-47: 100MHz to 200MHz
- Low phase noise (-130 dBc @ 10kHz offset).
- CMOS output with OE tri-state control.
- Selectable output drive (Standard or High drive).
 - Standard: 12mA drive capability at TTL level.
 - High: 36mA drive capability at TTL level.
- Fundamental crystal input with no multiplication.
- Integrated high linearity variable capacitors.
- +/- 150 ppm pull range, max 5% linearity.
- Low jitter (RMS): 2.5ps period jitter.
- 2.25V to 3.63V DC operation.
- Available in 8-Pin SOIC or DIE.

DESCRIPTION

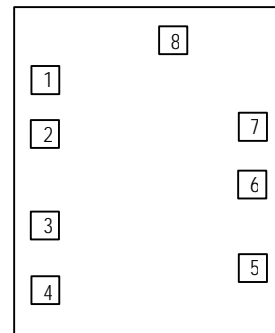
The PLL500-27/-37/-47 are a low cost, high performance and low phase noise, high linearity VCXO family for the 27 to 200MHz range, providing less than -130dBc at 10kHz offset. The very low jitter (2.5 ps RMS period jitter) makes these chips ideal for applications requiring voltage controlled frequency sources. The IC's are designed to accept fundamental resonant mode crystals.

PIN CONFIGURATION



^: Denotes internal Pull-up

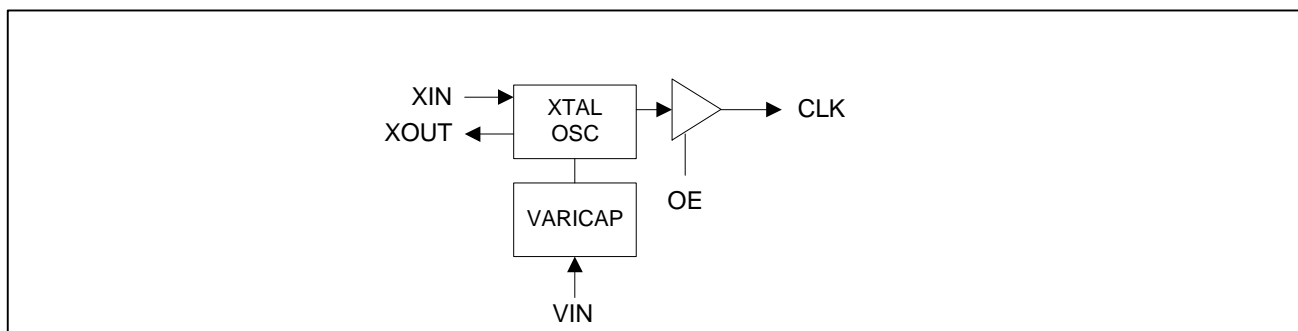
DIE PAD LAYOUT



FREQUENCY RANGE

PART #	MULTIPLIER	FREQUENCY
PLL500-27	1x	27 – 65 MHz
PLL500-37	1x	65 – 130 MHz
PLL500-47	1x	100 – 200 MHz

BLOCK DIAGRAM



Low Power CMOS Output VCXO Family (27MHz to 200MHz)
PIN AND PAD DESCRIPTION

Name	Pin#	Die Pad Position		Type	Description
		X (μm)	Y (μm)		
XIN	1	94.183	768.599	I	Crystal input pin.
DRIVSEL	2	94.157	605.029	I	Output drive select pin. High drive if set to '0'. Low drive if set to '1'. Internal pull-up.
VIN	3	94.183	331.756	I	Frequency control voltage input pin.
GND	4	94.193	140.379	P	Ground pin.
CLK	5	715.472	203.866	O	Output clock pin.
VDD	2	715.307	455.726	P	+3.3V VDD power supply pin. Only one VDD pin is necessary.
OE	7	715.472	626.716	I	Output Enable input pin. Tri-states output if set to '0'. Enables output if set to '1'. Internal pull-up.
XOUT	8	715.472	888.881	I	Crystal output pin.

ELECTRICAL SPECIFICATIONS
1. Absolute Maximum Ratings

PARAMETERS	SYMBOL	MIN.	MAX.	UNITS
Supply Voltage Range	V _{CC}	-0.5	7	V
Input Voltage Range	V _I	-0.5	V _{CC} +0.5	V
Output Voltage Range	V _O	-0.5	V _{CC} +0.5	V
Soldering Temperature			260	°C
Storage Temperature	T _S	-65	150	°C
Ambient Operating Temperature		0	70	°C

Exposure of the device under conditions beyond the limits specified by Maximum Ratings for extended periods may cause permanent damage to the device and affect product reliability. These conditions represent a stress rating only, and functional operations of the device at these or any other conditions above the operational limits noted in this specification is not implied.

Low Power CMOS Output VCXO Family (27MHz to 200MHz)

2. AC Electrical Specifications

PARAMETERS	SYMBOL	CONDITIONS	MIN.	TYP.	MAX.	UNITS
Input Crystal Frequency		PLL500-27	27		65	MHz
		PLL500-37	65		130	
		PLL500-47	100		200	
Output Clock Rise/Fall Time		0.8V ~ 2.0V with 10 pF load		1.15		ns
		0.3V ~ 3.0V with 15 pF load		3.7		
Output Clock Duty Cycle		Measured @ 1.4V	45	50	55	%
Short Circuit Current				±50		mA

3. Voltage Control Crystal Oscillator

PARAMETERS	SYMBOL	CONDITIONS	MIN.	TYP.	MAX.	UNITS
VCXO Stabilization Time *	T _{VCXOSTB}	From power valid		10		ms
VCXO Tuning Range		XTAL C ₀ /C ₁ < 250	300			ppm
CLK output pullability		0V ≤ VIN ≤ 3.3V	±150			ppm
VCXO Tuning Characteristic				100		ppm/V
Pull range linearity					5	%
Power Supply Rejection	PWSRR	Frequency change with V _{dd} varied +/- 10%	-1		+1	ppm
VIN pin input impedance			1000			kΩ
VIN modulation BW		0V ≤ VIN ≤ 3.3V, -3dB	45			kHz

Note: Preliminary Specifications still to be characterized. Parameters denoted with an asterisk (*) represent nominal characterization data and are not production tested to any specific limits.

4. Jitter and Phase Noise specification

PARAMETERS	CONDITIONS	MIN.	TYP.	MAX.	UNITS
RMS Period Jitter (1 sigma – 1000 samples)	with capacitive decoupling between VDD and GND.		2.5		ps
Phase Noise relative to carrier	@100Hz offset		-80		dBc/Hz
Phase Noise relative to carrier	@1kHz offset		-110		dBc/Hz
Phase Noise relative to carrier	@10kHz offset		-130		dBc/Hz
Phase Noise relative to carrier	@100kHz offset		-138		dBc/Hz
Phase Noise relative to carrier	@1MHz offset		-145		dBc/Hz

Note: Preliminary Specifications still to be characterized.

Low Power CMOS Output VCXO Family (27MHz to 200MHz)

5. DC Specification

PARAMETERS	SYMBOL	CONDITIONS	MIN.	TYP.	MAX.	UNITS
Supply Current, Dynamic, with Loaded Outputs	I _{DD}	F _{XIN} = 36MHz, 15pF output load		5	6	mA
		F _{XIN} = 77MHz, 15pF output load		10*	12*	
		F _{XIN} = 155MHz, 15pF output load		15*	18*	
Operating Voltage	V _{DD}		2.25		3.63	V
Output High Voltage	V _{OH}	I _{OH} = -12mA	2.4			V
Output Low Voltage	V _{OL}	I _{LO} = 12mA			0.4	V
Output High Voltage at CMOS level	V _{OHC}	I _{OH} = -4mA	V _{DD} - 0.4			V
Output drive current		Standard drive at TTL level	12	17		mA
		High drive at TTL level	36	51		
Short Circuit Current				±50		mA
VCXO Control Voltage	V _{IN}		0		3.3	V
ESD Protection		Human Body Model	3000			

* Note: Preliminary, actual value to be measured.

6. Crystal Specifications

PARAMETERS	SYMBOL	MIN.	TYP.	MAX.	UNITS
Crystal Loading Rating (V _{IN} = 1.65V)	C _L (xtal)		8.5*		pF
Maximum Sustainable Drive Level				200	μW
Operating Drive Level			50		μW
Max C0 for PLL500-27				3.5*	pF
Max C0 for PLL500-37				2.5*	
Max C0 for PLL500-47				2*	
C0/C1				250	-
ESR	R _s			30	Ω

Note: The crystal must be such that it oscillates (parallel resonant) at nominal frequency when presented a C Load as specified above. If the crystal requires more load to be at nominal frequency, the additional load must be added externally. This however may reduce the pull range.

* Note: Preliminary, actual value to be measured.

Low Power CMOS Output VCXO Family (27MHz to 200MHz)

PACKAGE INFORMATION

8 PIN (dimensions in mm)

Symbol	Narrow SOIC		TSSOP	
	Min.	Max.	Min.	Max.
A	1.47	1.73	-	1.20
A1	0.10	0.25	0.05	0.15
B	0.33	0.51	0.19	0.30
C	0.19	0.25	0.09	0.20
D	4.80	4.95	2.90	3.10
E	3.80	4.00	4.30	4.50
H	5.80	6.20	6.20	6.60
L	0.38	1.27	0.45	0.75
e	1.27 BSC		0.65 BSC	

ORDERING INFORMATION

PART NUMBER

The order number for this device is a combination of the following:
Device number, Package type and Operating temperature range

PLL500-x7 S C
 PART NUMBER _____

TEMPERATURE
 C=COMMERCIAL

 PACKAGE TYPE
 S=SOIC
 D=Die

Order Number	Marking	Package Option
PLL500-27SC-R	P500-27 SC	SOIC - Tape and Reel
PLL500-27DC	P500-27	Die - Waffe Pack
PLL500-37SC-R	P500-37 SC	SOIC - Tape and Reel
PLL500-37DC	P500-37	Die - Waffe Pack
PLL500-47SC-R	P500-47 SC	SOIC - Tape and Reel
PLL500-47DC	P500-47	Die - Waffe Pack

PhaseLink Corporation, reserves the right to make changes in its products or specifications, or both at any time without notice. The information furnished by Phaselink is believed to be accurate and reliable. However, PhaseLink makes no guarantee or warranty concerning the accuracy of said information and shall not be responsible for any loss or damage of whatever nature resulting from the use of, or reliance upon this product.

LIFE SUPPORT POLICY: PhaseLink's products are not authorized for use as critical components in life support devices or systems without the express written approval of the President of PhaseLink Corporation.