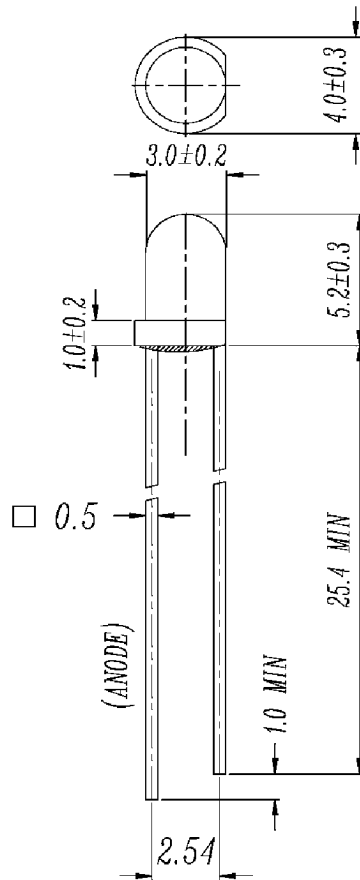


IHD2151

Page 1 of 2



This lamp is a T-1, 3 mm diameter package.



RoHS Compliant
Aug 2004

PART NO.	Chip		Lens Color
	Material	Emitted Color	
IHD2151	GaP	Bright Red	Red Diffused

* Specifications subject to change without notice. Dimensions are in mm±0.25 unless stated otherwise.

IDEA, Inc., 1351 Titan Way, Brea, CA 92821 Ph:714-525-3302, 800-LED-IDEA; Fax: 714-525-3304 0507

Absolute Maximum Ratings at $T_a = 25\text{ }^\circ\text{C}$

Parameter	Symbol	Rating	Units
Forward Current	I_F	15	mA
Operating Temperature	T_{opr}	-40 to +85	$^\circ\text{C}$
Storage Temperature	T_{stg}	-40 to +100	$^\circ\text{C}$
Soldering Temperature	T_{sol}	260 ± 5	$^\circ\text{C}$
Power Dissipation	P_d	45	mW
Peak Forward Current (Duty 1/10 @ 1 KHz)	I_{FP}	50	mA
Reverse Voltage	V_R	5	V

Electronic Optical Characteristics

Parameter	Symbol	Min.	Typ.	Max.	Units	Condition
Luminous Intensity	I_V	2.5	4.0	—	mcd	$I_F = 10\text{ mA}$
Viewing Angle	$2\theta_{1/2}$	—	70	—	deg	$I_F = 10\text{ mA}$
Peak Wavelength	λ_p	—	697	—	nm	$I_F = 10\text{ mA}$
Dominant Wavelength	λ_d	—	650	—	nm	$I_F = 10\text{ mA}$
Spectrum Radiation Bandwidth	$\Delta\lambda$	—	90	—	nm	$I_F = 10\text{ mA}$
Forward Voltage	V_F	1.5	2.0	2.4	V	$I_F = 10\text{ mA}$
Reverse Current	I_R	—	—	10	μA	$V_R = 5\text{ V}$

* Specifications subject to change without notice. Dimensions are in mm \pm 0.25 unless stated otherwise.

IDEA, Inc., 1351 Titan Way, Brea, CA 92821 Ph:714-525-3302, 800-LED-IDEA; Fax: 714-525-3304 0507