

SKP-MS401 PIR

SEIKO Precision



Small PIR Module with Lens

SEIKO Precision's MS-400 Series are small PIR Sensor modules, that combine a pyroelectric infrared detector, sensor circuitry with its own lens.



Features

Small lens containing PIR sensor, OP-amp, and Comparator.
 14.3mm in diameter, 15.9mm high.
 Can be installed on printed circuit boards directly with 3 reeds.
 Selectable in white and grey colour lens.

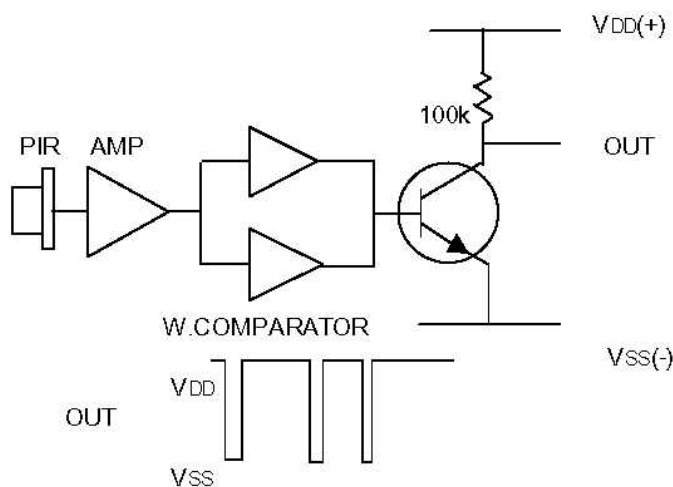
Applications

Automatic lighting switches.
 Safety systems.
 Intruder alarms.

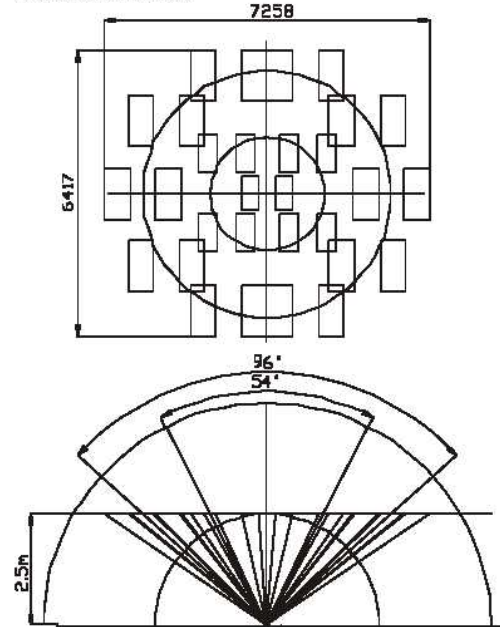
Characteristics

	MS-401	
Power Supply Voltage	4.5V	5.5V
Power Consumption	1.2mA TYP	
Operating temperature	10	50
Output	Comparator out	Active Low
Output current I sink	Min 6mA, typ16mA	

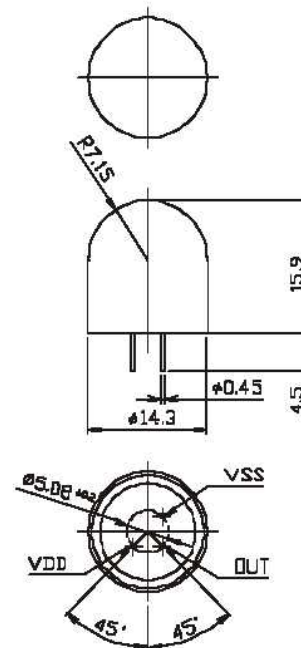
Circuit Diagram



Detection Area



External Dimensions (mm)



HERO ELECTRONICS LIMITED, 10 DOOLITTLE MILL, FROGHALL ROAD, AMPHILL, MK45 2ND, UK
 TEL: 01525 405015 Email: sales@heroelec.co.uk FAX: 01525 402383