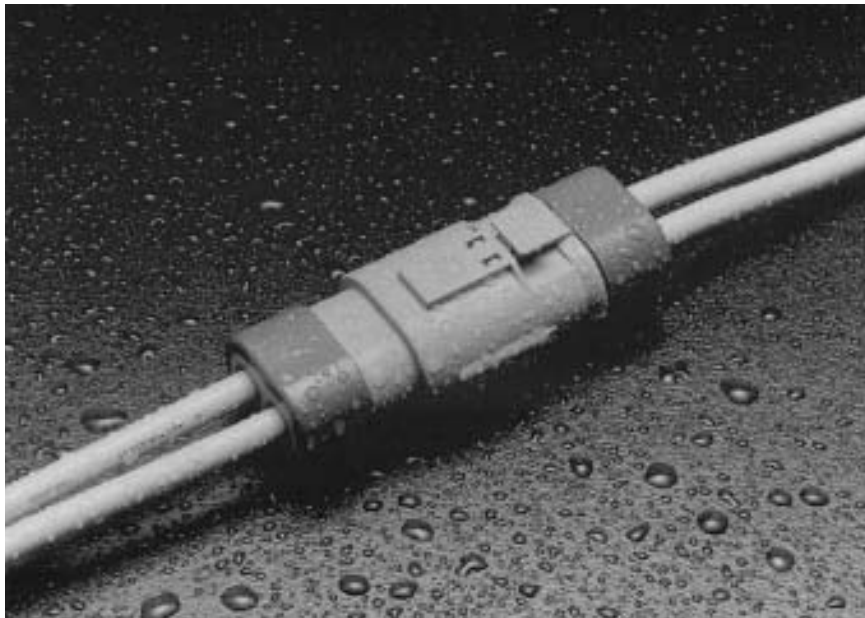


GT6W Series

— Shielded Cable, High-Current, Waterproof Connectors —
<In-line Type>

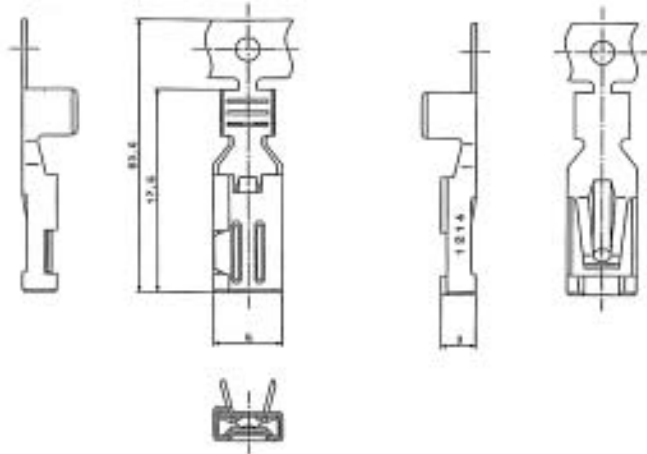


■ Features

- Can be used at currents up to 20 A.
- Shield processing can be performed easily with crimping.

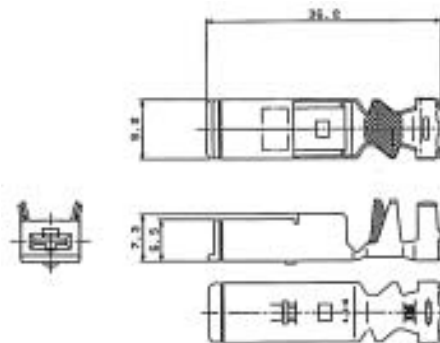
F Connectors

● Center Terminals



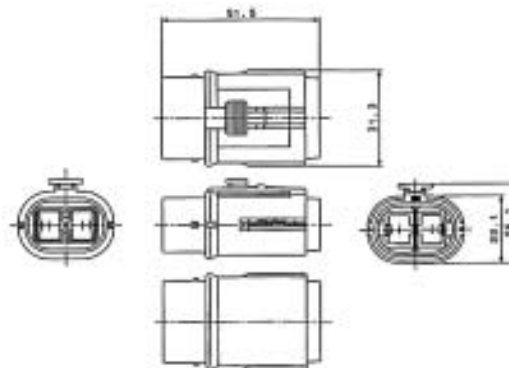
Part Number	CL No.	Packaging
GT6-1214SCF	756-0005-6	1,500 pcs. per reel

● Outer Terminals

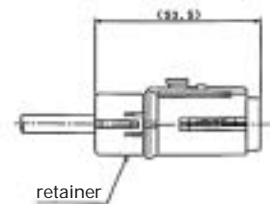


Part Number	CL No.
GT6-4.4/6SC	756-0007-1

● Housing



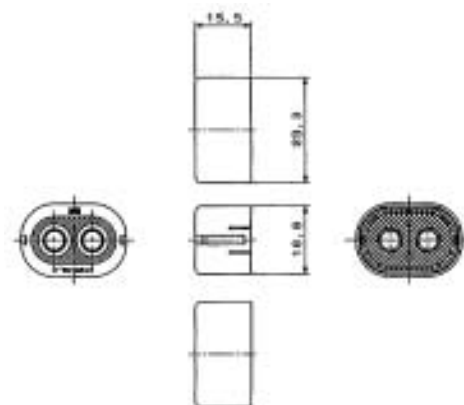
◆ Shown with inserted retainer



Part Number	CL No.
GT6W-2S-HU	756-0002-8

Used with separate retainer (GT6W-2P/S-6R).

● Retainer (Used with GT6W-2S-HU and GT6W-2PP-HU)

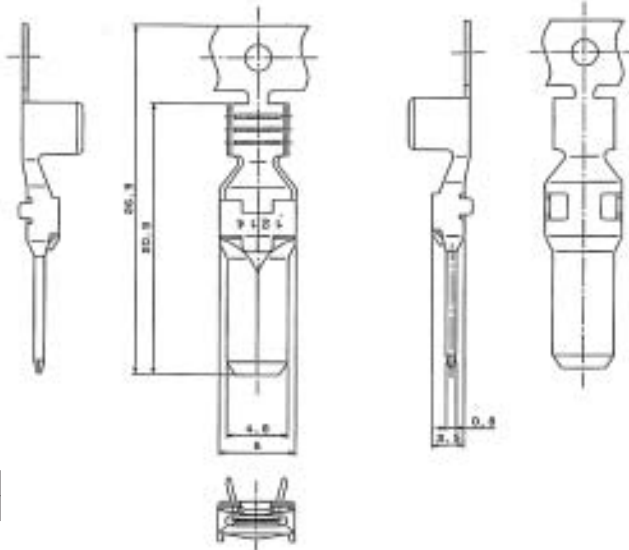


Part Number	CL No.	Outer Diameter
GT6W-2P/S-6R	756-0003-0	4.6 to 5.0 mm

Consult nearest HRS representative for other diameters.

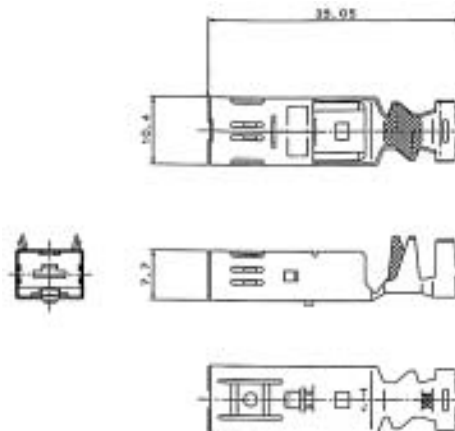
M Connectors

● Center Terminals



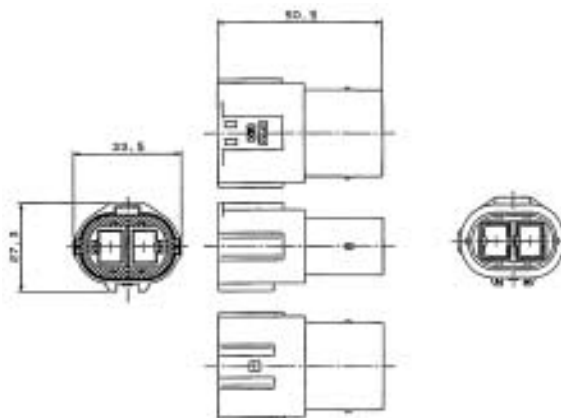
Part Number	CL No.	Packaging
GT6-1214PCF	756-0004-3	1,500 pcs. per reel

● Outer Terminals



Part Number	CL No.
GT6-4.4/6PC	756-0006-9

● Housing



◆ Fully mated connector assemblies

Part Number	CL No.
GT6W-2PP-HU	756-0001-5

Used with separate retainer (GT6W-2P/S-6R).

