

Accessories & Service

Measuring wheels



Description

When selecting a measuring wheel the kind of material to be measured has to be taken into consideration prior to any decision on wheel surface respectively cover lining. The wheel circumference depends on the space available as well as on the size of counter or encoder. The smaller the measuring wheel, the more force required at the wheel circumference and consequently the higher the risk of slippage and incorrect measuring results. Also the width of the measuring wheel has an impact on the result.

Technical data - Small measuring wheels

	MR211	MR241	MR261	MR291	MR752
Circumference	20 cm	20 cm	20 cm	20 cm	30.48 cm
Outer diameter	63.66 mm	63.66 mm	63.66 mm	63.66 mm	97.02 mm
Surface profile	cross knurl	smooth	knopped rubber	knurled	smooth
Surface material	Aluminium	Hytrel TPE-E	NBR Nitril	Hytrel TPE-E	Vulkollan PUR
Wheel material	Aluminium	Plastic	Aluminium	Plastic	Aluminium
Surface hardness, approx.	-	90° Shore A	55° ±5° Shore A	90° Shore A	65° Shore A
Operating temperature	-30...+180 °C	-10...+70 °C	-10...+50 °C	-10...+70 °C	-30...+80 °C
Starting torque/pin	1.5 Nm	1.5 Nm	1.5 Nm	1.5 Nm	1.5 Nm

Technical data - Large measuring wheels

	MR512	MR542	MR552	MR562	MR592
Circumference	50 cm	50 cm	50 cm	50 cm	50 cm
Outer diameter	159.15 mm	159.15 mm	159.15 mm	159.15 mm	159.15 mm
Surface profile	cross knurl	smooth	smooth	knopped rubber	knurled
Surface material	Aluminium	Hytrel TPE-E	Vulkollan PUR	NBR Nitril	Hytrel TPE-E
Wheel material	Aluminium	Plastic	Aluminium	Aluminium	Plastic
Surface hardness, approx.	-	90° Shore A	94° Shore A	55° ±5° Shore A	90° Shore A
Operating temperature	-30...+180 °C	-10...+70 °C	-30...+80 °C	-10...+50 °C	-10...+70 °C
Starting torque/pin	3 Nm	3 Nm	3 Nm	3 Nm	3 Nm

Appropriate material to be measured

Recommendend Surface	Suitable material
Hytrel grooved	Plastic, painted material, paper, Cardboard, wood, metal, textiles
Hytrel smooth	Plastic, painted material, paper, Cardboard, wood, metal, textiles
Knurled	Cardboard, wood, (textiles)
Knopped rubber	Textiles, cloth
Vulkollan smooth	Plastic, painted material, paper, Cardboard, wood, metal, wire

Measuring accuracy

Precise measuring results of a meter counter with measuring wheel depend on:

- Kind of measured material
- Contact angle
- Torque of counter or encoder
- Feeding speed
- Strain of measured material
- Surface roughness
- Contact pressure of material against measuring wheel
- Elasticity of measured material
- Diametrical tolerance of the measuring wheel

Part number - 20 cm circumference

MR211. A

Bore
04 \varnothing 4 mm
07 \varnothing 7 mm

MR241. D

Bore
04 \varnothing 4 mm
05 \varnothing 5 mm
06 \varnothing 6 mm
07 \varnothing 7 mm
10 \varnothing 10 mm

Part number - 50 cm circumference

MR512. A

Bore
07 \varnothing 7 mm
10 \varnothing 10 mm

MR542. D

Bore
06 \varnothing 6 mm
07 \varnothing 7 mm
10 \varnothing 10 mm
12 \varnothing 12 mm

MR261. A

Bore
04 \varnothing 4 mm
06 \varnothing 6 mm
07 \varnothing 7 mm
10 \varnothing 10 mm

MR291. D

Bore
04 \varnothing 4 mm
05 \varnothing 5 mm
06 \varnothing 6 mm
07 \varnothing 7 mm
10 \varnothing 10 mm

MR552. A

Bore
07 \varnothing 7 mm
10 \varnothing 10 mm

MR562. A

Bore
07 \varnothing 7 mm
10 \varnothing 10 mm

Part number - 1 foot circumference

MR752. A

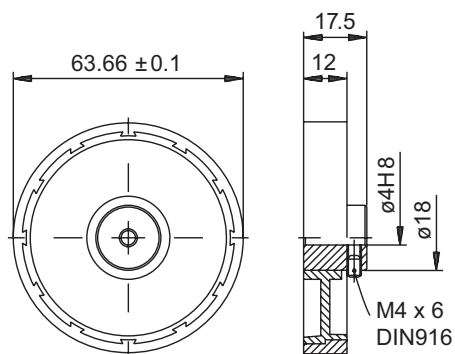
Bore
04 \varnothing 4 mm
07 \varnothing 7 mm
10 \varnothing 10 mm

MR592. D

Bore
06 \varnothing 6 mm
07 \varnothing 7 mm
10 \varnothing 10 mm
12 \varnothing 12 mm

Dimensions

MR241, MR291



MR542, MR592

