

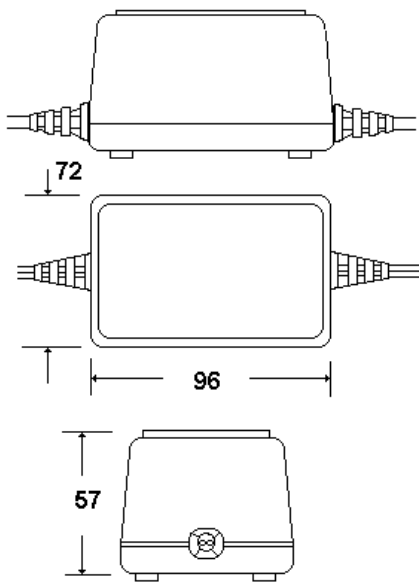
PRODUCT *UL/CSA* AC/AC Adaptor

EI-60/66 AM- Series **for Credit Card Reader**

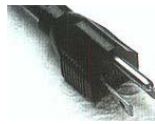
Descriptions:

These models were designed to EI-60 or 66 core size. It provided a SVT AC cable with US 3 prong plug for input and provided a 6FT lead wire with Din plug for output . These power supplies offered single or dual AC output voltages and currents. Table type designed only.

Outline: unit in mm Case (EI-60) size: 96x72x57 (LxWxH) mm



Input Plug



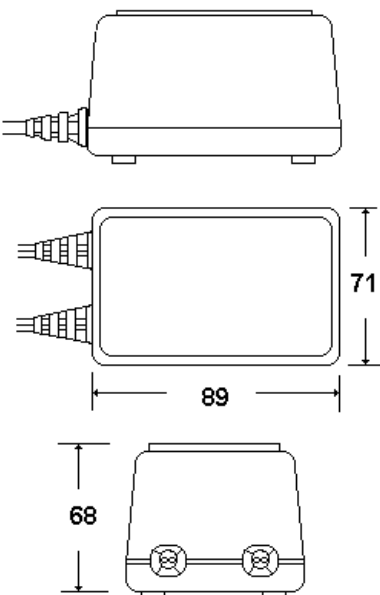
SVT AWG#18/3C
(With grounding)

Output Plug

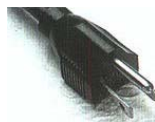


Din Plug

Outline: unit in mm Case (EI-66) size: 89x71x68 (LxWxH) mm

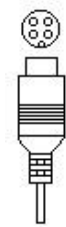


Input Plug



SVT AWG#18/3C
(With grounding)

Output Plug



Din Plug

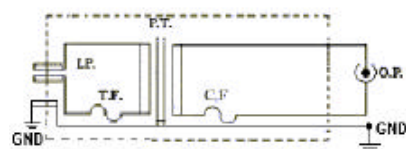
Model List

MODEL NO.	OUTPUT RATING		SAFETY		Core
	V (AC)	mA	UL	CSA	
AM-2285AB	22/8.5	1500/1000	*	*	60
AM-93400A	9	3400	*	*	66
AM-221500A	22	1500	*	*	66
AM-1319AB	13.7/19	1000/500	*	*	66

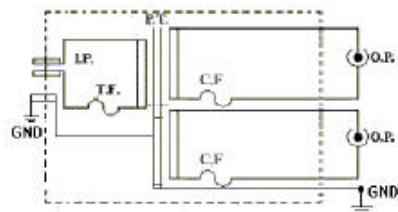
GENERAL SPECIFICATIONS

Input voltage	120Vac 60Hz
Rated output rating	Output VAC ± 5%
Output no-load voltage	120% output voltage Max. (Nom.)
Exciting current	110mA Max.
Protection	Thermal fuse on primary winding Current fuse in secondary circuit
Dielectric strength	Input – Output 1.24 KV for 1 minute
Insulation resistance	500VDC 100MΩ Minimum
Efficiency	70% Normally @ rated load
Temperature rise	75 deg Max. @ rated load
Applicable standard	UL 1310 & CSA 22.2 No.223
Agency safety	UL/CSA
Normal operating environment	-10 ℃ ~ 40 ℃ 20% ~ 80% R.H
Storage environment	-20 ℃ ~ 70 ℃ 20% ~ 90% R.H

Circuit drawing:



For single output



For dual output

Both primary and secondary connected to core for grounding

