

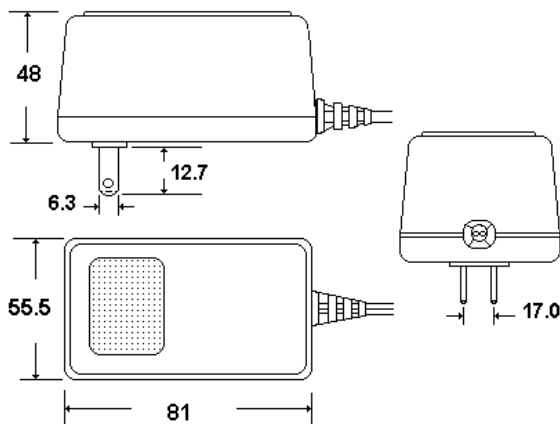
PRODUCT *UL/CSA* AC/AC Adaptor
EI-48 AM- Series

Model List

Descriptions:

These models were designed to EI-48 core size. It provided US 2 prong plug for input and provided a 6FT lead wire with coax plug for output .
These power supplies offered varies AC output voltages and currents.
Plug-in type designed only.

Outline: unit in mm Case size: 81x55.5x48 (LxWxH) mm

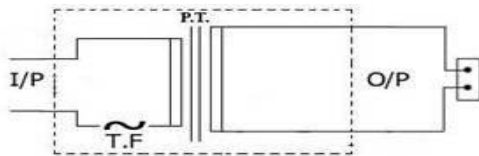


MODEL NO.	OUTPUT RATING		SAFETY MARKING		
	V (AC)	mA	UL	C-UL	CSA
AM-851500A	8.5	1500	*		*
AM-91500A	9	1500	*		*
AM-121000A	12	1000	*		*
AM-121200A	12	1200	*		*
AM-121500A	12	1500	*		*
AM-1351500A	13.5	1500	*		*
AM-151000A	15	1000	*		*
AM-181000A	18	1000	*		*

GENERAL SPECIFICATIONS

Input voltage	120Vac 60Hz
Rated output rating	8.5~18VAC ±5% @ 18VA Max.
Output no-load voltage	125% output voltage Max. (Nom.)
Exciting current	80mA Max.
Protection	115℃ thermal fuse on primary winding
Dielectric strength	Input – Output 1.24 KV for 1 minute
Insulation resistance	500VDC 100MΩ Minimum
Efficiency	70% Normally @ rated load
Temperature rise	75 deg Max. @ rated load
Applicable standard	UL 1310 & CSA 22.2 No.223
Agency safety	UL/CSA
Normal operating environment	-10℃ ~ 40℃ 20% ~ 80% R.H
Storage environment	-20℃ ~ 70℃ 20% ~ 90% R.H

Circuit Drawing:



I/P: Input plug (US 2 pin UL 498)

P.T: Transformer EI-48 open core

T.F: Thermal fuse 115℃

O/P: Output plug (coax plug) Output cable: AWG# 22 UL 2468

Case material: NORYL SE-100P or SE-100 UL 94V-1

Doc. UL48AC-01 Rev. A-0



Applications:

AC Motor
Modem
Business equipment
Consumer Appliance
And More ...

