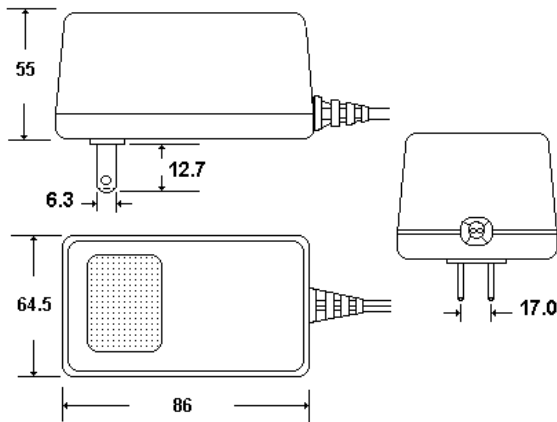


**PRODUCT** *UL/CSA* AC/DC Adaptor  
EI-57 AM- Series

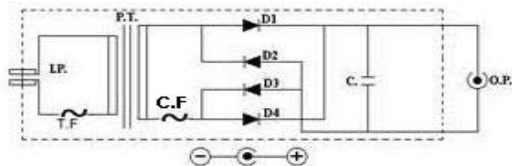
**Descriptions:**

These models were designed to EI-57 core size. It provided US 2 prong plug for input and provided a 6FT lead wire with coax plug for output .  
These power supplies offered varies DC output voltages and currents.  
Plug-in type designed only.

**Outline: unit in mm** Case size: 86x64.5x55 (LxWxH) mm



**Circuit Drawing:**



I/P: Input plug (US 2 pin UL 498)  
D1~D4: Diode 1.5A~3.0A 50V Minimum.  
P.T: Transformer EI-57 open core T.F: Thermal fuse 115 °C  
C: Capacitor 1000uF/16V 85 °C Min. C.F: Current fuse 5A or 3.5A  
O/P: Output plug (coax plug) Output cable: AWG# 22 UL 2468  
Case material: NORYL SE-100P or SE-100 UL 94V-1



**Applications:**

DC Motor  
Modem  
Business equipment  
Consumer Appliance  
And More ...



**Model List**

MODEL NO.	OUTPUT RATING		SAFETY MARKING		
	V (DC)	mA	UL	C-UL	CSA
AM-91500	9	1500	*		*
AM-121000	12	1000	*		
AM-121500	12	1500	*		*
AM-1251100	12	1100	*		*
AM-1351500	13.5	1500	*		*
AM-151000	15	1000	*		*
AM-18600	18	600	*		
AM-181000	18	1000	*		
AM-24500	24	500	*		
AM-24700	24	700	*	*	
AM-24750	24	750	*		*

**GENERAL SPECIFICATIONS**

Input voltage	120Vac 60Hz
Rated output rating	9~24VDC ± 5% @ 18VA Max.
Output no-load voltage	150% output voltage Max. (Nom.)
Exciting current	150mA Max.
Protection	Class 2 non-inherently limit
24VDC output	3.5A current fuse in secondary
Under 24VDC	5.0A current fuse in secondary
AM-24700	without secondary current fuse
Ripple Noise	900mV R.M.S Max.
Dielectric strength	Input – Output 1.24 KV for 1 minute
Insulation resistance	500VDC 100MΩ Minimum
Efficiency	57% Normally @ rated load
Temperature rise	75 deg Max. @ rated load
Applicable standard	UL 1310 & CSA 22.2 No.223
Agency safety	UL/CUL/CSA
Normal operating environment	-10 °C ~ 40 °C 20% ~ 80% R.H
Storage environment	-20 °C ~ 70 °C 20% ~ 90% R.H

Doc. UL57DC-01 Rev. A-0