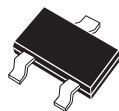


CMCS5062
CMCS5064
CMCS5066

**SURFACE MOUNT
SILICON CONTROLLED RECTIFIER**



SC-59 CASE

CentralTM Semiconductor Corp.

DESCRIPTION:

The CENTRAL SEMICONDUCTOR CMCS5062, CMCS5064 and CMCS5066 types are epoxy molded PNP Silicon Controlled Rectifiers manufactured in an SC-59 case, designed for control systems and sensing circuit applications.

MARKING CODES: CMCS5062: CP2B
CMCS5064: CP2D
CMCS5066: CP2F

MAXIMUM RATINGS: ($T_A=25^\circ\text{C}$)

	SYMBOL	CMCS5062	CMCS5064	CMCS5066	UNITS
Peak Repetitive Off-State Voltage	V_{DRM}	200	400	600	V
Peak Repetitive Reverse Voltage	V_{RRM}	200	400	600	V
RMS On-State Current	$I_T(RMS)$		0.8		A
Average On-State Current ($T_C=67^\circ\text{C}$)	$I_T(AV)$		0.51		A
Power Dissipation	P_D		350		mW
Operating and Storage					
Junction Temperature	T_J, T_{stg}		-65 to +150		$^\circ\text{C}$
Thermal Resistance	θ_{JA}		357		$^\circ\text{C/W}$

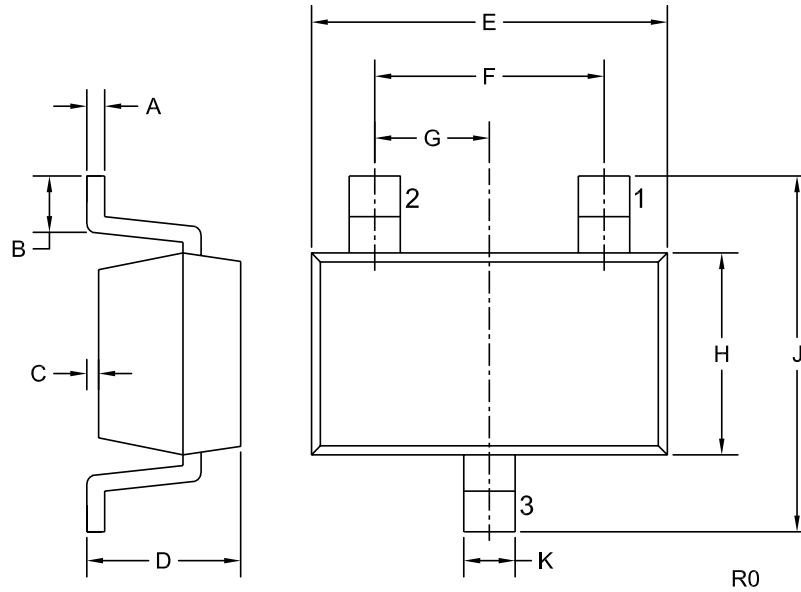
ELECTRICAL CHARACTERISTICS: ($T_A=25^\circ\text{C}$ unless otherwise noted)

SYMBOL	TEST CONDITIONS	CMCS5062		CMCS5064		CMCS5066		UNITS
		MIN	MAX	MIN	MAX	MIN	MAX	
I_{DRM}	$V_D = \text{Rated } V_{DRM}, R_{GK} = 1\text{K}\Omega$		1.0		1.0		1.0	μA
I_{RRM}	$V_D = \text{Rated } V_{DRM}, R_{GK} = 1\text{K}\Omega$		1.0		1.0		1.0	μA
I_{DRM}	$V_D = \text{Rated } V_{DRM}, R_{GK} = 1\text{K}\Omega, T_C = 125^\circ\text{C}$		50		50		50	μA
I_{RRM}	$V_D = \text{Rated } V_{DRM}, R_{GK} = 1\text{K}\Omega, T_C = 125^\circ\text{C}$		50		50		50	μA
V_T	$I_T = 1.2\text{A}$		1.7		1.7		1.7	V
I_{GT}	$V_D = 7.0\text{V}, R_L = 100\Omega, R_{GK} = 1\text{K}\Omega$		200		200		200	μA
V_{GT}	$V_D = 7.0\text{V}, R_L = 100\Omega, R_{GK} = 1\text{K}\Omega$		0.8		0.8		0.8	V
V_{GD}	$V_D = \text{Rated } V_{DRM}, R_L = 100\Omega, T_C = 125^\circ\text{C}$	0.1		0.1		0.1		V
I_H	$V_D = 7.0, R_{GK} = 1\text{K}\Omega$		5.0		5.0		5.0	mA
t_{ON}	$V_D = \text{Rated } V_{DRM}, I_{GT} = 1.0\text{mA}, R_{GK} = 1.0\Omega,$ $di/dt = 6.0\text{A}/\mu\text{s}$		2.8 TYP		2.8 TYP		2.8 TYP	μs

R0 (7-March 2005)

**SURFACE MOUNT
SILICON CONTROLLED RECTIFIER**

MECHANICAL OUTLINE - SC-59



SYMBOL	DIMENSIONS			
	INCHES		MILLIMETERS	
	MIN	MAX	MIN	MAX
A	0.004	0.010	0.09	0.26
B	0.008	0.024	0.20	0.60
C	0.000	0.004	0.00	0.10
D	0.035	0.051	0.90	1.30
E	0.106	0.122	2.70	3.10
F	0.075		1.90	
G	0.037		0.95	
H	0.051	0.067	1.30	1.70
J	0.098	0.118	2.50	3.00
K	0.014	0.020	0.35	0.50

SC-59 (REV: R0)

LEAD CODE:

- 1) CATHODE
- 2) GATE
- 3) ANODE

MARKING CODES:

- CMCS5062: CP2B
- CMCS5064: CP2D
- CMCS5066: CP2F

R0 (7-March 2005)