

FEATURES

■ General

- High-performance CD-ROM decoder supports disc speeds up to 45× (6750 Kbytes/sec.)
- CD-DSP data transfer rate:
 - Up to 45× drive speed with concurrent ECC correction with no C2 pointers
 - Up to 36× drive speed with concurrent ECC correction with C2 pointers
- Supports Ultra DMA: capable of synchronous DMA data transfer rates up to 33.3 Mbytes/sec.
- Supports 16-bit DRAM interface
- Firmware compatible with all Cirrus Logic CD-ROM decoders (CL-CR3410/'15/'20) and CD-R/RW encoder/decoder devices (CL-CR3460/'3560)
- Fully compatible with the ATAPI Specification SFF-8020, Revision 1.2
- Improved testability using scan methodology
- 128-pin SQFP package

■ CD-ROM DSP Interface

- Supports Sony-Philips® CD-ROM, CD-I, and CD-DA™ (CD-Digital Audio) formats
- Supports CD-TEXT Mode format
- Supports various compact disc DSP controllers
- Supports programmable pseudo-sync-mark insertion for CD-ROM sector synchronization
- Supports automatic target sector header search for CD-ROM

(cont.)

High-Performance 45× ATAPI CD-ROM Decoder

OVERVIEW

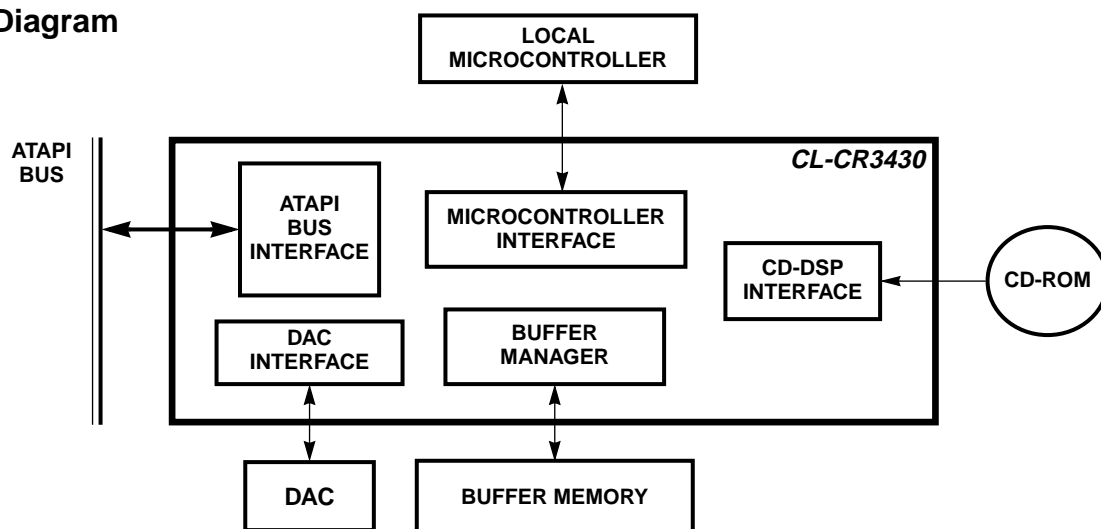
The CL-CR3430 is the newest addition to the Cirrus Logic family of high-performance ATAPI CD-ROM decoders, supporting disc speeds up to 45×. In addition, it also supports the latest addition to the ATA interface specification, Ultra DMA/33, allowing host speeds up to 33.3 Mbytes/sec.

This device is firmware compatible with all Cirrus Logic CD-ROM and CD-R/RW products, allowing customers to upgrade quickly and efficiently. In a system, the CL-CR3430 is configured with an external buffer memory (8- or 16-bit DRAM), a local microcontroller, and system RAM and ROM to create a complete CD-ROM solution.

Other performance features include support for 16-bit-wide DRAMs. This feature allows the CL-CR3430 to support PIO Mode 4 without turning on IOCHRDY.

(cont.)

Functional Block Diagram



FEATURES (cont.)

- Sector header validity check is done in hardware during data transfer
- Realtime CD-ROM layered ECC correction with up to 64 programmable sets of P/Q-word corrections per sector
- Supports realtime subcode error correction in CD-DA (CD-Digital Audio) mode
- Supports Philips® subcode interface

■ Audio DAC Interface

- Supports ADB for CD-DA audio play mode
- Supports buffer streaming during the Disc-to-DAC data transfer
- Supports various DACs

■ ATAPI Host Interface

- Supports Synchronous Ultra DMA/33 data transfer protocol with data rate up to 33.3 Mbytes/sec.
- Supports ATA PIO Modes 3 and 4 transfers without IOCHRDY and supports DMA Modes 1 and 2
- FIFOs synchronize buffer RAM access with the host bus and the DSP data transfer
- Hardware implementation of:
 - ATAPI packet command
 - ATAPI reset command
- Supports any host speed with programmable and auto wait-state generation

- True realtime hardware/software ATAPI compatibility
- All ATAPI command and control registers contained in the CL-CR3430 register set
- Direct interface to ATAPI bus with programmable 4- or 12-mA drivers
- Can daisy-chain two ATA- or ATAPI-embedded drives

■ Buffer Manager

- Supports 8- and 16-bit DRAM
- Dual-port circular buffer control with access-priority resolver
- Supports streaming operation
- Direct addressing of up to 4 Mbytes of DRAM
- Supports variable buffer segmentation
- Programmable timing control for DRAM
- Host overrun control

■ Microcontroller Interface

- Supports high-speed Intel®- and Motorola®-type microcontrollers
- Supports nonmultiplexed and multiplexed address and data buses
- Interrupt- or polled-microcontroller interface
- Three-level power-down capability when idle and automatic power-up when command is received

OVERVIEW (cont.)

The built-in ADB (audio data buffering) interface eliminates slowing the motor down from 45× to 1× for digital audio data. This feature is especially useful in CAV (constant angular velocity) designs where motor speed remains constant regardless of the data type, either audio or data, read from the disc.

The CL-CR3430 includes support for CD-TEXT mode, a new subcode format. In this mode, the subcode R-W data is stored in the buffer without de-interleaving and de-scrambling, allowing storage of short messages such as song titles.

The CL-CR3430 supports realtime layered ECC correction, which is programmable for up to 64 P/Q-word corrections per sector. Also, subcode R-W correction is supported in the CD-DA (CD-Digital Audio) mode.

The CL-CR3430 DSP interface supports many CD-ROM DSPs from various manufacturers. It includes three types of interface signals: the main

data channel signals, subcode channel signals, and serial DSP programming signals.

The ATAPI host interface is designed for compliance with ATAPI Specification SFF-8020, Revision 1.2. The ATAPI Command and Control Block registers are contained in the CL-CR3430 register set, allowing both host and local microcontroller accesses. The CL-CR3430 supports some ATAPI protocols in hardware without microcontroller intervention (such as ATAPI packet and ATAPI reset commands).

The buffer manager controls the flow of data between the host and DSP interfaces. These interfaces store and retrieve data to/from the external buffer memory using interleaved access cycles. The actual buffer memory is implemented with DRAMs. The buffer manager can be programmed to provide all the necessary address and control signals for RAM devices with varying access times and memory configurations.

ADVANTAGES

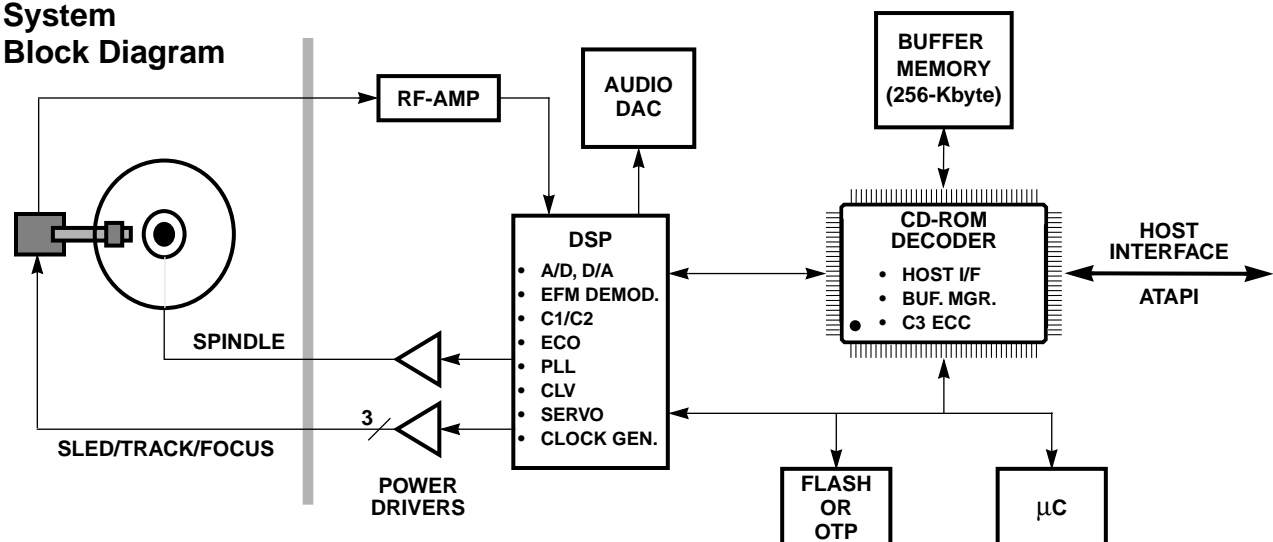
Unique Features

- CD-DSP data transfer rates up to 45× disc speed
- Supports Ultra DMA/33 transfer rate of 33.3 Mbytes/sec., and ATA PIO Modes 3 and 4, DMA Modes 1 and 2 transfer rates up to 16.6 Mbytes/sec.
- Implements ADB (audio data buffering) interface in CD-DA audio play mode
- Register-compatible with Cirrus Logic CD-ROM and CD-R/RW products
- Supports Sony-Philips® CD-ROM, CD-I, CD-TEXT, and CD-DA™ (CD-Digital Audio) formats
- Supports automatic target sector header search for CD-ROM
- Sector header validity check is done in hardware during data transfer
- Realtime subcode error correction in CD-DA mode
- Realtime CD-ROM layered ECC error correction with up to 64 programmable sets of P/Q-word corrections per sector
- Automated ATAPI packet and reset commands

Benefits

- Supports CD-ROM speeds above the current industry requirements.
- Enables transfer rates of the highest performance systems.
- No need to slow motor speed anywhere from 45× to 1× for audio data in CAV implementations.
- Preserves existing firmware base, resulting in quicker time to market.
- Can be used in all implementations of CD technology.
- Improves performance and reduces firmware requirements.
- Exceeds advanced ECC requirements of state-of-the-art CD-ROM designs for a variety of media/performance combinations.
- Improves system performance and lowers firmware overhead.

System Block Diagram



Direct Sales Offices

Domestic

N. CALIFORNIA

Fremont
TEL: 510/623-8300
FAX: 510/252-6020

S. CALIFORNIA

Westlake Village
TEL: 805/371-5860
FAX: 805/371-5861

NORTHWESTERN AREA

Portland, OR
TEL: 503/620-5547
FAX: 503/620-5665

SOUTH CENTRAL AREA

Austin, TX
TEL: 512/255-0080
FAX: 512/255-0733

Irving, TX
TEL: 972/252-6698
FAX: 972/252-5681

Houston, TX
TEL: 281/257-2525
FAX: 281/257-2555

NORTHEASTERN AREA

Andover, MA
TEL: 508/474-9300
FAX: 508/474-9149

SOUTHEASTERN AREA

Raleigh, NC
TEL: 919/859-5210
FAX: 919/859-5334

Boca Raton, FL
TEL: 407/241-2364
FAX: 407/241-7990

International

CHINA

Beijing
TEL: 86/10-642-807-83-5
FAX: 86/19-672-807-86

FRANCE

Paris
TEL: 33/1-48-12-2812
FAX: 33/1-48-12-2810

GERMANY

Herrsching
TEL: 49/81-52-92460
FAX: 49/81-52-924699

HONG KONG

Tsimshatsui
TEL: 852/2376-0801
FAX: 852/2375-1202

ITALY

Milan
TEL: 39/2-3360-5458
FAX: 39/2-3360-5426

JAPAN

Tokyo
TEL: 81/3-3340-9111
FAX: 81/3-3340-9120

KOREA

Seoul
TEL: 82/2-565-8561
FAX: 82/2-565-8565

SINGAPORE

TEL: 65/743-4111
FAX: 65/742-4111

TAIWAN

Taipei
TEL: 886/2-718-4533
FAX: 886/2-718-4526

UNITED KINGDOM

London, England
TEL: 44/1727-872424
FAX: 44/1727-875919

The Company

Headquartered in Fremont, California, Cirrus Logic is a leading manufacturer of advanced integrated circuits for desktop and portable computing, telecommunications, and consumer electronics. The Company applies its system-level expertise in analog and digital design to innovate highly integrated, software-rich solutions.

Cirrus Logic has developed a broad portfolio of products and technologies for applications spanning multimedia, graphics, communications, system logic, mass storage, and data acquisition.

The Cirrus Logic formula combines innovative architectures in silicon with system design expertise. We deliver complete solutions — chips, software, evaluation boards, and manufacturing kits — on-time, to help you win in the marketplace.

Cirrus Logic's manufacturing strategy ensures maximum product quality, availability, and value for our customers.

Talk to our systems and applications specialists; see how you can benefit from a new kind of semiconductor company.

Copyright © 1997 Cirrus Logic Inc. All rights reserved.

Preliminary product information describes products that are in production, but for which full characterization data is not yet available. Cirrus Logic Inc. has made best efforts to ensure that the information contained in this document is accurate and reliable. However, the information is subject to change without notice. No responsibility is assumed by Cirrus Logic Inc. for the use of this information, nor for infringements of patents or other rights of third parties. This document implies no license under patents, copyrights, or trade secrets. Cirrus Logic, AccuPak, Clear3D, DirectVPM, DIVA, FastPath, FasText, FeatureChips, FilterJet, Get into it, Good Data, Laguna3D, MediaDAC, MotionVideo, RSA, SimulSCAN, S/LA, SMASH, SofTarget, Systems in Silicon, TextureJet, TVTap, UXART, Video Port Manager, VisualMedia, VPM, V-Port, Voyager, WavePort, and WebSet are trademarks of Cirrus Logic Inc., which may be registered in some jurisdictions. Other trademarks in this document belong to their respective companies. CRUS and Cirrus Logic International, Ltd. are trade names of Cirrus Logic Inc.

Cirrus Logic Inc.

3100 West Warren Ave., Fremont, CA 94538
TEL: 510/623-8300 FAX: 510/252-6020

Publications Ordering: 800/359-6414 (USA) or 510/249-4200
World Wide Web: <http://www.cirrus.com>

253430-001