

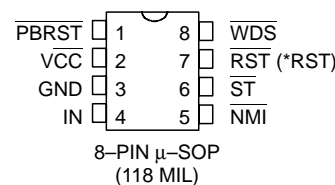
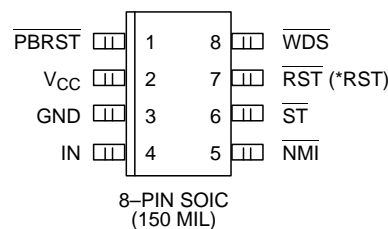
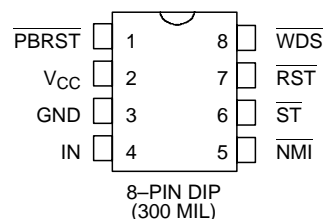
### FEATURES

- Halts and restarts an out-of-control microprocessor
- Holds microprocessor in check during power transients
- Automatically restarts microprocessor after power failure
- Monitors pushbutton for external override
- Accurate 5%, 10% or 20% resets for 3.3 systems and 5% or 10% resets for 5.0 volt systems
- Eliminates the need for discrete components
- 3.3 volt 20% tolerance for use with 3.0 volt systems
- Pin compatible with the MAXIM MAX705/MAX706 in 8-pin DIP and 8-pin SOIC
- 8-pin DIP, 8-pin SOIC and 8-pin  $\mu$ -SOP packages
- Industrial temperature range  $-40^{\circ}\text{C}$  to  $+85^{\circ}\text{C}$

### DESCRIPTION

The DS1705/DS1706 3.3 or 5.0 Volt MicroMonitor monitors three vital conditions for a microprocessor: power supply, software execution, and external override. A precision temperature compensated reference and comparator circuit monitors the status of  $V_{CC}$  at the device and at an upstream point for maximum protection. When the sense input detects an out-of-tolerance

### PIN ASSIGNMENT



See Mech. Drawings  
Section

DS1705 and DS1706\_/R/S/T (\*DS1706L and DS1706P)

### PIN DESCRIPTION

$\overline{\text{PBRST}}$	– Pushbutton Reset Input
$V_{CC}$	– Power Supply
GND	– Ground
IN	– Input
$\overline{\text{NMI}}$	– Non-maskable Interrupt
$\overline{\text{ST}}$	– Strobe Input
$\overline{\text{RST}}$	– Active Low Reset Output
*RST	– Active High Reset Output (DS1706P and DS1706L only)
$\overline{\text{WDS}}$	– Watchdog Status Output

condition a non-maskable interrupt is generated. As the voltage at the device degrades an internal power fail signal is generated which forces the reset to an active state. When  $V_{CC}$  returns to an in-tolerance condition, the reset signal is kept in the active state for a minimum of 130 ms to allow the power supply and processor to stabilize.

The second function the DS1705/DS1706 performs is pushbutton reset control. The DS1705/DS1706 debounces the pushbutton input and guarantees an active reset pulse width of 130 ms minimum.

The third function is a watchdog timer. The DS1705/DS1706 has an internal timer that forces the WDO signal to the active state if the strobe input is not driven low prior to time-out.

## OPERATION

### Power Monitor

The DS1705/DS1706 detects out-of-tolerance power supply conditions and warns a processor-based system of impending power failure. When  $V_{CC}$  falls below the minimum  $V_{CC}$  tolerance, a comparator outputs the  $\overline{RST}$  (or RST) signal.  $\overline{RST}$  (or RST) is an excellent control signal for a microprocessor, as processing is stopped at the last possible moment of valid  $V_{CC}$ . On power-up,  $\overline{RST}$  (or RST) are kept active for a minimum of 130 ms to allow the power supply and processor to stabilize.

### Pushbutton Reset

The DS1705/DS1706 provides an input pin for direct connection to a push-button reset (see Figure 2). The pushbutton reset input requires an active low signal. Internally, this input is debounced and timed such that a  $\overline{RST}$  (or RST) signal of at least 130 ms minimum will be generated. The 130 ms delay commences as the pushbutton reset input is released from the low level. The push-button can be initiated by connecting the  $\overline{WDS}$  or  $\overline{NMI}$  outputs to the  $\overline{PBRST}$  input as shown in Figure 3.

### Non-Maskable Interrupt

The DS1705/DS1706 generates a non-maskable interrupt ( $\overline{NMI}$ ) for early warning of a power failure. A precision comparator monitors the voltage level at the IN pin relative to an on-chip reference generated by an internal band gap. The IN pin is a high impedance input allowing for a user-defined sense point. An external resistor voltage divider network (Figure 5) is used to interface with high voltage signals. This sense point may be derived from a regulated supply or from a higher DC voltage level closer to the main system power input. Since the IN trip point  $V_{TP}$  is 1.25 volts, the proper values for R1 and R2 can be determined by the equation as shown in Figure 5. Proper operation of the

DS1705/DS1706 requires that the voltage at the IN pin be limited to  $V_{CC}$ . Therefore, the maximum allowable voltage at the supply being monitored ( $V_{MAX}$ ) can also be derived as shown in Figure 5. A simple approach to solving the equation is to select a value for R2 high enough to keep power consumption low, and solve for R1. The flexibility of the IN input pin allows for detection of power loss at the earliest point in a power supply system, maximizing the amount of time for system shut-down between  $\overline{NMI}$  and  $\overline{RST}$  (or RST).

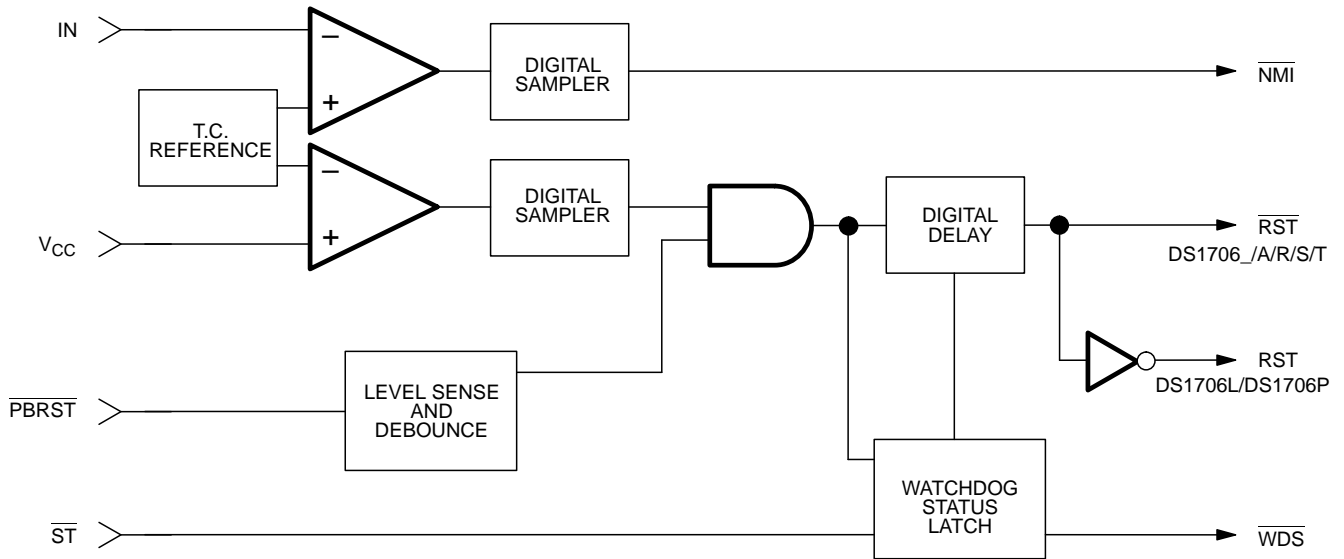
When the supply being monitored decays to the voltage sense point, the DS1705/DS1706 pulses the  $\overline{NMI}$  output to the active state for a minimum 200  $\mu$ s. The  $\overline{NMI}$  power fail detection circuitry also has built-in hysteresis of 100  $\mu$ V. The supply must be below the voltage sense point for approximately 5  $\mu$ s before a low  $\overline{NMI}$  will be generated. In this way, power supply noise is removed from the monitoring function, preventing false interrupts. During a power-up, any detected IN pin levels below  $V_{TP}$  by the comparator are disabled from generating an interrupt until  $V_{CC}$  rises to  $V_{CCTP}$ . As a result, any potential  $\overline{NMI}$  pulse will not be initiated until  $V_{CC}$  reaches  $V_{CCTP}$ .

Connecting  $\overline{NMI}$  to  $\overline{PBRST}$  would allow non-maskable interrupt to generate an automatic reset when an out-of-tolerance condition occurred in a monitored supply. An example is shown in Figure 3.

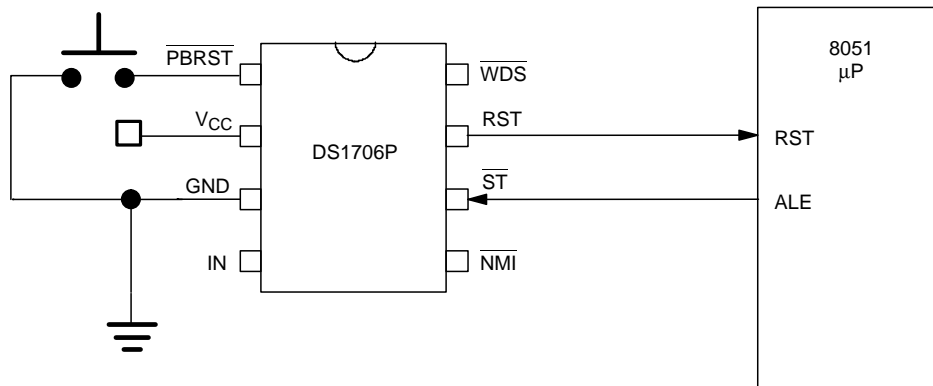
### Watchdog Timer

The watchdog timer function forces  $\overline{WDS}$  signals active when the  $\overline{ST}$  input is not clocked within the 1 second time out period. Timeout of the watchdog starts when  $\overline{RST}$  (or RST) becomes inactive. If a high-to-low transition occurs on the  $\overline{ST}$  input pin prior to time-out, the watchdog timer is reset and begins to time-out again. If the watchdog timer is allowed to time out, the  $\overline{WDS}$  signal is driven active (low) for a minimum of 130 ms. The  $\overline{ST}$  input can be derived from many microprocessor outputs. The typical signals used are the microprocessors address signals, data signals, or control signals. When the microprocessor functions normally, these signals would, as a matter of routine, cause the watchdog to be reset prior to time-out. To guarantee that the watchdog timer does not time-out, a high-to-low transition must occur at or less than the minimum watchdog time-out of 1 second. A typical circuit example is shown in Figure 6.

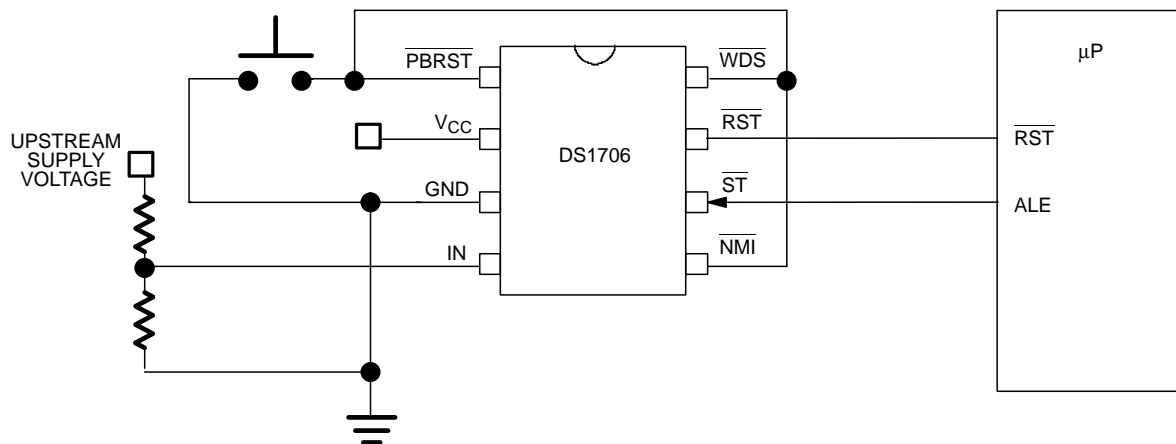
**MICROMONITOR BLOCK DIAGRAM** Figure 1

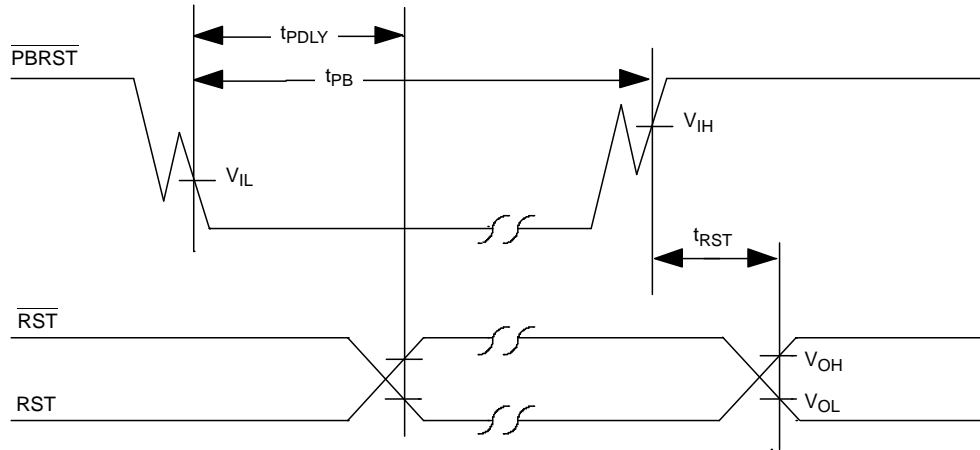
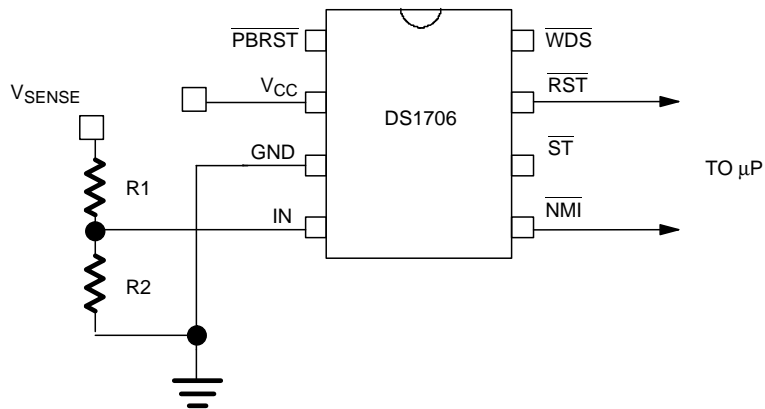


**PUSH-BUTTON RESET** Figure 2



**PUSH-BUTTON RESET CONTROLLED BY NMI AND WDS** Figure 3



**TIMING DIAGRAM: PUSHBUTTON RESET** Figure 4**NON-MASKABLE INTERRUPT CIRCUIT EXAMPLE** Figure 5

$$V_{SENSE} = \frac{R_1 + R_2}{R_2} \times 1.25$$

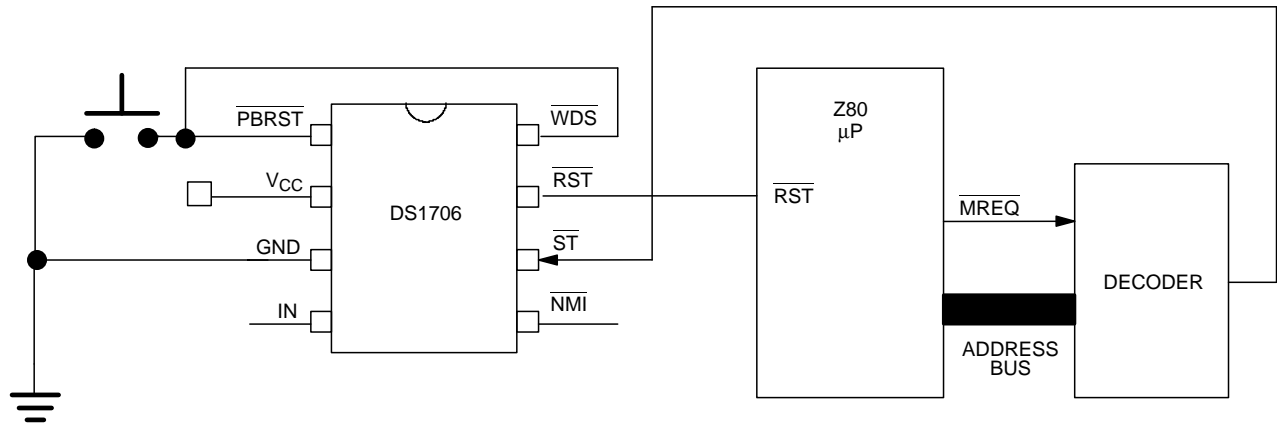
$$V_{MAX} = \frac{V_{SENSE}}{V_{TP}} \times V_{CC}$$

Example:  $V_{SENSE} = 4.50$  volts at the trip point  
 $V_{CC} = 3.3$  volts  
 $10K\Omega = R_2$

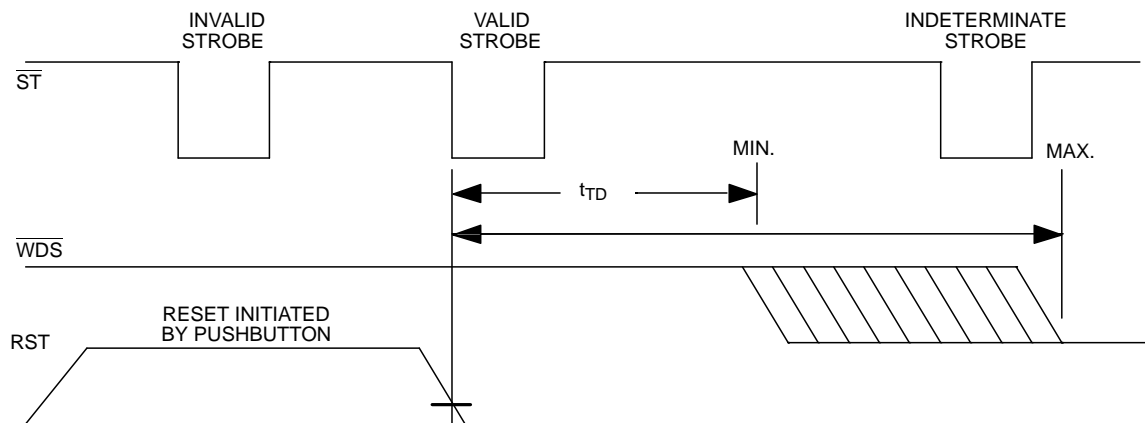
Therefore:  $\frac{4.50}{1.25} \times 3.3 = 12.4$  volts maximum

$$4.5 = \frac{R_1 + 10K}{10K} \times 1.25 \quad R_1 = 26K\Omega$$

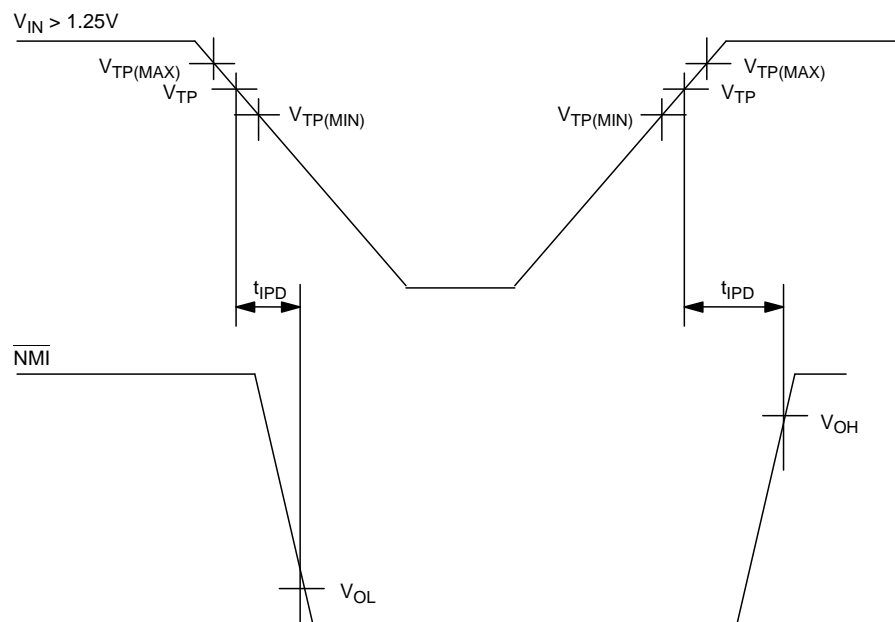
## WATCHDOG TIMER Figure 6

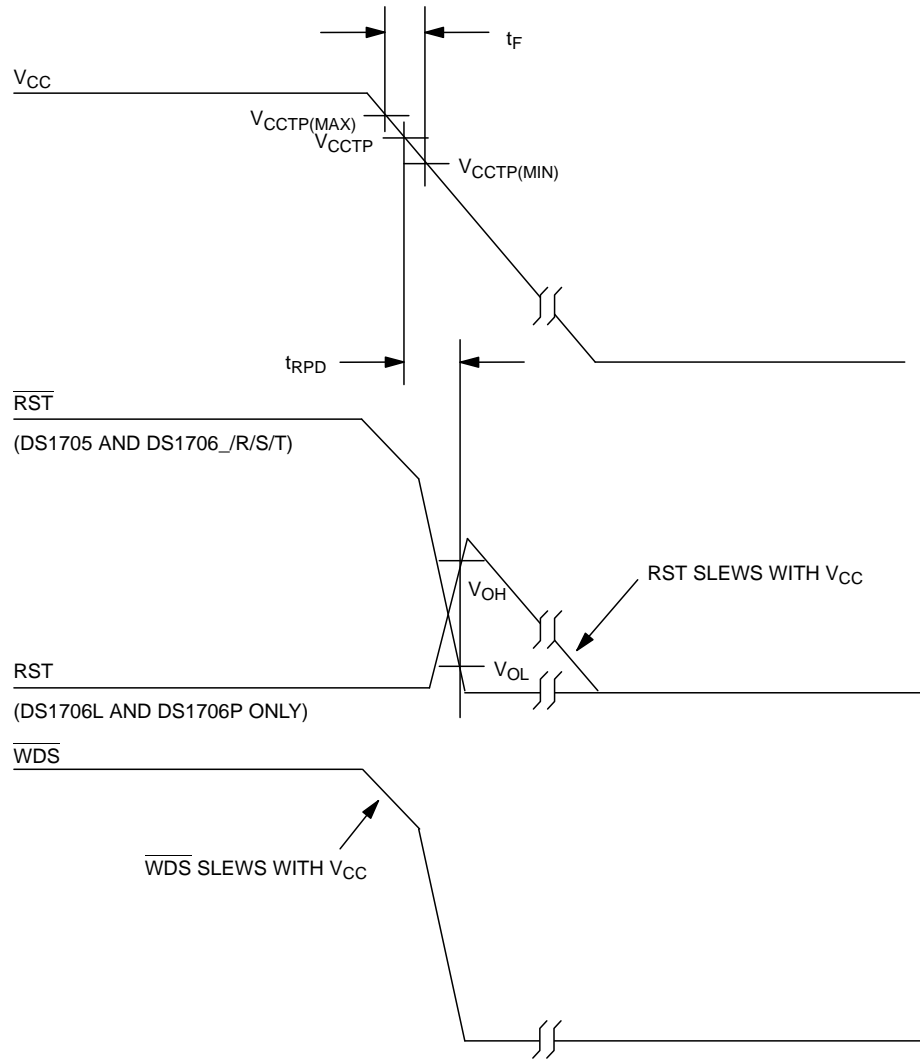


## TIMING DIAGRAM: STROBE INPUT Figure 7

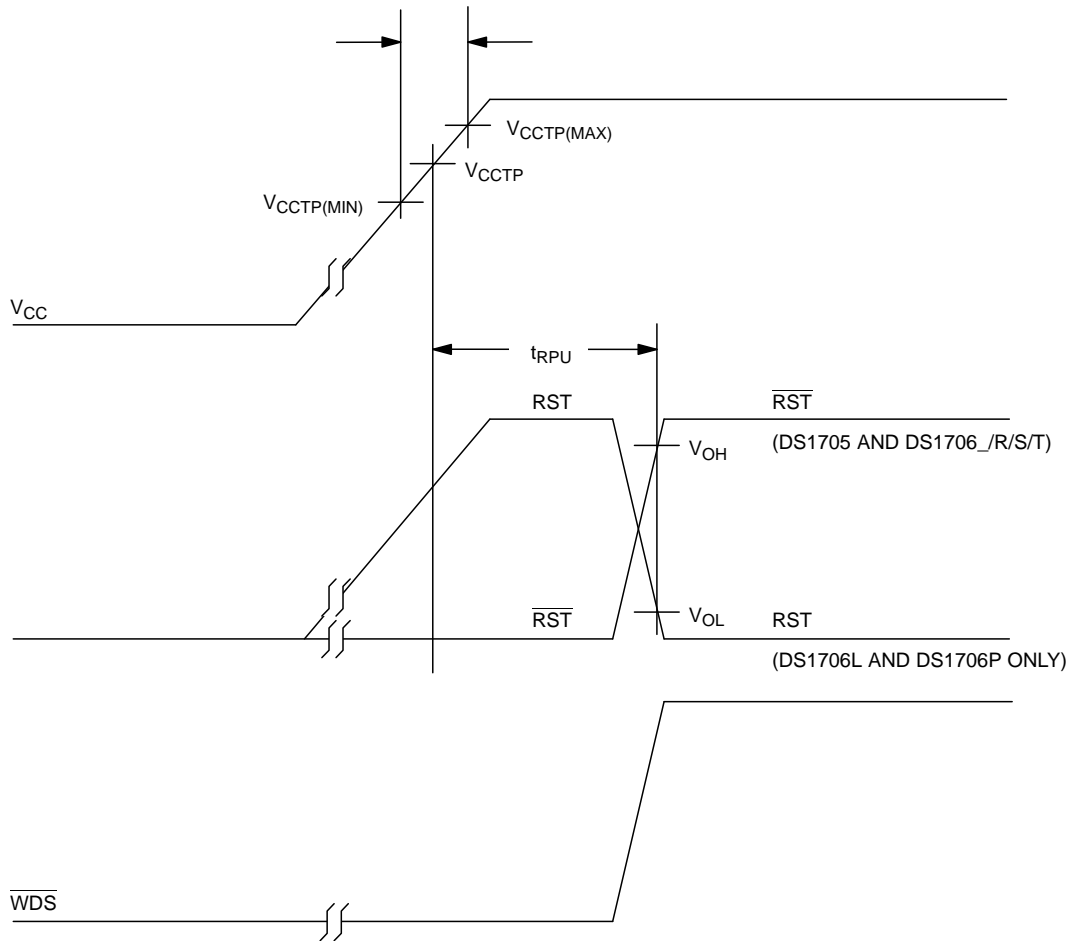


## TIMING DIAGRAM: NON-MASKABLE INTERRUPT Figure 8



**TIMING DIAGRAM: POWER DOWN** Figure 9

## TIMING DIAGRAM: POWER UP Figure 10



**ABSOLUTE MAXIMUM RATINGS\***

Voltage on  $V_{CC}$  Pin Relative to Ground  
 Voltage on I/O Relative to Ground  
 Operating Temperature  
 Storage Temperature  
 Soldering Temperature

-0.5V to +7.0V  
 -0.5V to  $V_{CC} + 0.5V$   
 -40°C to +85°C  
 -55°C to +125°C  
 260°C for 10 seconds

\* This is a stress rating only and functional operation of the device at these or any other conditions above those indicated in the operation sections of this specification is not implied. Exposure to absolute maximum rating conditions for extended periods of time may affect reliability.

**RECOMMENDED DC OPERATING CONDITIONS**

(-40°C to +85°C)

PARAMETER	SYMBOL	MIN	TYP	MAX	UNITS	NOTES
Supply Voltage	$V_{CC}$	1.0		5.5	V	1
$\overline{ST}$ and $\overline{PBRST}$ Input High Level	$V_{IH}$	2.0 $V_{CC}-0.5$		$V_{CC}+0.3$	V	1, 3 1, 4
$\overline{ST}$ and $\overline{PBRST}$ Input Low Level	$V_{IL}$	-0.03		+0.5	V	1

**DC ELECTRICAL CHARACTERISTICS**(-40°C to +85°C;  $V_{CC}=1.2V$  to 5.5V)

PARAMETER	SYMBOL	MIN	TYP	MAX	UNITS	NOTES
$V_{CC}$ Trip Point DS1705/DS1706L	$V_{CCTP}$	4.50	4.65	4.75	V	1
$V_{CC}$ Trip Point DS1706	$V_{CCTP}$	4.25	4.40	4.50	V	1
$V_{CC}$ Trip Point DS1706T	$V_{CCTP}$	3.00	3.08	3.15	V	1
$V_{CC}$ Trip Point DS1706S	$V_{CCTP}$	2.85	2.93	3.00	V	1
$V_{CC}$ Trip Point DS1706P or R	$V_{CCTP}$	2.55	2.63	2.70	V	1
Input Leakage	$I_{IL}$	-1.0		+1.0	$\mu A$	2
Output Current @ 2.4 volts	$I_{OH}$		350		$\mu A$	3
Output Current @ 0.4 volts	$I_{OL}$	10			mA	3
Output Voltage @ -500 $\mu A$	$V_{OH}$	$V_{CC}+-0.3$	$V_{CC}-0.1$		V	3
Operating Current @ $V_{CC} < 5.5$ volts	$I_{CC}$			60	$\mu A$	5
Operating Current @ $V_{CC} < 3.6$ volts	$I_{CC}$			50	$\mu A$	5
IN Input Trip Point	$V_{TP}$	1.20	1.25	1.30	V	1

**CAPACITANCE**(t<sub>A</sub>=25°C)

PARAMETER	SYMBOL	MIN	TYP	MAX	UNITS	NOTES
Input Capacitance	$C_{IN}$			5	pF	
Output Capacitance	$C_{OUT}$			7	pF	

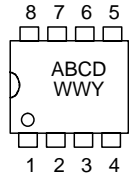


**AC ELECTRICAL CHARACTERISTICS**(-40°C to +85°C;  $V_{CC}=1.2V$  to 5.5V)

PARAMETER	SYMBOL	MIN	TYP	MAX	UNITS	NOTES
$\overline{PBRST} = V_{IL}$	$t_{PB}$	150			ns	
Reset Active Time	$t_{RST}$	130	205	285	ms	
$\overline{ST}$ Pulse Width	$t_{ST}$	10			ns	6
$V_{CC}$ Detect to RST and $\overline{RST}$	$t_{RPD}$		5	8	$\mu s$	9
$V_{CC}$ Slew Rate	$t_F$	20			$\mu s$	
$V_{CC}$ Detect to RST and $\overline{RST}$	$t_{RPU}$	130	205	285	ms	7
$V_{CC}$ Slew Rate	$t_R$	0			ns	
$\overline{PBRST}$ Stable Low to RST and $\overline{RST}$	$t_{PDLY}$			250	ns	
Watchdog Timeout	$t_{TD}$	1.0	1.6	2.2	s	8
$V_{IN}$ Detect to $\overline{NMI}$	$t_{IPD}$		5	8	$\mu s$	9

**NOTES:**

- All voltages are referenced to ground.
- $\overline{PBRST}$  is internally pulled up to  $V_{CC}$  with an internal impedance of 40K $\Omega$  typical and the  $\overline{ST}$  input is internally pulled up to  $V_{CC}$  with an internal impedance of 180K $\Omega$  typical.
- $V_{CC} \geq 2.4$  volts
- $V_{CC} < 2.4$  volts
- Measured with outputs open and all inputs at  $V_{CC}$  or ground.
- Must not exceed  $t_{TD}$  minimum.
- $t_R = 5 \mu s$
- Minimum watchdog timeout tested at 2.7 volts for the 3.3 volt devices and 4.5 volts for the 5.0 volt devices.
- Noise immunity – pulses  $< 2 \mu s$  at  $V_{CCTP}$  minimum will not cause a reset.

**PART MARKING CODES**

8-PIN  $\mu$ -SOP  
(118 MIL)

A, B, C and D represents the device type and tolerance.

**ABCD**

705_	-	DS1705
706_	-	DS1706
706L	-	DS1706L
706P	-	DS1706P
706R	-	DS1706R
706S	-	DS1706S
706T	-	DS1706T

WWY represents the device manufacturing Work  
Week, Year.