

## CH7307C DVI Transmitter

### FEATURES

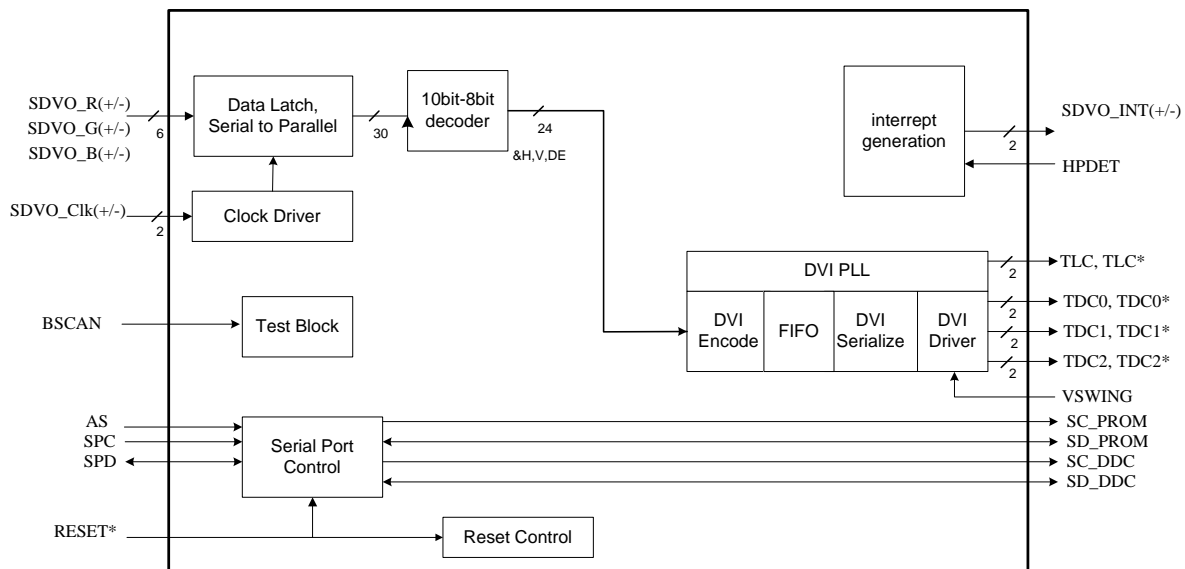
- Digital Visual Interface (DVI) Transmitter up to 165M pixels/second
- DVI low jitter PLL
- DVI hot plug detection
- High-speed SDVO<sup>◇</sup> (1G~2Gbps) AC-coupled serial differential RGB inputs
- Programmable power management
- Fully programmable through serial port
- Configuration through Intel<sup>®</sup> Opcodes<sup>◇</sup>
- Complete Windows and DOS driver support
- Offered in a 48-pin LQFP package
- Boundary scan support

### GENERAL DESCRIPTION

The CH7307C is a Display Controller device, which accepts digital graphics input signal, encodes and transmits data through a DVI link (DFP can also be supported). The device accepts one channel of RGB data over three pairs of serial data ports.

The DVI processor includes a low jitter PLL for generation of the high frequency serialized clock, and all circuitry required to encode, serialize and transmit the data. The CH7307C is able to drive a DFP display at a pixel rate of up to 165MHz, supporting UXGA (1600x1200) resolution displays.

<sup>◇</sup> Intel<sup>®</sup> Proprietary.



**Figure 1:** Functional Block Diagram

## Table of Contents

<b>Features</b>	<b>1</b>
<b>General Description</b>	<b>1</b>
<b>1.0 Pin-Out</b>	<b>3</b>
1.1 Package Diagram	3
1.2 Pin Description	4
<b>2.0 Functional Description</b>	<b>6</b>
2.1 Input Interface	6
2.2 DVI Transmitter	7
2.3 Emission Reduction Clock	7
2.4 Command Interface	7
2.5 Boundary Scan Test	8
<b>3.0 Register Control</b>	<b>10</b>
<b>4.0 Electrical Specifications</b>	<b>11</b>
4.1 Absolute Maximum Ratings	11
4.2 Recommended Operating Conditions	11
4.3 Electrical Characteristics	11
4.4 DC Specifications	12
4.5 AC Specifications	14
<b>5.0 Package Dimensions</b>	<b>16</b>
<b>6.0 Revision History</b>	<b>17</b>

1.0 PIN-OUT

1.1 Package Diagram

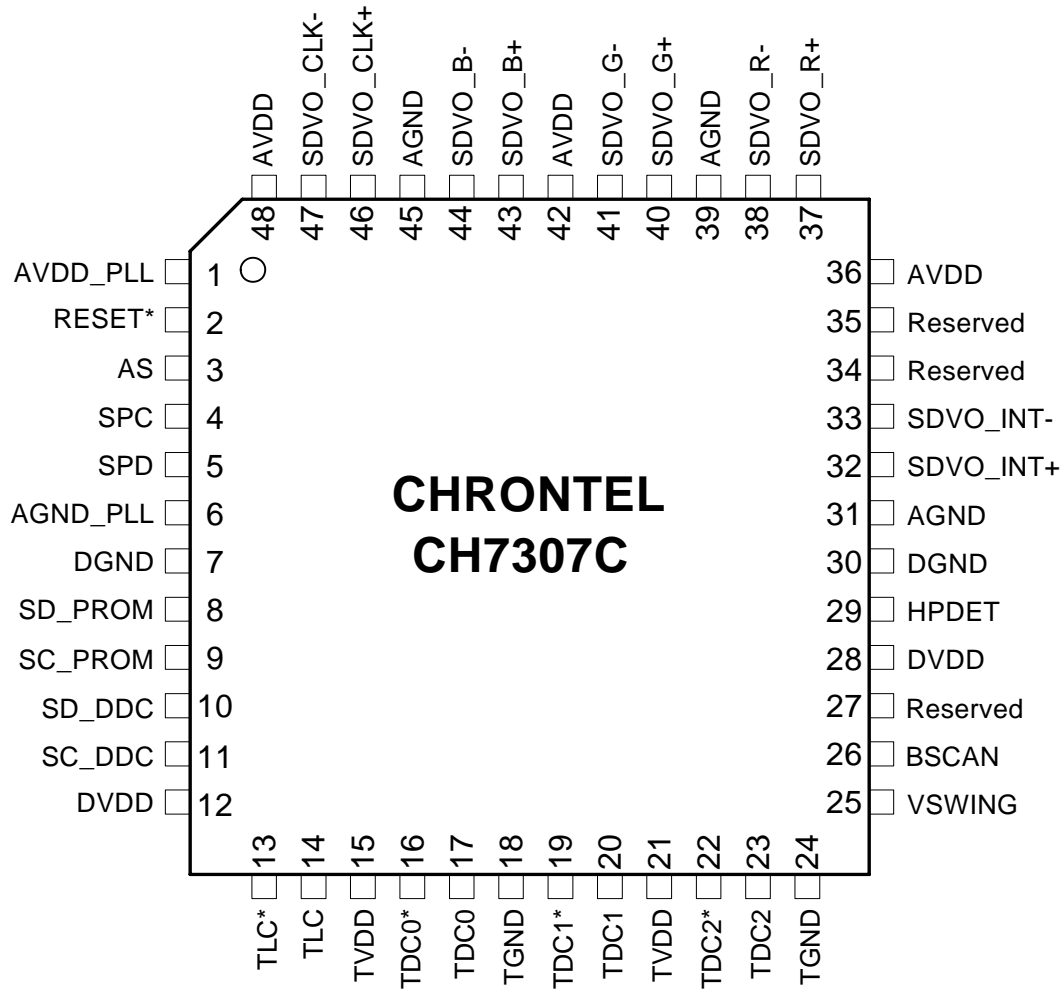


Figure 2: 48-Pin LQFP Pin Out

1.2 Pin Description

Table 1: Pin Description

Pin #	Type	Symbol	Description
2	In	RESET*	<b>Reset* Input</b> (Internal pull-up) When this pin is low, the device is held in the power-on reset condition. When this pin is high, reset is controlled through the serial port register.
3	In	AS	<b>Address Select</b> (Internal pull-up) This pin determines the serial port address of the device (0,1,1,1,0,0,AS*,0). When AS is low the address is 72h, when high the address is 70h.
4	In/Out	SPC	<b>Serial Port Clock Input</b> This pin functions as the clock input/output of the serial port and operates with inputs from 0 to 2.5V. This pin requires an external 4kΩ - 9kΩ pull up resistor to 2.5V.
5	In/Out	SPD	<b>Serial Port Data Input / Output</b> This pin functions as the bi-directional data pin of the serial port and operates with inputs from 0 to 2.5V. Outputs are driven from 0 to 2.5V. This pin requires an external 4kΩ - 9 kΩ pull up resistor to 2.5V.
8	In/Out	SD_PROM	<b>Routed Serial Port Data to PROM</b> This pin functions as the bi-directional data pin of the serial port for PROM on ADD2 card. This pin will require a pull-up resistor to the desired high state voltage. Leave open if unused.
9	In/Out	SC_PROM	<b>Routed Serial Port Clock Output to PROM</b> This pin functions as the clock bus of the serial port to PROM on ADD2 <sup>◇</sup> card. This pin will require a pull-up resistor to the desired high state voltage. Leave open if unused.
10	In/Out	SD_DDC	<b>Routed Serial Port Data to DDC</b> This pin functions as the bi-directional data pin of the serial port to DDC receiver. This pin will require a pull-up resistor to the desired high state voltage. Leave open if unused.
11	In/Out	SC_DDC	<b>Routed Serial Port Clock Output to DDC</b> This pin functions as the clock bus of the serial port to DDC receiver. This pin will require a pull-up resistor to the desired high state voltage. Leave open if unused.
13, 14	Out	TLC*, TLC	<b>DVI Clock Outputs</b> These pins provide the differential clock output for the DVI interface corresponding to data on the TDC[2:0] outputs.
16,17	Out	TDC0*, TDC0	<b>DVI Data Channel 0 Outputs</b> These pins provide the DVI differential outputs for data channel 0 (blue).
19, 20	Out	TDC1*, TDC1	<b>DVI Data Channel 1 Outputs</b> These pins provide the DVI differential outputs for data channel 1 (green).
22, 23	Out	TDC2*, TDC2	<b>DVI Data Channel 2 Outputs</b> These pins provide the DVI differential outputs for data channel 2 (red).
25	In	VSWING	<b>DVI Swing Control</b> This pin sets the swing level of the DVI outputs. A 1.2K ohm resistor should be connected between this pin and TGND using short and wide traces.
26	In	BSCAN/NC	<b>BSCAN</b> (internal pull low)/NC This pin should be left open in the application. This pin enables the boundary scan for in-circuit testing. See Section 2.5 for details. Voltage level is 0 to DVDD

<sup>◇</sup> Intel® Proprietary

Table 1: Pin Description (contd.)

Pin #	Type	Symbol	Description
27	In	Reserved	<b>Reserved</b> (internal pull-down) This pin should be left open or pulled low with a 10k resistor in the application.
29	In	HPDET	<b>Hot Plug Detect</b> (internal pull-down) This input pin determines whether the DVI output driver is connected to a DVI monitor. When terminated, the monitor is required to apply a voltage greater than 2.4 volts. Changes on the status of this pin will be relayed to the graphics controller via the SDVO_INT+/- pins, where toggling between 100MHz and 200MHz is considered an assertion ('1' value), not toggling at all is considered a de-assertion ('0' value). When the HPDET is low, the DVI output is shut down
32, 33	Out	SDVO_INT+/-	<b>Interrupt Output Pair associated with SDVO Data Channel</b> This pair is used as a hot plug attach/detach notification to VGA controller of a monitor driven by data SDVO_R+/-, SDVO_G+/-, SDVO_B+/-. Toggling between 100MHz and 200MHz on this pair is considered an assertion ('1' value); not toggling at all is considered a de-assertion ('0' value).
34	Out	Reserved	<b>Reserved</b> This pin should not be connected in the application.
35	Out	Reserved	<b>Reserved</b> This pin should not be connected in the application.
37, 38, 40, 41, 43, 44	In	SDVO_R+/-, SDVO_G+/-, SDVO_B+/-	<b>SDVO Data Channel Inputs</b> These pins accept 3 AC-coupled differential pair of inputs from a digital video port of a graphics controller. These 3 pair of inputs are R, G, B. The differential p-p input voltage has a max. value of 1.2V, with a min. value of 175mV.
46, 47	In	SDVO_CLK+/-	<b>Differential Clock Input associated with SDVO Data channel</b> The range of this clock pair is 100~200MHz. For specified pixel rates in specified modes this clock pair will run at an integer multiple of the pixel rate. Refer to Section 2.1.3 for details. The differential p-p input voltage has a max. value of 1.2V, with a min. value of 175mV.
12,28	Power	DVDD	<b>Digital Supply Voltage (2.5V)</b>
7,30	Power	DGND	<b>Digital Ground</b>
15, 21	Power	TVDD	<b>DVI Transmitter Supply Voltage (3.3V)</b>
18, 24	Power	TGND	<b>DVI Transmitter Ground</b>
36, 42, 48	Power	AVDD	<b>Analog Supply Voltage (2.5V)</b>
31, 39, 45	Power	AGND	<b>Analog Ground</b>
1	Power	AVDD_PLL	<b>DVI PLL Supply Voltage (3.3V)</b>
6	Power	AGND_PLL	<b>DVI PLL Ground</b>

## 2.0 FUNCTIONAL DESCRIPTION

### 2.1 Input Interface

#### 2.1.1 Overview

One pair of differential clock signal and three differential pairs of data signals (R/G/B) form one channel data. The input data are 10-bit serialized data. Input data run at 1Gbits/s~2Gbits/s, being a 10x multiple of the clock rate (SDVO\_CLK+/-). The CH7307C de-serializes the input into 10-bit parallel data with synchronization and alignment. Then the 10-bit characters are mapped into 8-bit color data or control data (Hsync, Vsync, DE).

#### 2.1.2 Interface Voltage Levels

All differential SDVO pairs are AC coupled differential signals. Therefore, there is not a specified DC signal level for the signals to operate at. The differential p-p input voltage has a min of 175mV, and a max of 1.2V. The differential p-p output voltage has a min of 0.8V, with a max of 1.2V.

#### 2.1.3 Input Clock and Data Timing

A data character is transmitted least significant bit first. The beginning of a character is noted by the falling edge of the SDVO\_CLK+ edge. The skew among input lanes is required to be no larger than 2ns.

The clock is from 100MHz~200MHz. The pixel rate can be 25MP/s~165MP/s. The pixel rate and the clock rate are not always equal. The clock rate can be a multiple of the pixel rate (1x, 2x, or 4x depending on the pixel rate) so that the clock rate will stay in the 100MHz~200MHz range. In the condition that the clock is running at a multiple of the pixel rate, there isn't enough pixel data to fill the data channels. Dummy fill characters ('000111010') are used to stuff the data stream. The CH7307C supports the following clock multipliers and fill patterns shown in Table 2.

**Table 2: CH7307C supported Pixel Rates, Clock Rates, Data Transfer Rates and Fill Patterns**

Pixel Rate	Clock Rate – Multiplier	Stuffing Format	Data Transfer Rate - Multiplier
25~50 MP/s	100~200 MHz – 4xPixel Rate	Data, Fill, Fill, Fill	1.00~2.00Gbits/s – 10xClock Rate
50~100 MP/s	100~200 MHz – 2xPixel Rate	Data, Fill	1.00~2.00Gbits/s – 10xClock Rate
100~200 MP/s	100~200 MHz – 1xPixel Rate	Data	1.00~2.00Gbits/s – 10xClock Rate

#### 2.1.4 Synchronization

Synchronization and channel-to-channel de-skewing is facilitated by the transmission of special characters during the blank period. The CH7307C synchronizes during the initialization period and subsequently uses the blank periods to re-synchronize to the data stream.

**2.2 DVI Transmitter**

Serialized input data, sync and clock signals are input to the CH7307C from the graphics controller’s digital output port. Input is through three differential data pairs and one differential clock pair. The data rate is in the range of 1.0~2Gbits/s. The clock rate, independent with pixel rate, is 1/10 of the data rate, resulting in the range of 100M~200MHz. Horizontal sync and vertical sync information are embedded in the data stream. Some examples of modes supported are shown in the Table 3. For Table 3, input pixel frequencies for given modes were taken from VESA DISPLAY MONITOR TIMING SPECIFICATIONS if they were detailed there, not VESA TIMING DEFINITION FOR FLAT PANEL MONITORS. The device is not dependent upon this set of timing specifications. Any values of input pixels/line, lines/frame and clock rate are acceptable, as long as the pixel rate remains below 165MHz.

**Table 3: DVI Output Formats**

Graphics Resolution	Active Aspect Ratio	Pixel Aspect Ratio	Refresh Rate (Hz)	Input pixel Frequency (MHz)	DVI Frequency (Mbits/Sec)
720x400	4:3	1.35:1.00	<85	<35.5	<355
640x400	8:5	1:1	<85	<31.5	<315
640x480	4:3	1:1	<85	<36	<360
800x600	4:3	1:1	<85	<57	<570
1024x768	4:3	1:1	<85	<95	<950
1280x720	16:9	1:1	<85	<110	<1100
1280x768	15:9	1:1	<85	<119	<1190
1280x1024	4:3	1:1	<85	<158	<1580
1366x768	16:9	1:1	<85	<140	<1400
1360x1024	4:3	1:1	<75	<145	<1450
1400x1050	4:3	1:1	<75	<156	<1560
1600x1200	4:3	1:1	<60	<165	<1650

**Table 4: Popular Panel Sizes**

UXGA	1600x1200
SXGA+	1400x1050
	1360x1024
SXGA	1280x1024
	1280x960
XGA	1024x768
	1024x600
SVGA	800x600

**2.3 Emission Reduction Clock**

DVI output can support a +/- 2.5% spreading in the output clock to reduce EMI emission. The frequency and amplitude of the spreading triangle waveform can be programmed via the serial port.

**2.4 Command Interface**

Communication is through two-wire path, control clock (SPC) and data (SPD). The CH7307C accepts incoming control clock and data from graphics controller, and is capable of redirecting that stream to the ADD2 card PROM, DDC, or CH7307C internal registers. The control bus is able to run up to 1MHz when communicating with internal registers, up to 400kHz for the PROM and up to 100kHz for the DDC.

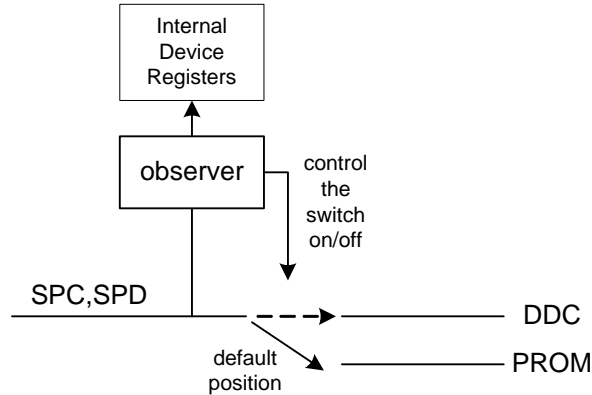


Figure 3: Control Bus Switch

Upon reset, the default state of the directional switch is to redirect the control bus to the ADD2 PROM. At this stage, the CH7307C observes the Control bus traffic. If the observing logic sees a control bus transaction destined for the internal registers (device address 70h or 72h), it disables the PROM output pairs, and switches to internal registers. In the condition that traffic is to the internal registers, an opcode command is used to set the redirection circuitry to the appropriate destination (ADD2 PROM or DDC). Redirecting the traffic to internal registers while at the stage of traffic to DDC occurs on observing a STOP after a START on the control bus.

2.5 Boundary Scan Test

CH7307C provides so called “NAND TREE Testing” to verify IO cell function at the PC board level. This test will check the interconnect between chip I/O and the printed circuit board for faults (soldering, bend leads, open printed circuit board traces, etc.). NAND tree test is a simple serial logic which turns all IO cell signals to input mode, connects all inputs with NAND gates as shown in Figure 4 and switches each signal to high or low according to the sequence in Table 5. The test results then pass out at pin #25 (VSWING).

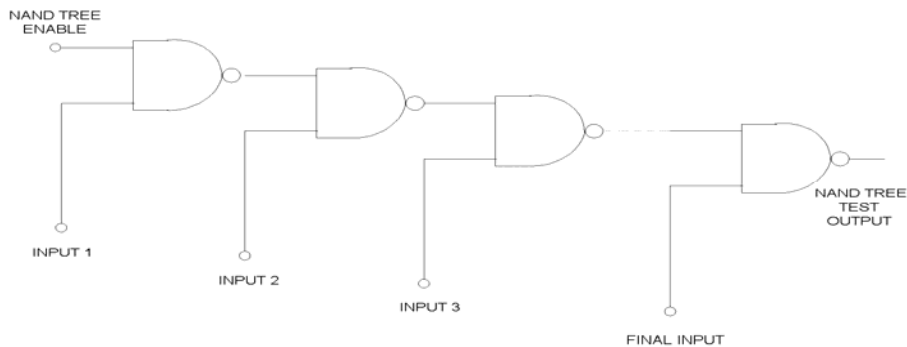


Figure 4: NAND Tree Connection

Testing Sequence

- Set BSCAN =1; (internal weak pull low)
- Set all signals listed in Table 5 to 1.
- Set all signals listed in Table 5 to 0, toggle one by one with certain time period, suggested 100 ns. Pin #25 will change its value each time an input value changed.



**Table 5: Signal Order in the NAND Tree Testing**

Order	Pin Name	LQFP Pin
1	HPDET	29
2	SDVO_INT+	32
3	SDVO_INT-	33
4	Reserved	34
5	Reserved	35
6	AS	3
7	SPC	4
8	SPD	5
9	SD_PROM	8
10	SC_PROM	9
11	SD_DDC	10
12	SC_DDC	11
13	TLC*	13
14	TLC	14
15	TDC0*	16
16	TDC0	17
17	TDC1*	19
18	TDC1	20
19	TDC2*	22
20	TDC2	23

**Table 6: Signals not Tested in NAND Test**

Pin Name	LQFP Pin
SDVO_R+	37
SDVO_R-	38
SDVO_G+	40
SDVO_G-	41
SDVO_B+	43
SDVO_B-	44
SDVO_CLK+	46
SDVO_CLK-	47
RESET*	2
BSCAN	26
Reserved	27
VSWING	25

### **3.0 REGISTER CONTROL**

The CH7307C is controlled via a serial control port. The serial bus uses only the SC clock to latch data into registers, and does not use any internally generated clocks so that the device can be written to in all power down modes. The device will retain all register values during power down modes.

Registers 00h to 11h are reserved for opcode use. All registers except bytes 00h to 11h are reserved for internal factory use. For details regarding Intel<sup>®</sup> SDVO opcodes, please contact Intel<sup>®</sup>.

## 4.0 ELECTRICAL SPECIFICATIONS

### 4.1 Absolute Maximum Ratings

Symbol	Description	Min	Typ	Max	Units
	All 2.5V power supplies relative to GND All 3.3V power supplies relative to GND	-0.5 -0.5		3.0 5.0	V
T <sub>SC</sub>	Analog output short circuit duration		Indefinite		Sec
T <sub>AMB</sub>	Ambient operating temperature	0		85	°C
T <sub>STOR</sub>	Storage temperature	-65		150	°C
T <sub>J</sub>	Junction temperature			150	°C
T <sub>VPS</sub>	Vapor phase soldering (5 second )			260	°C
	Vapor phase soldering (11 second )			245	°C
	Vapor phase soldering (60 second )			225	°C

**Note:**

- 1) Stresses greater than those listed under absolute maximum ratings may cause permanent damage to the device. These are stress ratings only. Functional operation of the device at these or any other conditions above those indicated under the normal operating condition of this specification is not recommended. Exposure to absolute maximum rating conditions for extended periods may affect reliability. The temperature requirements of vapor phase soldering apply to all standard and lead free parts.
- 2) The device is fabricated using high-performance CMOS technology. It should be handled as an ESD sensitive device. Voltage on any signal pin that exceeds the power supply voltages by more than ± 0.5V can induce destructive latchup.

### 4.2 Recommended Operating Conditions

Symbol	Description	Min	Typ	Max	Units
AVDD	Analog Power Supply Voltage	2.375	2.5	2.625	V
AVDD_PLL	Analog PLL Power Supply Voltage	3.100	3.3	3.500	V
DVDD	Digital Power Supply Voltage	2.375	2.5	2.625	V
TVDD	DVI Power Supply	3.100	3.3	3.500	V
VDD33	Generic for all 3.3V supplies	3.100	3.3	3.500	V
VDD25	Generic for all 2.5V supplies	2.375	2.5	2.625	V

### 4.3 Electrical Characteristics

(Operating Conditions: T<sub>A</sub> = 0°C – 70°C, VDD25 = 2.5V ± 5%, VDD33 = 3.3V ± 5%)

Symbol	Description	Min	Typ	Max	Units
I <sub>VDD25</sub>	Total VDD25 supply current (2.5V supplies) Pixel Rate=162MHz		175	200	mA
I <sub>VDD33</sub>	Total VDD33 supply current (3.3V supply) Pixel Rate=162MHz		75	100	mA
I <sub>PD</sub>	Total Power Down Current (all supplies)		50		uA

**4.4 DC Specifications**

Symbol	Description	Test Condition	Min	Typ	Max	Unit
$V_{RX-DIFFP-p}$	SDVO Receiver Differential Input Peak to Peak Voltage	$V_{RX-DIFFP-p} = 2 *  V_{RX-D+} - V_{RX-D-} $	0.175		1.200	V
$Z_{RX-DIFF-DC}$	SDVO Receiver DC Differential Input Impedance		80	100	120	$\Omega$
$Z_{RX-COM-DC}$	SDVO Receiver DC Common Mode Input Impedance		40	50	60	$\Omega$
$Z_{RX-COM-INITIAL-DC}$	SDVO Receiver Initial DC Common Mode Input Impedance	Impedance allowed when receiver terminations are first turned on	5	50	60	$\Omega$
$V_{INT-DIFFP-p}$	SDVO INT Differential Output Peak to Peak Voltage		0.8		1.2	V
$V_{SDOL}^1$	SPD (serial port data) Output Low Voltage	$I_{OL} = 2.0 \text{ mA}$			0.4	V
$V_{SPIH}^2$	Serial Port (SPC, SPD) Input High Voltage		2.0		VDD25 + 0.5	V
$V_{SPIL}^2$	Serial Port (SPC, SPD) Input Low Voltage		GND-0.5		0.4	V
$V_{HYS}$	Hysteresis of Serial Port Inputs		0.25			V
$V_{DDCIH}$	DDC Serial Port Input High Voltage		4.0		VDD5 + 0.5	V
$V_{DDCIL}$	DDC Serial Port Input Low Voltage		GND-0.5		0.4	V
$V_{PROMIH}$	PROM Serial Port Input High Voltage		4.0		VDD5 + 0.5	V
$V_{PROMIL}$	PROM Serial Port Input Low Voltage		GND-0.5		0.4	V
$V_{SD\_DDCOL}^3$	SPD (serial port data) Output Low Voltage from SD_DDC (or SD_EPROM)	Input is $V_{INL}$ at SD_DDC or SD_EPROM. 4.0k $\Omega$ pullup to 2.5V.			0.9* $V_{INL}$ + 0.25	V
$V_{DDCOL}^4$	SC_DDC and SD_DDC Output Low Voltage	Input is $V_{INL}$ at SPC and SPD. 5.6k $\Omega$ pullup to 5.0V.			0.933* $V_{INL}$ + 0.35	V
$V_{EPROMOL}^5$	SC_EPROM and SD_EPROM Output Low Voltage	Input is $V_{INL}$ at SPC and SPD. 5.6k $\Omega$ pullup to 5.0V.			0.933* $V_{INL}$ + 0.35	V
$V_{MISC1IH}^6$	RESET*, BSCAN Input High Voltage		2.7		VDD33 + 0.5	V
$V_{MISC1IL}^6$	RESET*, BSCAN Input Low Voltage		GND-0.5		0.5	V
$V_{MISC2IH}^7$	AS Input High Voltage		2.0		VDD25 + 0.5	V

**DC Specifications (contd.)**

Symbol	Description	Test Condition	Min	Typ	Max	Unit
$V_{MISC2IL}^7$	AS Input Low Voltage	DVDD=2.5V	GND-0.5		0.5	V
$V_{MISC3IH}^8$	HPDET Input High Voltage		2.0		VDD33 + 0.5	V
$V_{MISC3IL}^8$	HPDET Input Low Voltage	DVDD=2.5V	GND-0.5		0.5	V
$I_{MISC1PD}$	BSCAN Pull Down Current	$V_{IN} = 3.3V$	10		40	$\mu A$
$I_{MISC1PU}$	RESET* Pull Up Current	$V_{IN} = 0V$	10		40	$\mu A$
$I_{MISC2PD}$	HPDET Pull Down Current	$V_{IN} = 2.5V$	5		20	$\mu A$
$I_{MISC2PU}$	AS Pull Up Current	$V_{IN} = 0V$	10		40	$\mu A$
$V_H$	DVI Single Ended Output High Voltage	$TVDD = 3.3V \pm 5\%$ $R_{TERM} = 50\Omega \pm 1\%$	$TVDD - 0.01$		$TVDD + 0.01$	V
$V_L$	DVI Single Ended Output Low Voltage	$R_{SWING} = 1200\Omega \pm 1\%$	$TVDD - 0.6$		$TVDD - 0.4$	V
$V_{SWING}$	DVI Single Ended Output Swing Voltage		400		600	mVp-p
$V_{OFF}$	DVI Single Ended Standby Output Voltage		$TVDD - 0.01$		$TVDD + 0.01$	V

**Notes:**

1. Refers to SPD.  $V_{SPOL}$  is the output low voltage from SPD when transmitting from internal registers not from DDC or EEPROM.
2. Refers to SPC, SPD.
3.  $V_{SD\_DDCOL}$  is the output low voltage at the SPD pin when the voltage at SD\_DDC or SD\_PROM is  $V_{INL}$ . Maximum output voltage has been calculated with a worst case pull up of 4.0k $\Omega$  to 2.5V on SPD.
4.  $V_{DDCOL}$  is the output low voltage at the SC\_DDC and SD\_DDC pins when the voltage at SPC and SPD is  $V_{INL}$ . Maximum output voltage has been calculated with 5.6k pull up to 5V on SC\_DDC and SD\_DDC.
5.  $V_{PROMOL}$  is the output low voltage at the SC\_PROM and SD\_PROM pins when the voltage at SPC and SPD is  $V_{INL}$ . Maximum output voltage has been calculated with 5.6k $\Omega$  pull up to 5V on SC\_PROM and SD\_PROM.
6.  $V_{MISC1}$  refers to RESET\* and BSCAN inputs which are 3.3V compliant.
7.  $V_{MISC2}$  refers to AS which are 2.5V compliant.
8.  $V_{MISC3}$  refers to HPDET which are 2.5V/3.3V compliant.

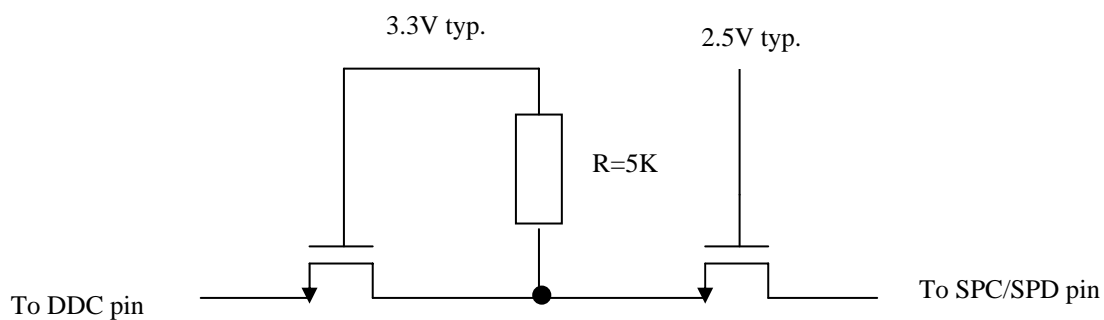
**4.5 AC Specifications**

Symbol	Description	Test Condition	Min	Typ	Max	Unit
$U_{I\_DATA}$	SDVO Receiver Unit Interval for Data Channels		Typ. – 300ppm	1/[Data Transfer Rate]	Typ. + 300ppm	ps
$f_{SDVO\_CLK}$	SDVO CLK Input Frequency		100		200	MHz
$f_{PIXEL}$	DVI Transmitter Pixel rate		25		165	MHz
$f_{SYMBOL}$	SDVO Receiver Symbol frequency		1		2	GHz
$t_{RX-EYE}$	SDVO Receiver Minimum Eye Width		0.4			UI
$t_{RX-EYE-JITTER}$	SDVO Receiver Max. time between jitter median and max. deviation from median				0.3	UI
$V_{RX-CM-ACp}$	SDVO Receiver AC Peak Common Mode Input Voltage				150	mV
$RL_{RX-DIFF}$	Differential Return Loss	50MHz – 1.25GHz	15			dB
$RL_{RX-CM}$	Common Mode Return Loss	50MHz – 1.25GHz	6			dB
$t_{SKEW}$	SDVO Receiver Total Lane to Lane Skew of Inputs	Across all lanes			2	ns
$t_{DVIR}$	DVI Output Rise Time (20% - 80%)	$f_{XCLK} = 165MHz$	75		242	ps
$t_{DVIF}$	DVI Output Fall Time (20% - 80%)	$f_{XCLK} = 165MHz$	75		242	ps
$T_{SPR}$	SPC, SPD Rise Time (20% - 80%)	Standard mode 100k Fast mode 400k 1M running speed			1000 300 150	ns ns ns
$T_{SPF}$	SPC, SPD Fall Time (20% - 80%)	Standard mode 100k Fast mode 400k 1M running speed			300 300 150	ns ns ns
$T_{PROMR}$	SC_PROM, SD_PROM Rise Time (20% - 80%)	Fast mode 400K			300	ns
$T_{PROMF}$	SC_PROM, SD_PROM Rise Time (20% - 80%)	Fast mode 400K			300	ns
$T_{DDCR}$	SC_DDC, SD_DDC Rise Time (20% - 80%)	Standard mode 100k			1000	ns
$T_{DDCF}$	SC_DDC, SD_DDC Fall Time (20% - 80%)	Standard mode 100k			300	ns
$T_{DDCR-DELAY}^1$	SC_DDC, SD_DDC Rise Time Delay (50%)	Standard mode 100k		0		ns
$T_{DDCF-DELAY}^1$	SC_DDC, SD_DDC Fall Time Delay (50%)	Standard mode 100k		3		ns
$t_{SKDIFF}$	DVI Output intra-pair skew	$f_{XCLK} = 165MHz$			90	ps

Symbol	Description	Test Condition	Min	Typ	Max	Unit
$t_{SKCC}$	DVI Output inter-pair skew	$f_{XCLK} = 165\text{MHz}$			1.2	ns
$t_{DVIJIT}$	DVI Output Clock Jitter	$f_{XCLK} = 165\text{MHz}$			150	ps

Notes:

- Refers to the figure below, the delay refers to the time pass through the internal switches.



5.0 PACKAGE DIMENSIONS

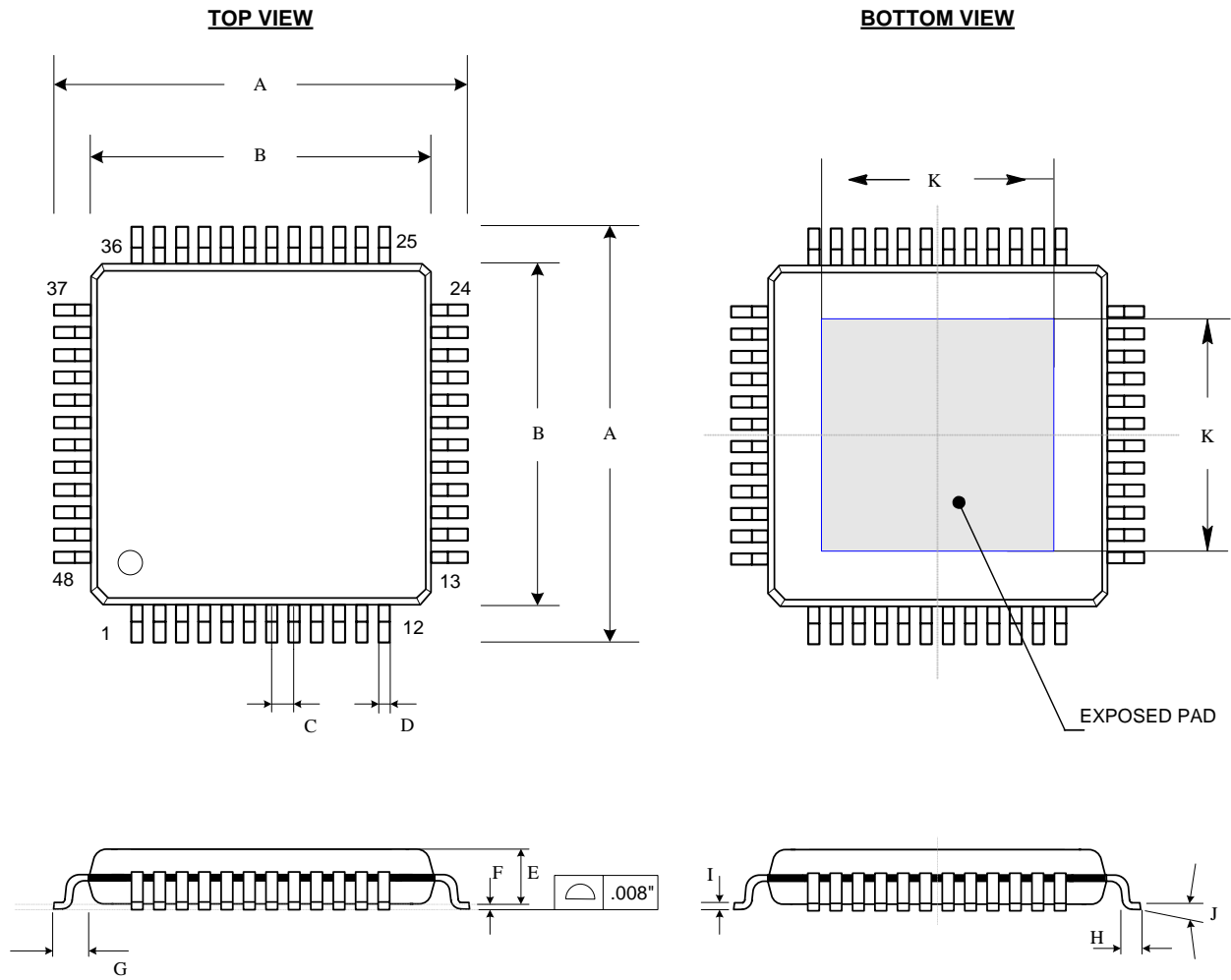


Figure 5: 48 Pin LQFP (Exposed Pad) Package

Table of Dimensions

No. of Leads		SYMBOL										
48 (7 X 7 mm)		A	B	C	D	E	F	G	H	I	J	K
Milli-meters	MIN	9	7	0.50	0.17	1.35	0.05	1.00	0.45	0.09	0°	4
	MAX				0.27	1.45	0.15		0.75	0.20	7°	5.5

Notes:

1. Conforms to JEDEC standard JESD-30 MS-026D.
2. Dimension B: Top Package body size may be smaller than bottom package size by as much as 0.15 mm.
3. Dimension B does not include allowable mold protrusions up to 0.25 mm per side.



## 6.0 REVISION HISTORY

Table 7: Revisions

Rev. #	Date	Section	Description
0.6	05/19/04	All	New release for CH7307C
0.61	06/10/04	1.2	Update SPC, SC_DDC, SC_PROM to In/Out type.
1.0	09/01/04	All	
1.1	10/21/04	4.1	Vapor phase soldering information updated
1.11	11/05/04	1.2	Update HPDET description
1.2	11/09/04	4.3	Update power down current number
1.22	10/05/05	4.4, 4.5	Update DC, AC specifications and order information
1.3	10/28/05	1.2	Update BSCAN pin description.
1.4	7/31/08	2.5	Update Table 5. Pin numbers.

### Disclaimer

This document provides technical information for the user. Chrontel reserves the right to make changes at any time without notice to improve and supply the best possible product and is not responsible and does not assume any liability for misapplication or use outside the limits specified in this document. We provide no warranty for the use of our products and assume no liability for errors contained in this document. The customer should make sure that they have the most recent data sheet version. Customers should take appropriate action to ensure their use of the products does not infringe upon any patents. Chrontel, Inc. respects valid patent rights of third parties and does not infringe upon or assist others to infringe upon such rights.

Chrontel PRODUCTS ARE NOT AUTHORIZED FOR AND SHOULD NOT BE USED WITHIN LIFE SUPPORT SYSTEMS OR NUCLEAR FACILITY APPLICATIONS WITHOUT THE SPECIFIC WRITTEN CONSENT OF Chrontel. Life support systems are those intended to support or sustain life and whose failure to perform when used as directed can reasonably expect to result in personal injury or death.

<b>ORDERING INFORMATION</b>			
Part Number	Package Type	Number of Pins	Voltage Supply
CH7307C-DEF	Lead free LQFP with exposed pad	48	2.5V & 3.3V
CH7307C-DEF-TR	Lead free LQFP with exposed pad in Tape & Reel	48	2.5V & 3.3V

## Chrontel

2210 O'Toole Avenue, Suite 100,  
San Jose, CA 95131-1326  
Tel: (408) 383-9328  
Fax: (408) 383-9338  
www.chrontel.com  
E-mail: sales@chrontel.com