

FEATURES

- SMALLEST AVAILABLE LOW COST WATCH CRYSTAL
- OPERATING TEMPERATURE RANGE OF -40/+85°C
- EXCELLENT CLOCK SIGNAL GENERATOR FOR CPU'S

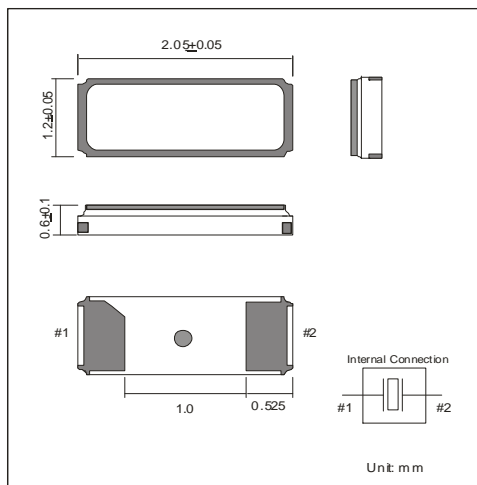


| | |
|---|--|
| ULTRA MINI SMD-WATCH CRYSTAL SERIES | M2015 |
| PACKAGE DIMENSIONS | 2.05 x 1.2 x 0.6 mm |
| FREQUENCY | 32.768 kHz |
| FREQUENCY TOLERANCE AT 25°C | +30 ppm (standard) |
| LOAD CAPACITANCE | 12.5 pF (standard) / 6 pF, 7 pF and 9 pF available on demand |
| SERIES RESISTANCE | 90 kΩ max. |
| OPERATING TEMPERATURE RANGE | -40/+85°C |
| STORAGE TEMPERATURE RANGE | -55/+125°C |
| PARABOLIC COEFFICIENT | -0.04 ppm/°C ² max. |
| TURNOVER TEMPERATURE | +25°C +5°C |
| DRIVE LEVEL | 0.5 μW max. |
| SHUNT CAPACITANCE C0 | 1.3 pF typical |
| MOTIONAL CAPACITANCE C1 | 6.4 fF typical |
| AGING | +3 ppm max. per year |
| DELIVERY FORM | Tape & Reel (1.000 pcs per reel) |
| OTHER PARAMETERS ARE AVAILABLE ON REQUEST / CREATE HERE YOUR SPECIFICATION | |

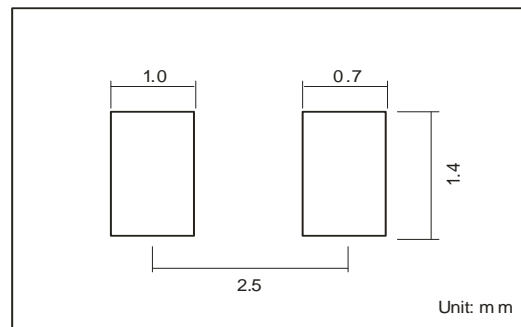
PART NUMBERING SYSTEM

| | |
|------------------------------------|---|
| EXAMPLE | M2015 32.768 kHz +30 ppm -40/+85 12.5pF |
| PACKAGE | M2015 |
| FREQUENCY | 32.768 kHz |
| FREQUENCY TOLERANCE AT 25°C | REQUIRED VALUE |
| TEMPERATURE RANGE | -40/+85°C standard temperature range |
| LOAD CAPACITANCE | REQUIRED VALUE |

OUTLINE DRAWING



RECOMMENDED LAND PATTERN



Specification dated April 2010

<http://www.petermann-technik.com> | info@petermann-technik.com