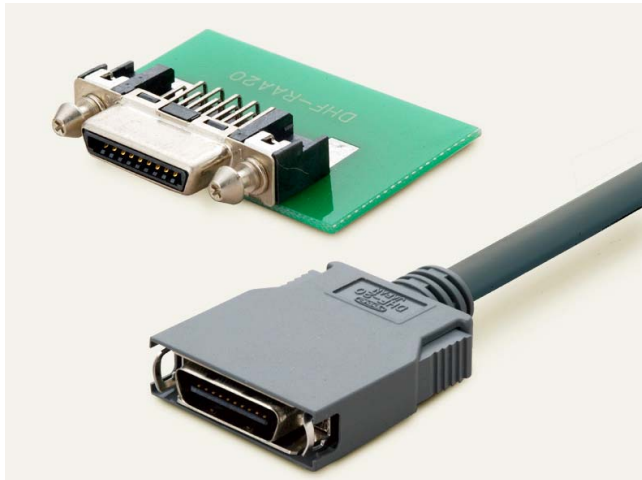


Half Pitch Low Profile Connectors

DHF Series



OUTLINE

DHF series is a half pitch interface connector which is low profile EMI shielded for small and high density applications.

FEATURE

- Low profile, 3mm thinner than DHA series connector
- "D" shaped shell polarization to prevent from mis-mating.
- High reliable, scoop-proof cantilever contact design
- Plastic hood with inner shell for ESD protection
- One touch locking mechanism
- Easy termination by assembly tools

SPECIFICATIONS

Rated Voltage	250V AC(r.m.s.)
Rated Current	0.5A / Contact
Dielectric Withstanding Voltage	500V AC(r.m.s.) at 1 minute
Insulation Resistance	500M Ω min. at 500V DC
Contact Resistance	35m Ω max.
Applicable Cable	AWG#28, 7 / 0.127 Stranded Cable ϕ 0.58mm

MATERIAL / FINISH

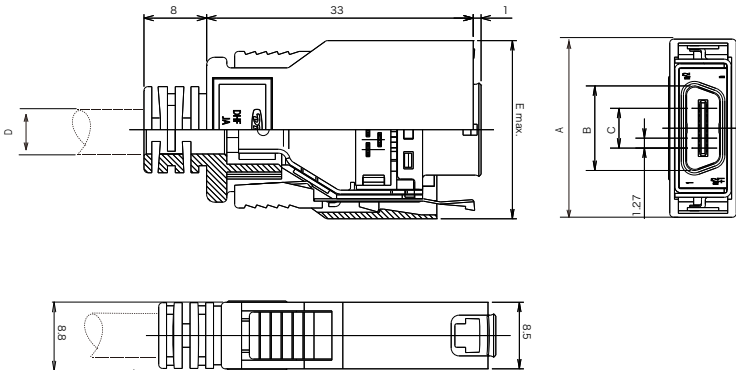
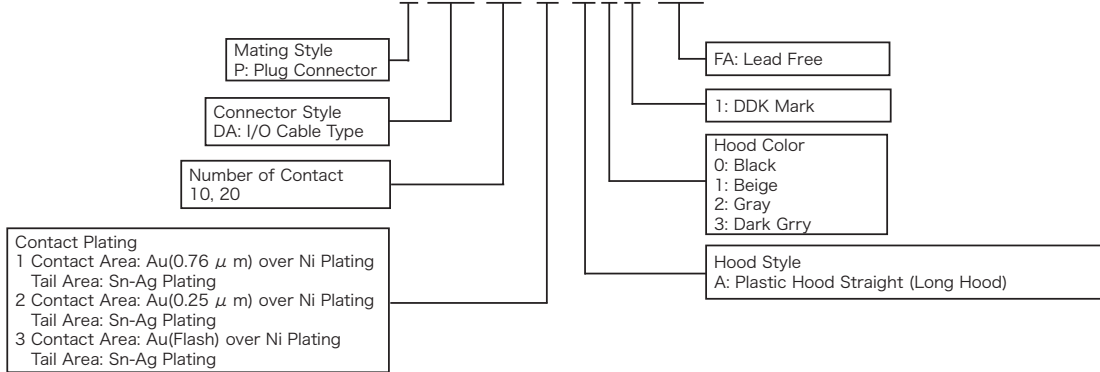


Item	Material / Finish
Contact	Copper Alloy / Au Plating
Front Shell	Brass / Ni Plating
Insulator	LCP Resin or Polyamide Resin / Black
Cover	Polyamide Resin / Black
Inner Shell	Steel / Ni Plating
Hood	ABS Resin
Lock Lever	Stainless Steel + ABS Resin
Cable Clamp	Steel / Sn-Ag Plating
Locator	PBT Resin or LCP Resin / Black
Ground Tab	Copper Alloy / Ni Plating
Lock Screw and Nut	Steel / Ni Plating

© Specifications and/or dimensions in this catalogue are subject to change without notice.
Your catalogue checking the latest specifications with our drawings would be highly appreciated.

090703

<http://www.ddknet.co.jp>

I/O Cable Plug Connector (Hood)
DHF-PDA10-3-A01-FA


Part Number	Number of Contact	A	B	C	D	E (max.)
DHF-PDA10-□-A□1-FA	10	22.75	10.80	5.08	5.0	23.75
DHF-PDA20-□-A□1-FA	20	29.10	17.15	11.43	5.8	30.10

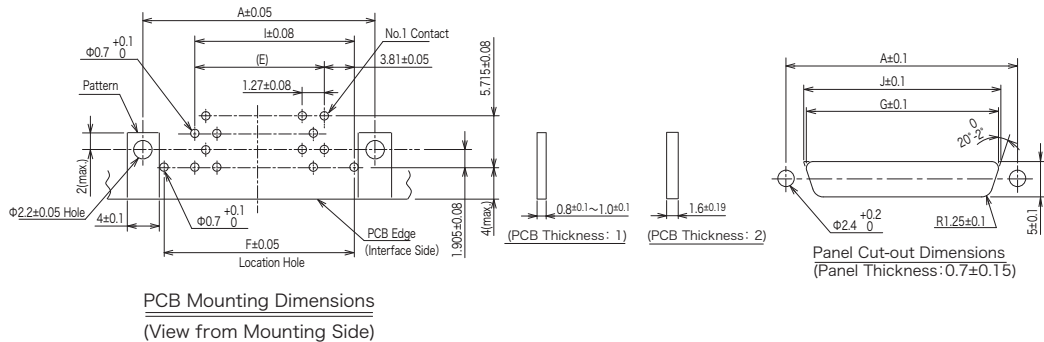
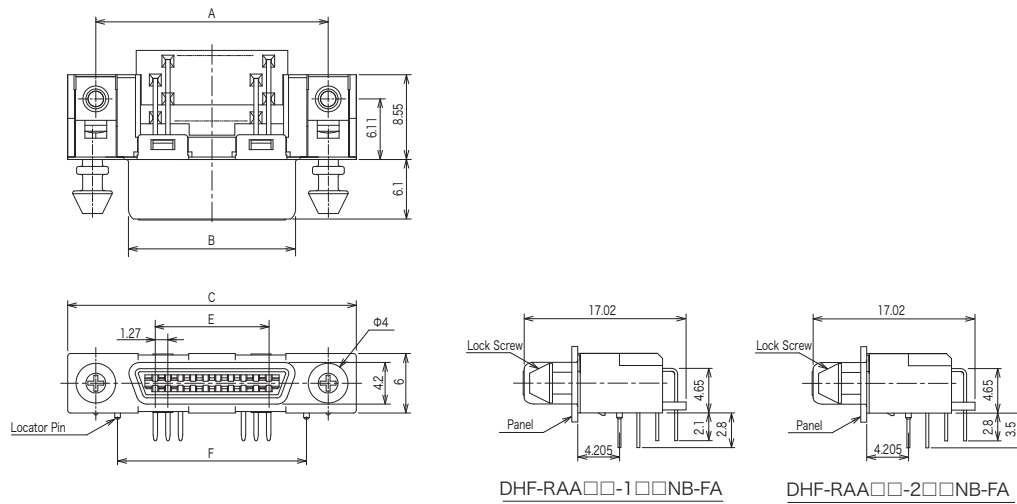
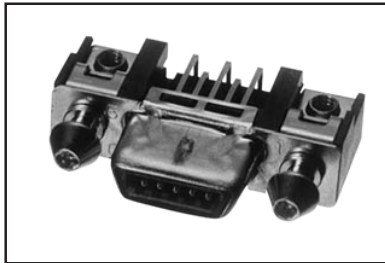
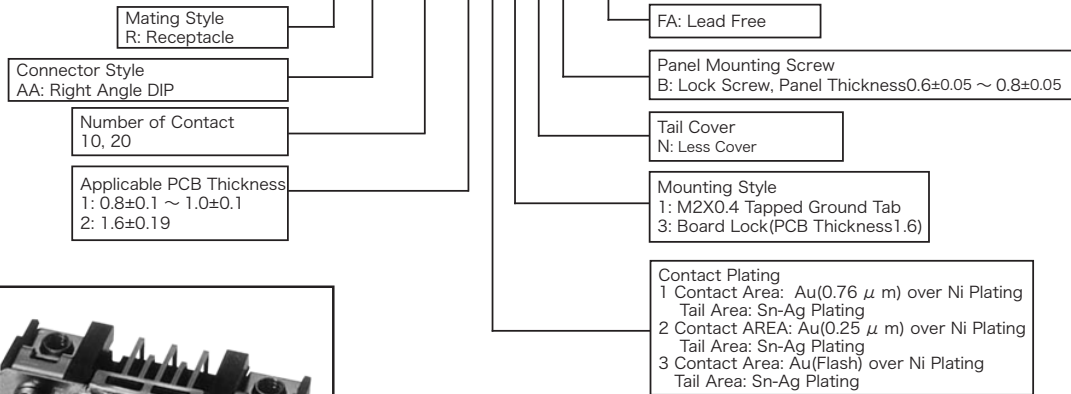
Assembly Tools

Assembly Tool	Part Number	Item	Part Number
DHF-HP □□-D □□ Assembly Tool Set	357J-12463-□□ □ : Number of Contact (ex.) 10 contacts 357J-12463-10	DHF-PDA Cable Wiring and Cable Cutting Tool	357J-12224
		DHF Termination Tool	357J-12198
		DHF Cable Clamp Assembly Tool Set	357J-12773
		DHF Cable Clamp Assembly Tool	357J-12199
		DHF Cable Clamp Locator	357J-12228-□

※ Please refer the instruction manual as attached with DHF assembly tool set.

DHF Cable Calmp Assembly Tool Set		DHF Cable Clamp Assembly Tool	DHF Cable Clamp Locator
for DHF-PDA10,20	357J-12773	357J-12199	357J-12228-1, -2
for DHF-PDA10	357J-12773-10		357J-12228-1
for DHF-PDA20	357J-12773-20		357J-12228-2

※ DHF cable calmp assembly tools are used depend on the number of contact. Please refer to the above table.

▶ Right Angle Receptacle
DHF-RAA10-131NB-FA


Part Number	Number of Contact	A	B	C	E	F	G	I	J
DHF-RAA10-□□□NB-FA	10	17.08	10.50	22.75	5.08	12.70	11.60	8.89	12.67
DHF-RAA20-□□□NB-FA	20	23.43	16.85	29.10	11.43	19.05	17.95	15.24	19.02

© Specifications and/or dimensions in this catalogue are subject to change without notice.
Your catalogue checking the latest specifications with our drawings would be highly appreciated.