

512M bits DDR Mobile RAM™**WTR (Wide Temperature Range)
EDD51161DBH-TS (32M words × 16 bits)**

Specifications

- Density: 512M bits
- Organization: 8M words × 16 bits × 4 banks
- Package: 60-ball FBGA
 - Lead-free (RoHS compliant) and Halogen-free
- Power supply: VDD, VDDQ = 1.7V to 1.95V
- Data rate: 400Mbps/333Mbps (max.)
- 2KB page size
 - Row address: A0 to A12
 - Column address: A0 to A9
- Four internal banks for concurrent operation
- Interface: LVCMOS
- Burst lengths (BL): 2, 4, 8
- Burst type (BT):
 - Sequential (2, 4, 8)
 - Interleave (2, 4, 8)
- /CAS Latency (CL): 3
- Precharge: auto precharge option for each burst access
- Driver strength: normal, 1/2, 1/4
- Refresh: auto-refresh, self-refresh
- Refresh cycles: 8192 cycles/64ms
 - Average refresh period: 7.8μs
- Operating ambient temperature range
 - TA = -25°C to +85°C

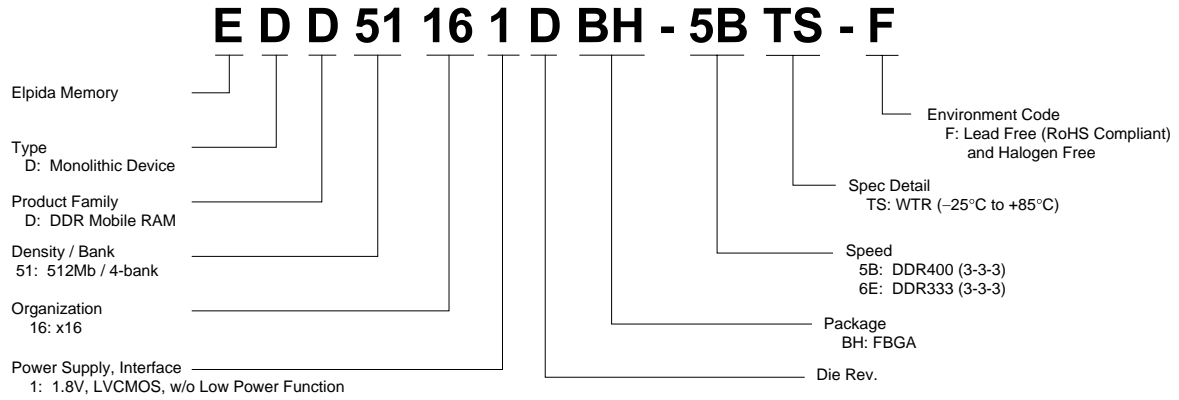
Features

- DLL is not implemented
- Low power consumption
- Double-data-rate architecture; two data transfers per one clock cycle
- The high-speed data transfer is realized by the 2 bits prefetch pipelined architecture
- Bi-directional data strobe (DQS) is transmitted /received with data for capturing data at the receiver.
- Data inputs, outputs, and DM are synchronized with DQS
- DQS is edge-aligned with data for READs; center-aligned with data for WRITEs
- Differential clock inputs (CK and /CK)
- Commands entered on each positive CK edge: data and data mask referenced to both edges of DQS
- Data mask (DM) for write data
- Burst termination by burst stop command and Precharge command
- Wide temperature range
 - TA = -25°C to +85°C
- Low Power Function below is not supported
 - Partial Array Self-Refresh (PASR)
 - Auto Temperature Compensated Self-Refresh
 - Deep power-down mode

Ordering Information

Part number	Die revision	Organization (words × bits)	Internal banks	Data rate Mbps (max.)	/CAS latency	Package
EDD51161DBH-5BTS-F	D	32M × 16	4	400	3	60-ball FBGA
EDD51161DBH-6ETS-F				333	3	

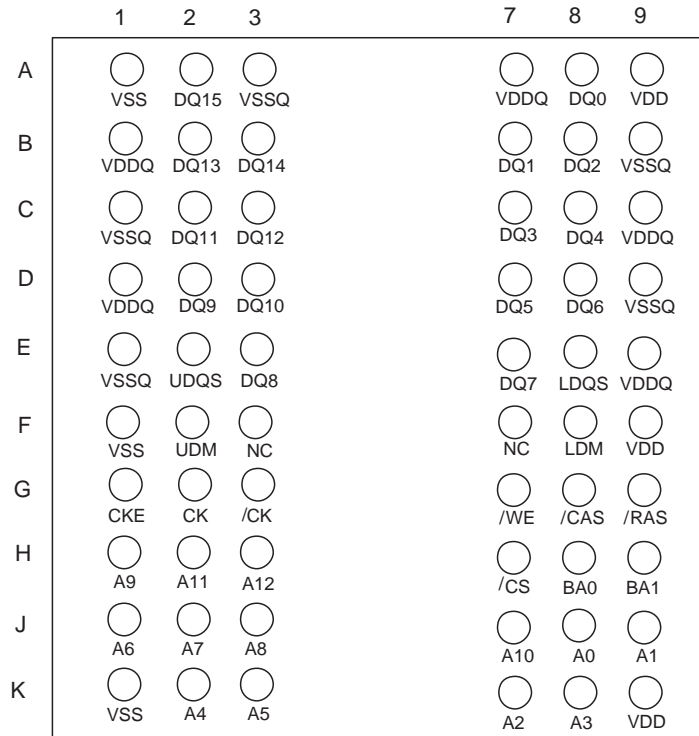
Part Number



Pin Configurations

/xxx indicate active low signal.

60-ball FBGA



(Top View)

Pin name	Function	Pin name	Function
A0 to A12	Address inputs	CK	Clock input
BA0, BA1	Bank select address	/CK	Differential clock input
DQ0 to DQ15	Data-input/output	CKE	Clock enable
UDQS, LDQS	Input and output data strobe	VDD	Power for internal circuit
/CS	Chip select	VSS	Ground for internal circuit
/RAS	Row address strobe	VDDQ	Power for DQ circuit
/CAS	Column address strobe	VSSQ	Ground for DQ circuit
/WE	Write enable	NC	No connection
UDM, LDM	Input mask		

CONTENTS

Specifications.....1
Features.....1
Ordering Information.....2
Part Number2
Pin Configurations3
Electrical Specifications.....5
Block Diagram12
Pin Function.....13
Command Operation15
Simplified State Diagram21
Operation of the DDR Mobile RAM22
Timing Waveforms.....46
Package Drawing55
Recommended Soldering Conditions.....56

Electrical Specifications

- All voltages are referenced to VSS (GND).
- After power up, wait more than 200 μ s and then, execute power on sequence and CBR (Auto) refresh before proper device operation is achieved.

Absolute Maximum Ratings

Parameter	Symbol	Rating	Unit	Note
Voltage on any pin relative to VSS	VT	-0.5 to +2.3	V	
Supply voltage relative to VSS	VDD	-0.5 to +2.3	V	
Short circuit output current	IOS	50	mA	
Power dissipation	PD	1.0	W	
Operating ambient temperature	TA	-25 to +85	°C	
Storage temperature	Tstg	-55 to +125	°C	

Caution

Exposing the device to stress above those listed in Absolute Maximum Ratings could cause permanent damage. The device is not meant to be operated under conditions outside the limits described in the operational section of this specification. Exposure to Absolute Maximum Rating conditions for extended periods may affect device reliability.

Recommended DC Operating Conditions (TA = -25°C to +85°C)

Parameter	Pins	Symbol	min	typ.	max	Unit	Notes
Supply voltage		VDD, VDDQ	1.7	1.8	1.95	V	1
		VSS, VSSQ	0	0	0	V	
Input high voltage	All other input	VIH	$0.8 \times VDDQ$	—	$VDDQ + 0.3$	V	
Input low voltage	pins	VIL	-0.3	—	$0.2 \times VDDQ$	V	
DC input voltage level	CK, /CK	VIN (DC)	-0.3	—	$VDDQ + 0.3$	V	
AC Input differential cross point voltage		VIX	$0.4 \times VDDQ$	$0.5 \times VDDQ$	$0.6 \times VDDQ$	V	6
DC input differential voltage		VID (DC)	$0.4 \times VDDQ$	—	$VDDQ + 0.6$	V	5
AC input differential voltage		VID (AC)	$0.6 \times VDDQ$	—	$VDDQ + 0.6$	V	5
DC input high voltage	DQ, DM, DQS	VIHD (DC)	$0.7 \times VDDQ$	—	$VDDQ + 0.3$	V	
DC input low voltage		VILD (DC)	-0.3	—	$0.3 \times VDDQ$	V	
AC input high voltage		VIHD (AC)	$0.8 \times VDDQ$	—	$VDDQ + 0.3$	V	
AC input low voltage		VILD (AC)	-0.3	—	$0.2 \times VDDQ$	V	

- Notes: 1. VDDQ must be equal to VDD.
 2. VIH (max.) = 2.3V (pulse width \leq 5ns).
 3. VIL (min.) = -0.5V (pulse width \leq 5ns).
 4. All voltage referred to VSS and VSSQ must be same potential.
 5. VID (DC) and VID (AC) are the magnitude of the difference between the input level on CK and the input level on /CK.
 6. The value of VIX is expected to be $0.5 \times VDDQ$ and must track variations in the DC level of the same.

DC Characteristics 1 (TA = -25°C to +85°C, VDD and VDDQ = 1.7V to 1.95V, VSS and VSSQ = 0V)

Parameter	Symbol	Grade	max.	Unit	Test condition	Notes
Operating current (ACT-PRE)	IDD0	-5B -6E	85 60	mA	One bank active-precharge, CKE = H, /CS = H between valid commands, tCK = tCK (min.), tRC = tRC (min.), Address bus inputs are SWITCHING; Data bus inputs are STABLE	
Standby current in power-down	IDD2P		3.0	mA	All banks idle, CKE = L, /CS = H, tCK = tCK (min.), Address and control inputs are SWITCHING; Data bus inputs are STABLE	
Standby current in power-down with clock stop	IDD2PS		2.8	mA	All banks idle, CKE = L, /CS = H, CK = L, /CK = H, Address and control inputs are SWITCHING; Data bus inputs are STABLE	
Standby current in non power-down	IDD2N		6.0	mA	All banks idle, CKE = H, /CS = H, tCK = tCK (min.), Address and control inputs are SWITCHING; Data bus inputs are STABLE	
Standby current in non power-down with clock stop	IDD2NS		4.0	mA	All banks idle, CKE = H, /CS = H, CK = L, /CK = H, Address and control inputs are SWITCHING; Data bus inputs are STABLE	
Active standby current in power-down	IDD3P		5.0	mA	One bank active, CKE = L, /CS = H, tCK = tCK (min.), Address and control inputs are SWITCHING; Data bus inputs are STABLE	
Active standby current in power-down with clock stop	IDD3PS		4.0	mA	One bank active, CKE = L, /CS = H, CK = L, /CK = H; Address and control inputs are SWITCHING; Data bus inputs are STABLE	
Active standby current in non power-down	IDD3N		10	mA	One bank active, CKE = H, /CS = H, tCK = tCK (min.), Address and control inputs are SWITCHING; Data bus inputs are STABLE	
Active standby current in non power-down with clock stop	IDD3NS		7.0	mA	One bank active, CKE = H, /CS = H, CK = L, /CK = H, Address and control inputs are SWITCHING; Data bus inputs are STABLE	
Burst operating current	IDD4	-5B -6E	145 120	mA	One bank active, Continuous burst reads or writes; tCK = tCK (min.), CL = 3, BL = 4, IOOUT = 0mA, Address inputs are SWITCHING, 50% data change each burst transfer	
Auto-refresh current	IDD5		106	mA	CKE = H, tCK = tCK (min.), tRFC = tRFC (min.), Address and control inputs are SWITCHING; Data bus inputs are STABLE	
Self-refresh current	IDD6		3.0	mA	CKE = L	

- Notes: 1. IDD specifications are tested after the device is properly initialized.
 2. Input slew rate is specified by Test Conditions.
 3. Definitions for IDD:
 L is defined as $V_{IN} \leq 0.1 \times V_{DDQ}$;
 H is defined as $V_{IN} \geq 0.9 \times V_{DDQ}$;
 STABLE is defined as inputs stable at an H or L level;
 SWITCHING is defined as:
 Address and command: inputs changing between H and L once per two clock cycles;
 Data bus inputs: DQ changing between H and L once per clock cycle; DM and DQS are STABLE.

DC Characteristics 2 (TA = -25°C to +85°C, VDD and VDDQ = 1.7V to 1.95V V, VSS and VSSQ = 0V)

Parameter	Symbol	min.	max.	Unit	Test condition	Notes
Input leakage current	ILI	-2.0	2.0	μA	$0 \leq V_{IN} \leq V_{DDQ}$	
Output leakage current	ILO	-1.5	1.5	μA	$0 \leq V_{OUT} \leq V_{DDQ}$, DQ = disable	
Output high voltage	VOH	$0.9 \times V_{DDQ}$	—	V	IOH = -0.1mA	
Output low voltage	VOL	—	$0.1 \times V_{DDQ}$	V	IOL = 0.1 mA	

Pin Capacitance (TA = +25°C, VDD and VDDQ = 1.7V to 1.95V)

Parameter	Symbol	Pins	min.	typ.	max.	Unit	Notes
Input capacitance	CI1	CK, /CK	1.5	—	4.0	pF	1
	CI2	All other input-only pins	1.5	—	4.0	pF	1
Delta input capacitance	Cdi1	CK, /CK	—	—	0.25	pF	1
	Cdi2	All other input-only pins	—	—	1.0	pF	1
Data input/output capacitance	CI/O	DQ, DM, DQS	2.0	—	5.0	pF	1, 2,
Delta input/output capacitance	Cdio	DQ, DM, DQS	—	—	1.0	pF	1

- Notes: 1. These parameters are measured on conditions: $f = 100\text{MHz}$, $V_{OUT} = V_{DDQ}/2$, $\Delta V_{OUT} = 0.2\text{V}$, $T_A = +25^\circ\text{C}$.
 2. DOUT circuits are disabled.

AC Characteristics (TA = -25°C to +85°C, VDD and VDDQ = 1.7V to 1.95V, VSS and VSSQ = 0V)

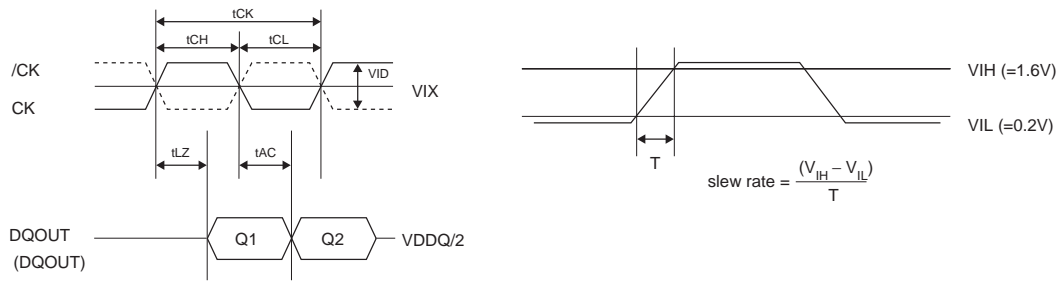
Parameter	Symbol	-5B		-6E		Unit	Notes
		min.	max.	min.	max.		
Clock cycle time	tCK	5.0	—	6.0	—	ns	
CK high-level width	tCH	0.45	0.55	0.45	0.55	tCK	
CK low-level width	tCL	0.45	0.55	0.45	0.55	tCK	
CK half period	tHP	min. (tCH, tCL)	—	min. (tCH, tCL)	—	tCK	
DQ output access time from CK, /CK	tAC	2.0	5.0	2.0	5.0	ns	2, 8
DQS-in cycle time	tDSC	0.9	1.1	0.9	1.1	tCK	
DQS output access time from CK, /CK	tDQSCK	2.0	5.0	2.0	5.0	ns	2, 8
DQ-out high-impedance time from CK, /CK	tHZ	—	5.0	—	5.0	ns	5, 8
DQ-out low-impedance time from CK, /CK	tLZ	1.0	—	1.0	—	ns	6, 8
DQS to DQ skew	tDQSQ	—	0.4	—	0.5	ns	3
DQ/DQS output hold time from DQS	tQH	tHP – tQHS	—	tHP – tQHS	—	ns	4
Data hold skew factor	tQHS	—	0.5	—	0.65	ns	
DQ and DM input setup time	tDS	0.48	—	0.6	—	ns	3
DQ and DM input hold time	tDH	0.48	—	0.6	—	ns	3
DQ and DM input pulse width	tDIPW	1.6	—	1.6	—	ns	
Read preamble	tRPRE	0.9	1.1	0.9	1.1	tCK	
Read postamble	tRPST	0.4	0.6	0.4	0.6	tCK	
Write preamble setup time	tWPRES	0	—	0	—	ns	
Write preamble	tWPRE	0.25	—	0.25	—	tCK	
Write postamble	tWPST	0.4	0.6	0.4	0.6	tCK	7
Write command to first DQS latching transition	tDQSS	0.75	1.25	0.75	1.25	tCK	
DQS falling edge to CK setup time	tDSS	0.2	—	0.2	—	tCK	
DQS falling edge hold time from CK	tDSH	0.2	—	0.2	—	tCK	
DQS input high pulse width	tDQSH	0.40	—	0.40	—	tCK	
DQS input low pulse width	tDQSL	0.40	—	0.40	—	tCK	
Address and control input setup time	tIS	0.9	—	1.1	—	ns	3
Address and control input hold time	tIH	0.9	—	1.1	—	ns	3
Address and control input pulse width	tIPW	2.3	—	2.7	—	ns	3
Mode register set command cycle time	tMRD	2	—	2	—	tCK	
Active to Precharge command period	tRAS	40	120000	42	120000	ns	
Active to Active/Auto-refresh command period	tRC	55	—	60	—	ns	
Auto-refresh to Active/Auto-refresh command period	tRFC	72	—	72	—	ns	
Active to Read/Write delay	tRCD	15	—	18	—	ns	
Precharge to active command period	tRP	15	—	18	—	ns	
Column address to column address delay	tCCD	1	—	1	—	tCK	
Active to active command period	tRRD	10	—	12	—	ns	
Write recovery time	tWR	15	—	15	—	ns	

Parameter	Symbol	-5B		-6E		Unit	Notes
		min.	max.	min.	max.		
Autoprecharge write recovery and precharge time	tDAL	tWR + tRP	—	tWR + tRP	—	ns	
Self-refresh exit period	tSREX	120	—	120	—	ns	
Internal Write to Read command delay	tWTR	2	—	1	—	tCK	
Average periodic refresh interval	tREF	—	7.8	—	7.8	μs	

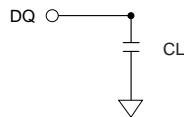
- Notes:
1. On all AC measurements, we assume the test conditions shown in “Test conditions” and full driver strength is assumed for the output load, that is both A6 and A5 of EMRS is set to be “L”.
 2. This parameter defines the signal transition delay from the cross point of CK and /CK. The signal transition is defined to occur when the signal level crossing VDDQ/2.
 3. The timing reference level is VDDQ/2.
 4. Output valid window is defined to be the period between two successive transition of data out signals. The signal transition is defined to occur when the signal level crossing VDDQ/2.
 5. tHZ is defined as DOUT transition delay from low-Z to high-Z at the end of read burst operation. The timing reference is cross point of CK and /CK. This parameter is not referred to a specific DOUT voltage level, but specify when the device output stops driving.
 6. tLZ is defined as DOUT transition delay from high-Z to low-Z at the beginning of read operation. This parameter is not referred to a specific DOUT voltage level, but specify when the device output begins driving.
 7. The transition from low-Z to high-Z is defined to occur when the device output stops driving. A specific reference voltage to judge this transition is not given.
 8. tAC, tDQSCK, tHZ and tLZ are specified with 15pF bus loading condition.

Test Conditions

Parameter	Symbol	Value	Unit	Note
Input high voltage	V _{IH} (AC)	1.6	V	
Input low voltage	V _{IL} (AC)	0.2	V	
Input differential voltage, CK and /CK inputs	V _{ID} (AC)	1.4	V	
Input differential cross point voltage, CK and /CK inputs	V _{Ix} (AC)	V _{DDQ} /2 with V _{DD} =V _{DDQ}	V	
Input signal slew rate	SLEW	1	V/ns	
Output load	CL	15	pF	



Test Condition (Wave form and Timing Reference)

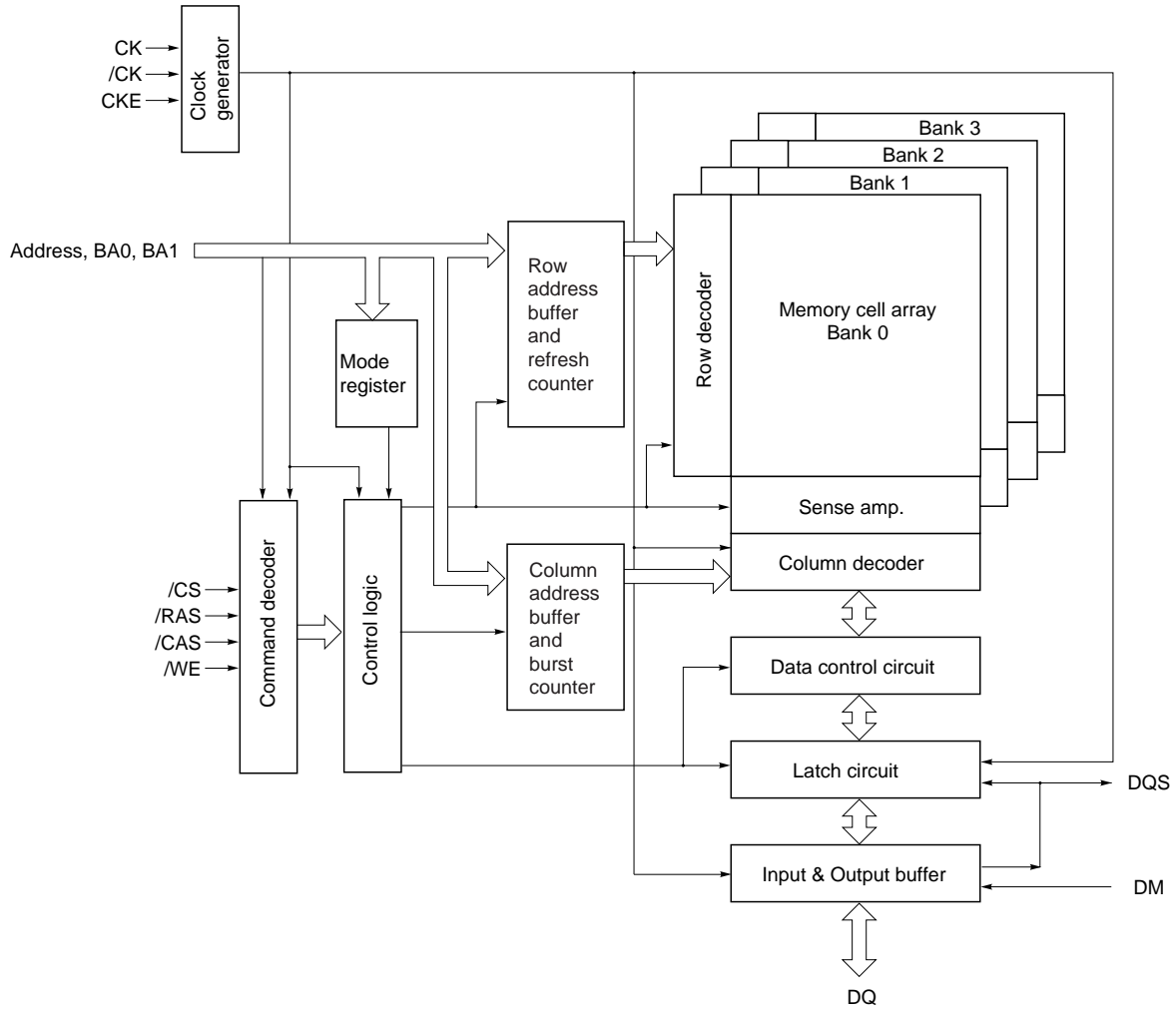


Output Load

Timing Parameter Measured in Clock Cycle

tCK	Parameter	Symbol	Number of clock cycle						Unit
			5.0ns		6.0ns		7.5ns		
			min.	max.	min.	max.	min.	max.	
	Write to pre-charge command delay (same bank)	tWPD	4 + BL/2	—	4 + BL/2	—	3 + BL/2	—	tCK
	Read to pre-charge command delay (same bank)	tRPD	BL/2	—	BL/2	—	BL/2	—	tCK
	Write to read command delay (to input all data)	tWRD	3 + BL/2	—	2 + BL/2	—	2 + BL/2	—	tCK
	Burst stop command to write command delay (CL = 3)	tBSTW	3	—	3	—	3	—	tCK
	Burst stop command to DQ high-Z (CL = 3)	tBSTZ	3	—	3	—	3	—	tCK
	Read command to write command delay (to output all data) (CL = 3)	tRWD	3 + BL/2	—	3 + BL/2	—	3 + BL/2	—	tCK
	Pre-charge command to high-Z (CL = 3)	tHWP	3	—	3	—	3	—	tCK
	Write command to data in latency	tWCD	1	—	1	—	1	—	tCK
	Write recovery	tWR	3	—	3	—	2	—	tCK
	DM to data in latency	tDMD	0	—	0	—	0	—	tCK
	Mode register set command cycle time	tMRD	2	—	2	—	2	—	tCK
	Self-refresh exit to non-column command	tSREX	24	—	20	—	16	—	tCK
	Auto-refresh period	tRFC	15	—	12	—	10	—	tCK
	Power-down entry	tPDEN	2	—	2	—	1	—	tCK
	Power-down exit to command input	tPDEX	1	—	1	—	1	—	tCK
	CKE minimum pulse width	tCKE	2	—	2	—	2	—	tCK

Block Diagram



Pin Function

CK, /CK (input pins)

The CK and the /CK are the master clock inputs. All inputs except DMs, DQSs and DQs are referred to the cross point of the CK rising edge and the /CK falling edge. When a read operation, DQSs and DQs are referred to the cross point of the CK and the /CK. When a write operation, DMs and DQs are referred to the cross point of the DQS and the VDDQ/2 level. DQSs for write operation are referred to the cross point of the CK and the /CK. The other input signals are referred at CK rising edge.

/CS (input pin)

When /CS is low, commands and data can be input. When /CS is high, all inputs are ignored. However, internal operations (bank active, burst operations, etc.) are held.

/RAS, /CAS, and /WE (input pins)

These pins define operating commands (read, write, etc.) depending on the combinations of their voltage levels. See "Command operation".

A0 to A12 (input pins)

Row address (AX0 to AX12) is determined by the A0 to the A12 level at the cross point of the CK rising edge and the /CK falling edge in a bank active command cycle. Column address is loaded at the cross point of the CK rising edge and the /CK falling edge in a read or a write command cycle (See "Address Pins Table"). This column address becomes the starting address of a burst operation.

[Address Pins Table]

Part number	Page size	Organization	Address (A0 to A12)	
			Row address	Column address
EDD51161DBH	2KB	× 16 bits	AX0 to AX12	AY0 to AY9

A10 (AP) (input pin)

A10 defines the precharge mode when a precharge command, a read command or a write command is issued. If A10 = high when a precharge command is issued, all banks are precharged. If A10 = low when a precharge command is issued, only the bank that is selected by BA1/BA0 is precharged. If A10 = high when read or write command, auto precharge function is enabled.

BA0 and BA1 (input pins)

BA0 and BA1 are bank select signals (BA). The memory array is divided into bank 0, bank 1, bank 2 and bank 3. (See Bank Select Signal Table)

[Bank Select Signal Table]

	BA0	BA1
Bank 0	L	L
Bank 1	H	L
Bank 2	L	H
Bank 3	H	H

Remark: H: VIH. L: VIL.

CKE (input pin)

CKE controls power-down mode, self-refresh function with other command inputs.

The CKE level must be kept for 2 clocks at least, that is, if CKE changes at the cross point of the CK rising edge and the /CK falling edge with proper setup time tIS, by the next CK rising edge CKE level must be kept with proper hold time tIH.

DQ0 to DQ15 (input/output pins)

Data are input to and output from these pins.

UDQS and LDQS (input and output pin): DQS provides the read data strobes (as output) and the write data strobes (as input). Each DQS pin corresponds to eight DQ pins, respectively (See DQS and DM Correspondence Table).

UDM and LDM (input pin)

DM is the reference signals of the data input mask function. DM is sampled at the cross point of DQS and VDDQ/2. When DM = high, the data input at the same timing are masked while the internal burst counter will be counting up. Each DM pin corresponds to eight DQ pins, respectively (See DQS and DM Correspondence Table).

[DQS and DM Correspondence Table]

Part number	Organization	DQS	Data mask	DQs
EDD51161DBH	× 16 bits	LDQS	LDM	DQ0 to DQ7
		UDQS	UDM	DQ8 to DQ15

VDD, VSS, VDDQ, VSSQ (Power supply)

VDD and VSS are power supply pins for internal circuits. VDDQ and VSSQ are power supply pins for the output buffers. VDD must be equal to VDDQ.

Command Operation

Command Truth Table

The DDR Mobile RAM recognizes the following commands specified by the /CS, /RAS, /CAS, /WE and address pins.

Command	Symbol	CKE		/CS	/RAS	/CAS	/WE	BA1	BA0	AP	Address
		n – 1	n								
Ignore command	DESL	H	H	H	x	x	x	x	x	x	x
No operation	NOP	H	H	L	H	H	H	x	x	x	x
Burst stop command	BST	H	H	L	H	H	L	x	x	x	x
Column address and read command	READ	H	H	L	H	L	H	V	V	L	V
Read with auto precharge	READA	H	H	L	H	L	H	V	V	H	V
Column address and write command	WRIT	H	H	L	H	L	L	V	V	L	V
Write with auto precharge	WRITA	H	H	L	H	L	L	V	V	H	V
Row address strobe and bank active	ACT	H	H	L	L	H	H	V	V	V	V
Precharge select bank	PRE	H	H	L	L	H	L	V	V	L	x
Precharge all bank	PALL	H	H	L	L	H	L	x	x	H	x
Refresh	REF	H	H	L	L	L	H	x	x	x	x
	SELF	H	L	L	L	L	H	x	x	x	x
Mode register set	MRS	H	H	L	L	L	L	L	L	L	V
	EMRS	H	H	L	L	L	L	H	L	L	V

Remark: H: VIH. L: VIL. x: Don't care V: Valid address input

Note: The CKE level must be kept for 1 CK cycle at least.

Ignore command [DESL]

When /CS is high at the cross point of the CK rising edge and the VDDQ/2 level, all input signals are neglected and internal state is held.

No operation [NOP]

As long as this command is input at the cross point of the CK rising edge and the VDDQ/2 level, address and data input are neglected and internal state is held.

Burst stop command [BST]

This command stops a current burst operation.

Column address strobe and read command [READ]

This command starts a read operation. The start address of the burst read is determined by the column address (See "Address Pins Table" in Pin Function) and the bank select address. After the completion of the read operation, all output buffers become high-Z.

Read with auto precharge [READA]

This command starts a read operation. After completion of the read operation, precharge is automatically executed.

Column address strobe and write command [WRIT]

This command starts a write operation. The start address of the burst write is determined by the column address (See "Address Pins Table" in Pin Function) and the bank select address.

Write with auto precharge [WRITA]

This command starts a write operation. After completion of the write operation, precharge is automatically executed.

Row address strobe and bank activate [ACT]

This command activates the bank that is selected by BA0 and BA1 (See Bank Select Signal Table) and determines the row address (Address Pins Table in "Pin Function").

Precharge selected bank [PRE]

This command starts precharge operation for the bank selected by BA0 and BA1. (See Bank Select Signal Table)

[Bank Select Signal Table]

	BA0	BA1
Bank 0	L	L
Bank 1	H	L
Bank 2	L	H
Bank 3	H	H

Remark: H: VIH. L: VIL.

Precharge all banks [PALL]

This command starts a precharge operation for all banks.

Refresh [REF/SELF]

This command starts a refresh operation. There are two types of refresh operation, one is auto-refresh, and another is self-refresh. For details, refer to the CKE truth table section.

Mode register set/Extended mode register set [MRS/EMRS]

The DDR Mobile RAM has the two mode registers, the mode register and the extended mode register, to defines how it works. The both mode registers are set through the address pins in the mode register set cycle. For details, refer to "Mode register and extended mode register set".

Function Truth Table

The following tables show the operations that are performed when each command is issued in each state of the DDR Mobile RAM.

Current state	/CS	/RAS	/CAS	/WE	Address	Command	Operation	
Precharging* ¹	H	x	x	x	x	DESL	NOP	
	L	H	H	H	x	NOP	NOP	
	L	H	H	L	x	BST	ILLEGAL* ¹¹	
	L	H	L	H	BA, CA, A10	READ/READA	ILLEGAL* ¹¹	
	L	H	L	L	BA, CA, A10	WRIT/WRITA	ILLEGAL* ¹¹	
	L	L	H	H	BA, RA	ACT	ILLEGAL* ¹¹	
	L	L	H	L	BA, A10	PRE, PALL	NOP	
	L	L	L	x	x		ILLEGAL	
Idle* ²	H	x	x	x	x	DESL	NOP	
	L	H	H	H	x	NOP	NOP	
	L	H	H	L	x	BST	NOP	
	L	H	L	H	BA, CA, A10	READ/READA	ILLEGAL* ¹¹	
	L	H	L	L	BA, CA, A10	WRIT/WRITA	ILLEGAL* ¹¹	
	L	L	H	H	BA, RA	ACT	Activating	
	L	L	H	L	BA, A10	PRE, PALL	NOP	
	L	L	L	H	x	REF, SELF	Refresh/ Self-refresh* ¹²	
Refresh (auto-refresh)* ³	L	L	L	L	MODE	MRS	Mode register set* ¹²	
	H	x	x	x	x	DESL	NOP	
	L	H	H	H	x	NOP	NOP	
	H	H	H	L	x	BST	ILLEGAL	
	L	H	L	x	x		ILLEGAL	
	L	L	x	x	x		ILLEGAL	
	Activating* ⁴	L	L	x	x	x		ILLEGAL
		H	x	x	x	x	DESL	NOP
L		H	H	H	x	NOP	NOP	
L		H	H	L	x	BST	ILLEGAL* ¹¹	
L		H	L	H	BA, CA, A10	READ/READA	ILLEGAL* ¹¹	
L		H	L	L	BA, CA, A10	WRIT/WRITA	ILLEGAL* ¹¹	
L		L	H	H	BA, RA	ACT	ILLEGAL* ¹¹	
L		L	H	L	BA, A10	PRE, PALL	ILLEGAL* ¹¹	
Active* ⁵	L	L	L	x	x		ILLEGAL	
	H	x	x	x	x	DESL	NOP	
	L	H	H	H	x	NOP	NOP	
	L	H	H	L	x	BST	NOP	
	L	H	L	H	BA, CA, A10	READ/READA	Starting read operation	
	L	H	L	L	BA, CA, A10	WRIT/WRITA	Starting write operation	
	L	L	H	H	BA, RA	ACT	ILLEGAL* ¹¹	
	L	L	H	L	BA, A10	PRE, PALL	Pre-charge	
L	L	L	x	x		ILLEGAL		

Current state	/CS	/RAS	/CAS	/WE	Address	Command	Operation
Read* ⁶	H	x	x	x	x	DESL	NOP
	L	H	H	H	x	NOP	NOP
	L	H	H	L	x	BST	Burst stop
	L	H	L	H	BA, CA, A10	READ/READA	Interrupting burst read operation to start new read
	L	H	L	L	BA, CA, A10	WRIT/WRITA	ILLEGAL* ¹³
	L	L	H	H	BA, RA	ACT	ILLEGAL* ¹¹
	L	L	H	L	BA, A10	PRE, PALL	Interrupting burst read operation to start pre-charge
	L	L	L	x	x		ILLEGAL
Read with auto pre-charge* ⁷	H	x	x	x	x	DESL	NOP
	L	H	H	H	x	NOP	NOP
	L	H	H	L	x	BST	ILLEGAL
	L	H	L	H	BA, CA, A10	READ/READA	ILLEGAL* ¹⁴
	L	H	L	L	BA, CA, A10	WRIT/WRITA	ILLEGAL* ¹⁴
	L	L	H	H	BA, RA	ACT	ILLEGAL* ^{11, 14}
	L	L	H	L	BA, A10	PRE, PALL	ILLEGAL* ^{11, 14}
	L	L	L	x	x		ILLEGAL
Write* ⁸	H	x	x	x	x	DESL	NOP
	L	H	H	H	x	NOP	NOP
	L	H	H	L	x	BST	Burst Stop
	L	H	L	H	BA, CA, A10	READ/READA	Interrupting burst write operation to start read operation.
	L	H	L	L	BA, CA, A10	WRIT/WRITA	Interrupting burst write operation to start new write operation.
	L	L	H	H	BA, RA	ACT	ILLEGAL* ¹¹
	L	L	H	L	BA, A10	PRE, PALL	Interrupting write operation to start pre-charge.
	L	L	L	x	x		ILLEGAL
Write recovering* ⁹	H	x	x	x	x	DESL	NOP
	L	H	H	H	x	NOP	NOP
	L	H	H	L	x	BST	ILLEGAL
	L	H	L	H	BA, CA, A10	READ/READA	Starting read operation.
	L	H	L	L	BA, CA, A10	WRIT/WRITA	Starting new write operation.
	L	L	H	H	BA, RA	ACT	ILLEGAL* ¹¹
	L	L	H	L	BA, A10	PRE/PALL	ILLEGAL* ¹¹
	L	L	L	x	x		ILLEGAL

Current state	/CS	/RAS	/CAS	/WE	Address	Command	Operation
Write with auto pre-charge*1	H	x	x	x	x	DESL	NOP
	L	H	H	H	x	NOP	NOP
	L	H	H	L	x	BST	ILLEGAL
	L	H	L	H	BA, CA, A10	READ/READA	ILLEGAL*14
	L	H	L	L	BA, CA, A10	WRIT/WRIT A	ILLEGAL*14
	L	L	H	H	BA, RA	ACT	ILLEGAL*11, 14
	L	L	H	L	BA, A10	PRE, PALL	ILLEGAL*11, 14
	L	L	L	x	x		ILLEGAL

Remark: H: VIH. L: VIL. x: Don't care.

- Notes:
- The DDR Mobile RAM is in "Precharging" state for tRP after precharge command is issued.
 - The DDR Mobile RAM reaches "IDLE" state tRP after precharge command is issued.
 - The DDR Mobile RAM is in "Refresh" state for tRFC after auto-refresh command is issued.
 - The DDR Mobile RAM is in "Activating" state for tRCD after ACT command is issued.
 - The DDR Mobile RAM is in "Active" state after "Activating" is completed.
 - The DDR Mobile RAM is in "READ" state until burst data have been output and DQ output circuits are turned off.
 - The DDR Mobile RAM is in "READ with auto precharge" from READA command until burst data has been output and DQ output circuits are turned off.
 - The DDR Mobile RAM is in "WRITE" state from WRIT command to the last burst data are input.
 - The DDR Mobile RAM is in "Write recovering" for tWR after the last data are input.
 - The DDR Mobile RAM is in "Write with auto precharge" until tWR after the last data has been input.
 - This command may be issued for other banks, depending on the state of the banks.
 - All banks must be in "IDLE".
 - Before executing a write command to stop the preceding burst read operation, BST command must be issued.
 - The DDR Mobile RAM supports the concurrent auto precharge feature, a read with auto precharge or a write with auto precharge, can be followed by any command to the other banks, as long as that command does not interrupt the read or write data transfer, and all other related limitations apply (e.g. contention between READ data and WRITE data must be avoided.)

The minimum delay from a read or write command with auto precharge, to a command to a different bank, is summarized below.

From command	To command (different bank, non-interrupting command)	Minimum delay (Concurrent AP supported)	Units
Read w/AP	Read or Read w/AP	BL/2	tCK
	Write or Write w/AP	CL (rounded up)+ (BL/2)	tCK
	Precharge or Activate	1	tCK
Write w/AP	Read or Read w/AP	1 + (BL/2) + tWTR	tCK
	Write or Write w/AP	BL/2	tCK
	Precharge or Activate	1	tCK

CKE Truth Table

Current state	Command	CKE						Address	Notes
		n - 1	n	/CS	/RAS	/CAS	/WE		
Idle	Auto-refresh command (REF)	H	H	L	L	L	H	×	2
Idle	Self-refresh entry (SELF)	H	L	L	L	L	H	×	2
Active/Idle	Power-down entry (PDEN)	H	L	L	H	H	H	×	
		H	L	H	×	×	×	×	
Self-refresh	Self-refresh exit (SELFX)	L	H	L	H	H	H	×	
		L	H	H	×	×	×	×	
Power-down	Power-down exit (PDEX)	L	H	L	H	H	H	×	
		L	H	H	×	×	×	×	

Notes: 1. H: VIH. L: VIL × : Don't care.

2. All the banks must be in IDLE before executing this command.

3. The CKE level must be kept for 1 clock cycle at least.

Auto-refresh command [REF]

This command executes auto-refresh. The bank and the ROW addresses to be refreshed are internally determined by the internal refresh controller. The output buffer becomes high-Z after auto-refresh start. Precharge has been completed automatically after the auto-refresh. The ACT or MRS command can be issued tRFC after the last auto-refresh command.

The average refresh cycle is 7.8µs. To allow for improved efficiency in scheduling, some flexibility in the absolute refresh interval (64ms) is provided. A maximum of eight auto-refresh commands can be posted to the DDR Mobile RAM or the maximum absolute interval between any auto-refresh command and the next auto-refresh command is 8 × tREF.

Self-refresh entry [SELF]

This command starts self-refresh. The self-refresh operation continues as long as CKE is held low. During the self-refresh operation, all ROW addresses are repeated refreshing by the internal refresh controller. A self-refresh is terminated by a self-refresh exit command.

Power-down mode entry [PDEN]

tPDEN after the cycle when [PDEN] is issued, the DDR Mobile RAM enters into power-down mode. In power-down mode, power consumption is suppressed by deactivating the input initial circuit. Power-down mode continues while CKE is held low. No internal refresh operation occurs during the power-down mode.

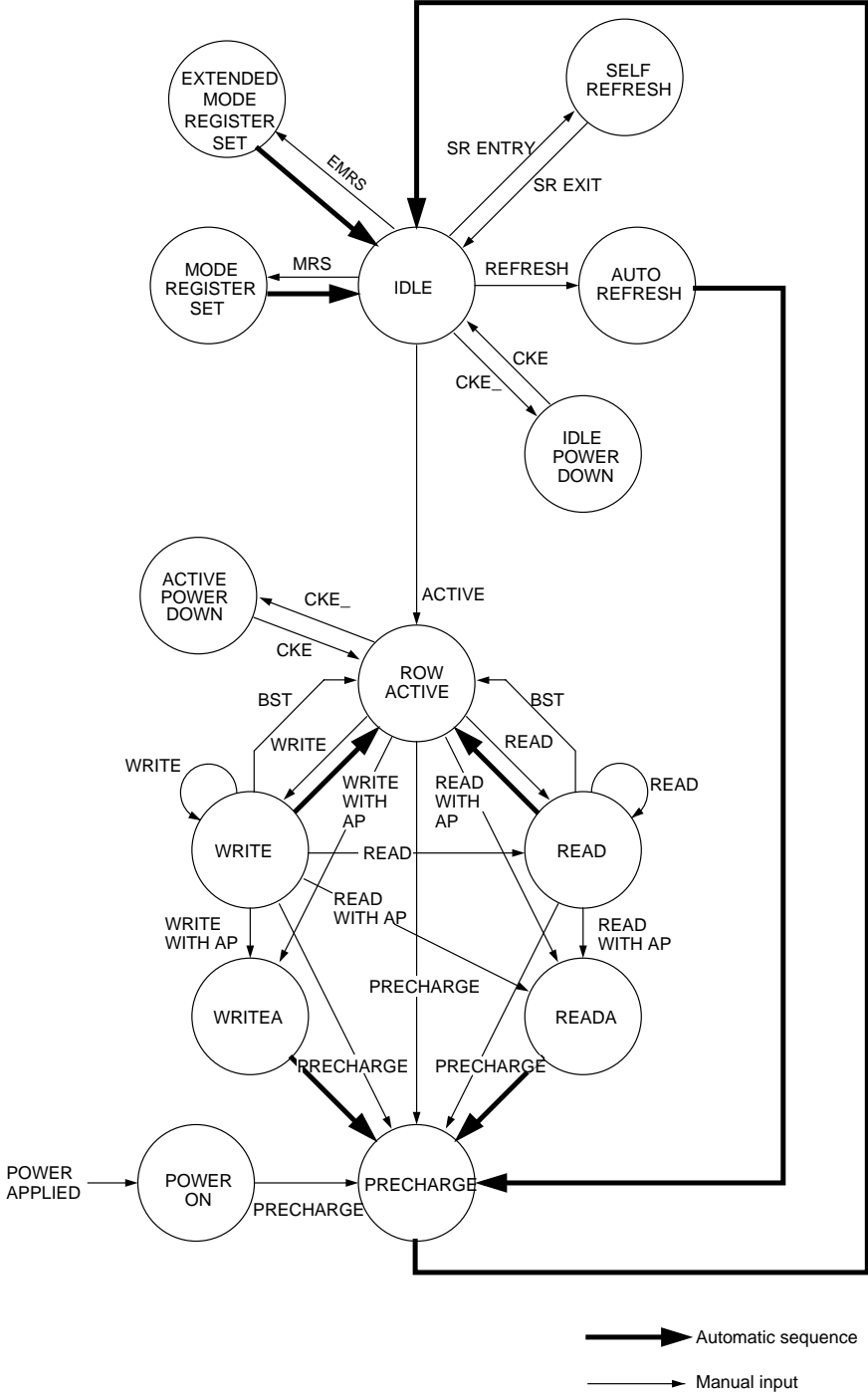
Self-refresh exit [SELFX]

This command is executed to exit from self-refresh mode. tSREX after [SELFX], the device will be into idle state.

Power-down exit [PDEX]

The DDR Mobile RAM can exit from power-down mode tPDEX (1 cycle min.) after the cycle when [PDEX] is issued.

Simplified State Diagram



Operation of the DDR Mobile RAM

Initialization

The DDR Mobile RAM is initialized in the power-on sequence according to the following.

1. Provide power, the device core power (VDD) and the device I/O power (VDDQ) must be brought up simultaneously to prevent device latch-up. Although not required, it is recommended that VDD and VDDQ are from the same power source. Also assert and hold Clock Enable (CKE) to a LV-CMOS logic high level.
2. Once the system has established consistent device power and CKE is driven high, it is safe to apply stable clock.
3. There must be at least 200 μ s of valid clocks before any command may be given to the DRAM. During this time NOP or deselect (DESL) commands must be issued on the command bus.
4. Issue a precharge all command.
5. Provide NOPs or DESL commands for at least tRP time.
6. Issue an auto-refresh command followed by NOPs or DESL command for at least tRFC time. Issue the second auto-refresh command followed by NOPs or DESL command for at least tRFC time. Note as part of the initialization sequence there must be two auto-refresh commands issued. The typical flow is to issue them at Step 6, but they may also be issued between steps 10 and 11.
7. Using the MRS command, load the base mode register. Set the desired operating modes.
8. Provide NOPs or DESL commands for at least tMRD time.
9. Using the MRS command, program the extended mode register for the desired operating modes.
10. Provide NOP or DESL commands for at least tMRD time.
11. The DRAM has been properly initialized and is ready for any valid command.

Mode Register and Extended Mode Register Set

There are two mode registers, the mode register and the extended mode register so as to define the operating mode. Parameters are set to both through the A0 to the A12 and BA0 and BA1 pins by the mode register set command [MRS] or the extended mode register set command [EMRS]. The mode register and the extended mode register are set by inputting signal via the A0 to the A12 and BA0 and BA1 pins during mode register set cycles. BA0 and BA1 determine which one of the mode register or the extended mode register are set. Prior to a read or a write operation, the mode register must be set.

Mode Register

The mode register has four fields;

- Reserved : A12 through A7
- /CAS latency : A6 through A4
- Burst type : A3
- Burst length : A2 through A0

Following mode register programming, no command can be issued before at least 2 clocks have elapsed.

/CAS Latency

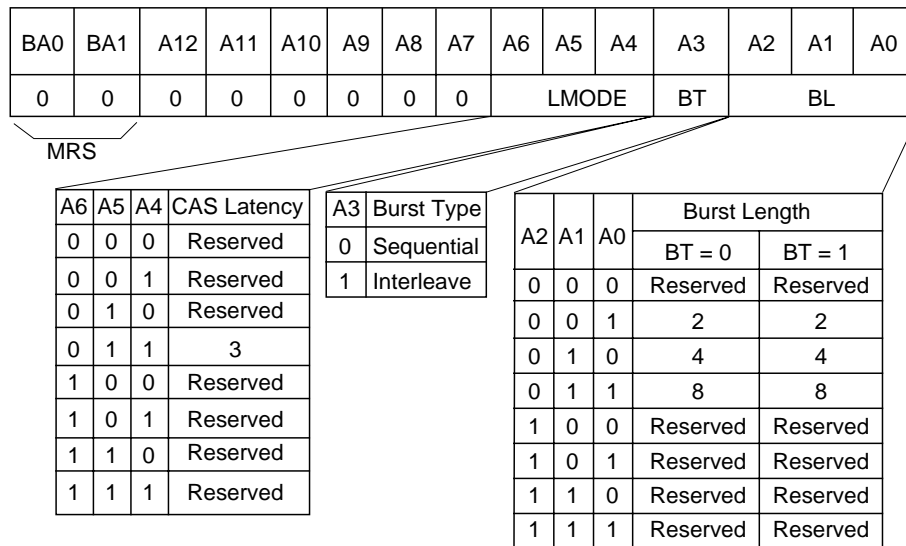
/CAS latency must be set to 3.

Burst Length

Burst Length is the number of words that will be output or input in a read or write cycle. After a read burst is completed, the output bus will become high-Z. The burst length is programmable as 2, 4 and 8.

Burst Type (Burst Sequence)

The burst type specifies the order in which the burst data will be addressed. This order is programmable as either "Sequential" or "Interleave". "Burst Operation" shows the addressing sequence for each burst length for each burst type.



Mode Register Set

Extended Mode Register

The extended mode register is as follows;

Reserved : A12 through A7, A4 through A0
 Driver Strength : A6 through A5

Following extended mode register programming, no command can be issued before at least 2 clocks have elapsed.

Driver Strength

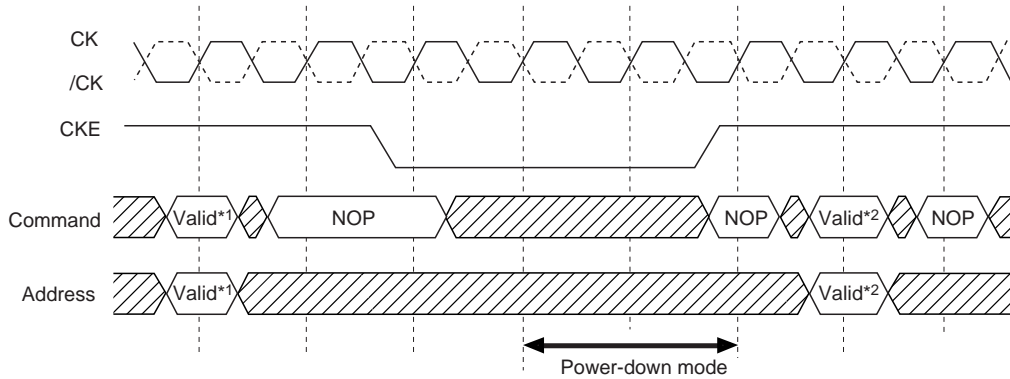
BA1	BA0	A12	A11	A10	A9	A8	A7	A6	A5	A4	A3	A2	A1	A0
1	0	0	0	0	0	0	0	DS	0	0	0	0	0	0

A6	A5	Driver Strength
0	0	Normal
0	1	1/2 strength
1	0	1/4 strength
1	1	Reserved

Extended Mode Register Set

Power-Down Mode and CKE Control

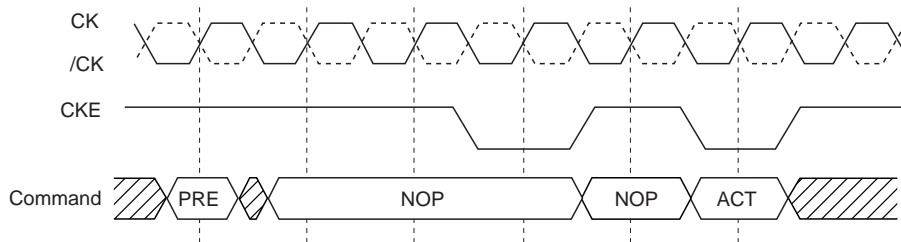
DDR Mobile RAM will be into power-down mode at the second CK rising edge after CKE to be low level with NOP or DESL command at first CK rising edge after CKE signal to be low.



- Notes: 1. Valid*1 can be either Activate command or Precharge command, When Valid*1 is Activate command, power-down mode will be active power-down mode, while it will be precharge power down mode, if Valid*1 will be Precharge command.
- 2. Valid*2 can be any command as long as all of specified AC parameters are satisfied.

Power-Down Entry and Exit

However, if the CKE has one clock cycle high and on clock cycle low just as below, even DDR Mobile RAM will not enter power-down mode, this command flow does not hurt any data and can be done.



Note: Assume PRE and ACT command is closing and activating same bank.

CKE Control

Burst Operation

The burst type (BT) and the first three bits of the column address determine the order of a data out.

Burst length = 2

Starting Ad.	Addressing(decimal)	
A0	Sequence	Interleave
0	0, 1,	0, 1,
1	1, 0,	1, 0,

Burst length = 4

Starting Ad.		Addressing(decimal)	
A1	A0	Sequence	Interleave
0	0	0, 1, 2, 3,	0, 1, 2, 3,
0	1	1, 2, 3, 0,	1, 0, 3, 2,
1	0	2, 3, 0, 1,	2, 3, 0, 1,
1	1	3, 0, 1, 2,	3, 2, 1, 0,

Burst length = 8

Starting Ad.			Addressing(decimal)	
A2	A1	A0	Sequence	Interleave
0	0	0	0, 1, 2, 3, 4, 5, 6, 7,	0, 1, 2, 3, 4, 5, 6, 7,
0	0	1	1, 2, 3, 4, 5, 6, 7, 0,	1, 0, 3, 2, 5, 4, 7, 6,
0	1	0	2, 3, 4, 5, 6, 7, 0, 1,	2, 3, 0, 1, 6, 7, 4, 5,
0	1	1	3, 4, 5, 6, 7, 0, 1, 2,	3, 2, 1, 0, 7, 6, 5, 4,
1	0	0	4, 5, 6, 7, 0, 1, 2, 3,	4, 5, 6, 7, 0, 1, 2, 3,
1	0	1	5, 6, 7, 0, 1, 2, 3, 4,	5, 4, 7, 6, 1, 0, 3, 2,
1	1	0	6, 7, 0, 1, 2, 3, 4, 5,	6, 7, 4, 5, 2, 3, 0, 1,
1	1	1	7, 0, 1, 2, 3, 4, 5, 6,	7, 6, 5, 4, 3, 2, 1, 0,

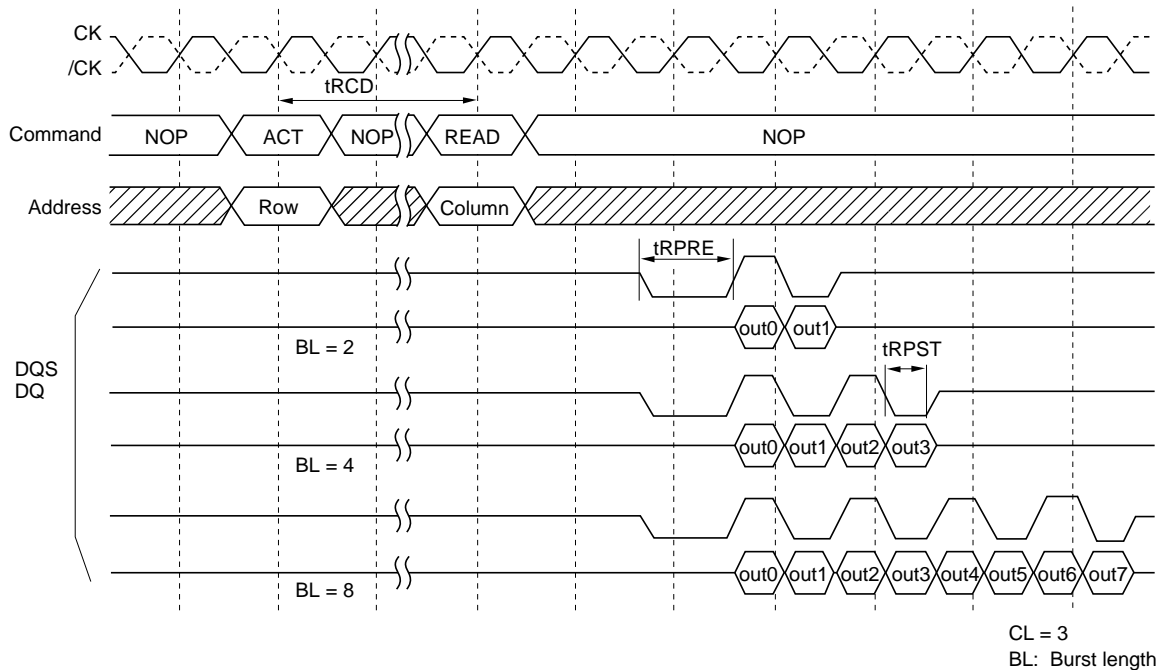
Read/Write Operations

Bank Active

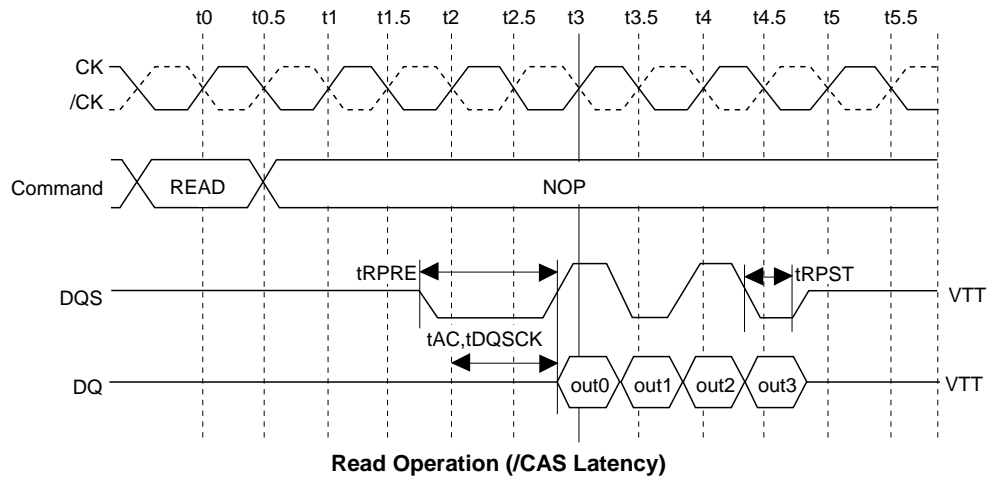
A read or a write operation begins with the bank active command [ACT]. The bank active command determines a bank address and a row address. For the bank and the row, a read or a write command can be issued tRCD after the ACT is issued.

Read Operation

The burst length (BL), the /CAS latency (CL) and the burst type (BT) of the mode register are referred when a read command is issued. The burst length (BL) determines the length of a sequential output data by the read command that can be set to 2, 4 or 8. The starting address of the burst read is defined by the column address, the bank select address (See "Pin Function") in the cycle when the read command is issued. The data output timing is characterized by CL and tAC. The read burst start $(CL-1) \times tCK + tAC$ (ns) after the clock rising edge where the read command is latched. The DDR Mobile RAM outputs the data strobe through DQS pins simultaneously with data. tRPRE prior to the first rising edge of the data strobe, the DQS pins are driven low from high-Z state. This low period of DQS is referred as read preamble. The burst data are output coincidentally at both the rising and falling edge of the data strobe. The DQ pins become high-Z in the next cycle after the burst read operation completed. tRPST from the last falling edge of the data strobe, the DQS pins become high-Z. This low period of DQS is referred as read postamble.

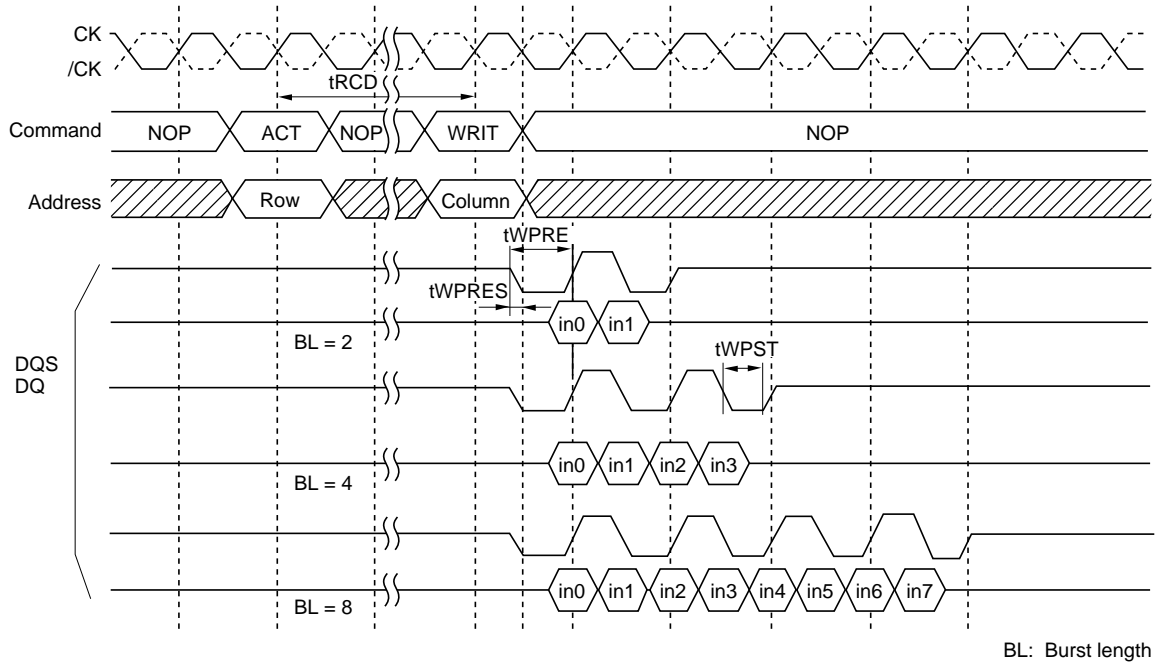


Read Operation (Burst Length)



Write Operation

The burst length (BL) and the burst type (BT) of the mode register are referred when a write command is issued. The burst length (BL) determines the length of a sequential data input by the write command that can be set to 2, 4 or 8. The latency from write command to data input is fixed to 1. The starting address of the burst write is defined by the column address, the bank select address (See "Pin Function") in the cycle when the write command is issued. DQS should be input as the strobe for the input-data and DM as well during burst operation. t_{WPRES} prior to the first rising edge of DQS, DQS must be set to low. t_{WPST} after the last falling edge of DQS, the DQS pins can be changed to high-Z. The leading low period of DQS is referred as write preamble. The last low period of DQS is referred as write postamble.



Write Operation

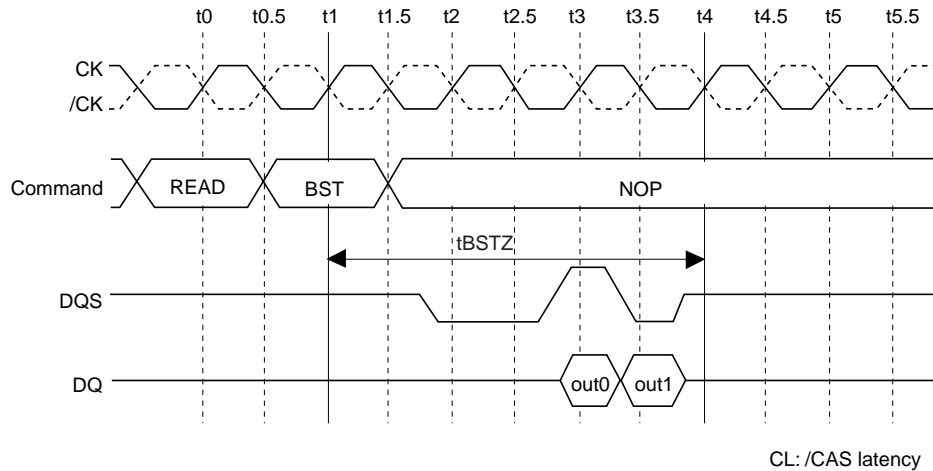
Burst Stop

Burst Stop Command during Burst Operation

The burst stop (BST) command stops the burst read and sets all output buffers to high-Z. t_{BSTZ} (= CL) cycles after a BST command issued, all DQ and DQS pins become high-Z.

The BST command is also supported for the burst write operation. No data will be written in subsequent cycles.

Note that bank address is not referred when this command is executed.

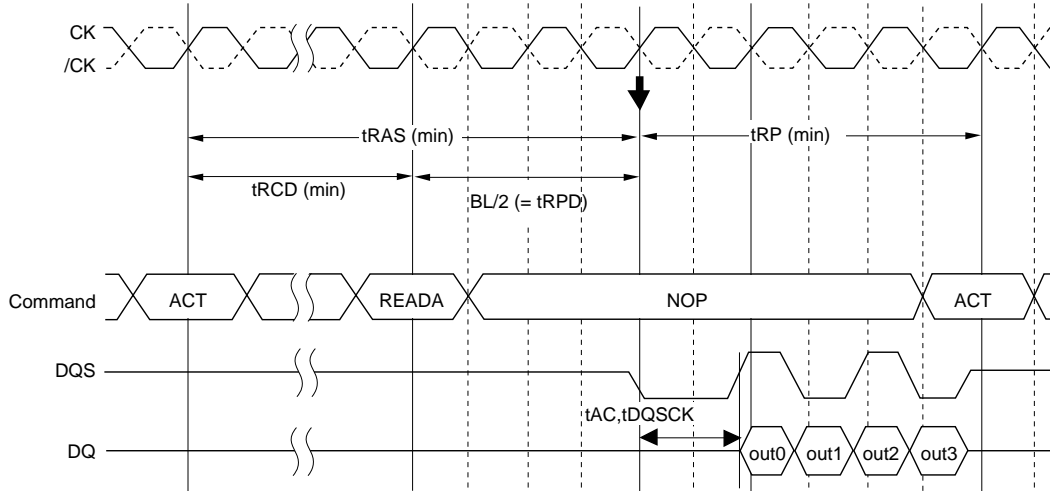


Burst Stop during a Read Operation

Auto Precharge

Read with Auto Precharge

The precharge is automatically performed after completing a read operation. The precharge starts $BL/2 (= tRPD)$ clocks after READA command input. $tRAS$ lock out mechanism for READA allows a read command with auto precharge to be issued to a bank that has been activated (opened) but has not yet satisfied the $tRAS$ (min) specification. A column command to the other active bank can be issued the next cycle after the last data output. Read with auto precharge command does not limit row commands execution for other bank.



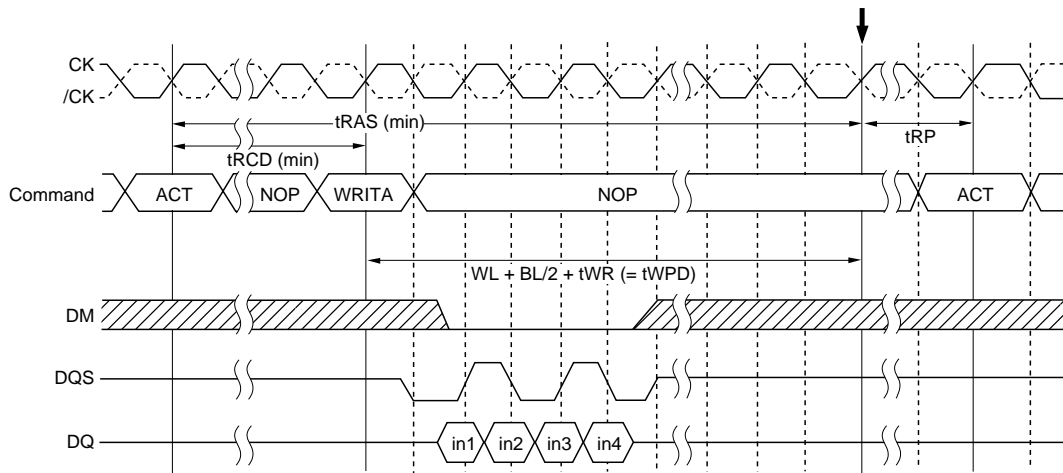
Note: Internal auto-precharge starts at the timing indicated by "↓".

Read with auto precharge

Write with Auto Precharge

The precharge is automatically performed after completing a burst write operation. The precharge operation is started Write latency (WL) + $BL/2 + tWR (= tWPD)$ clocks after WRITA command issued.

A column command to the other banks can be issued the next cycle after the internal precharge command issued. Write with auto precharge command does not limit row commands execution for other bank.



Note: Internal auto-precharge starts at the timing indicated by "↓".

BL = 4

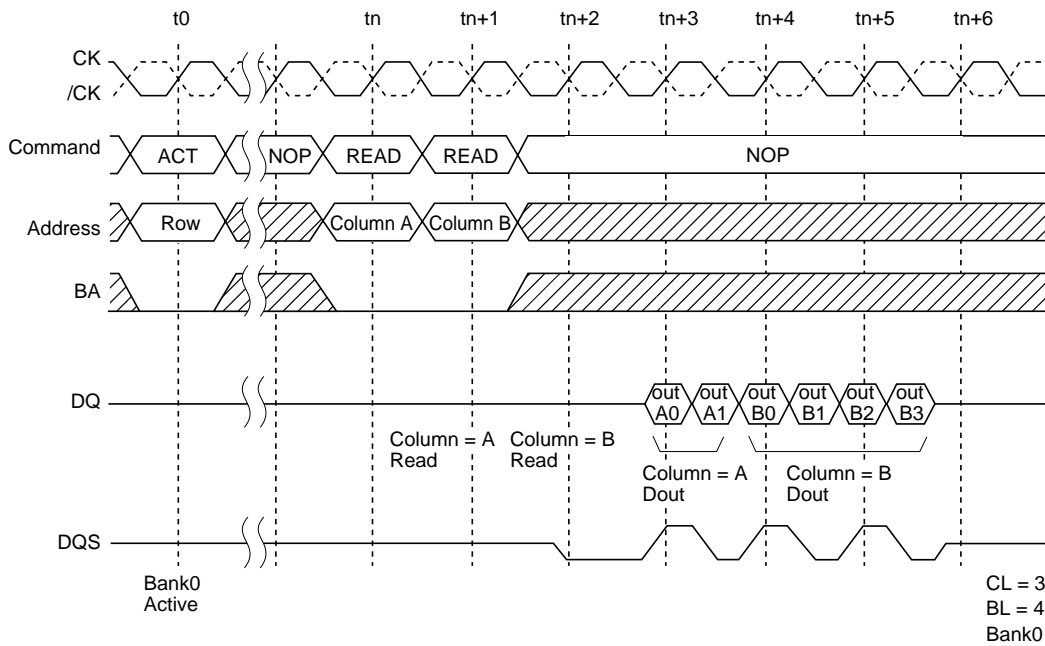
Burst Write (BL = 4)

Command Intervals

A Read Command to the Consecutive Read Command Interval

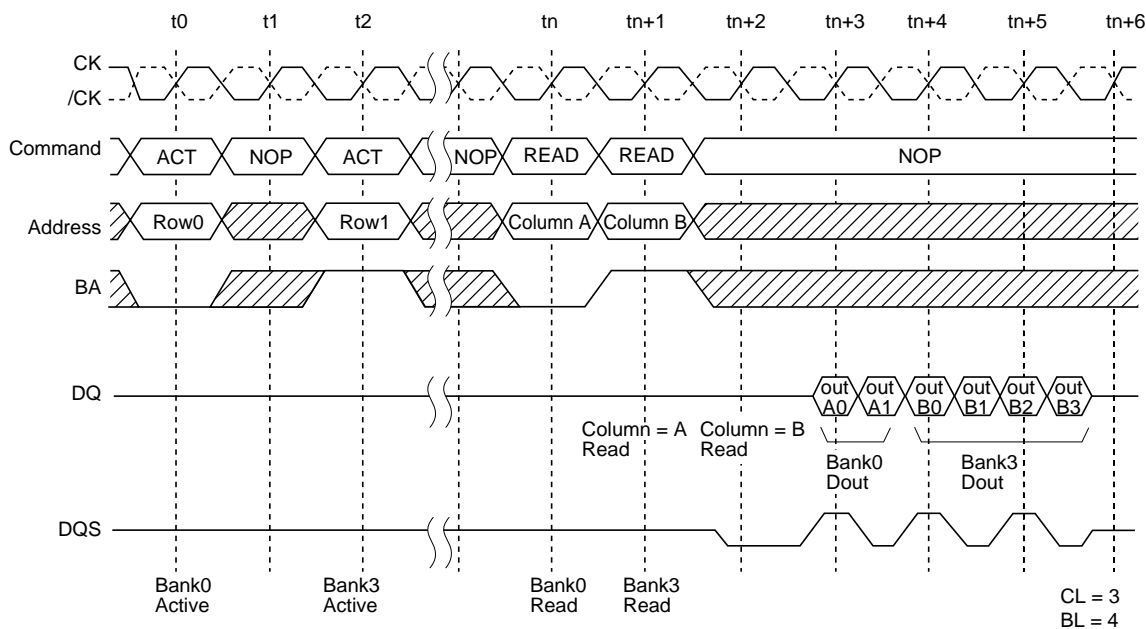
Destination row of the consecutive read command

Bank address	Row address	State	Operation
1. Same	Same	ACTIVE	The consecutive read can be performed after an interval of no less than 1 cycle to interrupt the preceding read operation.
2. Same	Different	—	Precharge the bank to interrupt the preceding read operation. tRP after the precharge command, issue the ACT command. tRCD after the ACT command, the consecutive read command can be issued. See 'A read command to the consecutive precharge interval' section.
3. Different	Any	ACTIVE	The consecutive read can be performed after an interval of no less than 1 cycle to interrupt the preceding read operation.
		IDLE	Precharge the bank without interrupting the preceding read operation. tRP after the precharge command, issue the ACT command. tRCD after the ACT command, the consecutive read command can be issued.



READ to READ Command Interval (same ROW address in the same bank)*

Note: $n \geq 4$



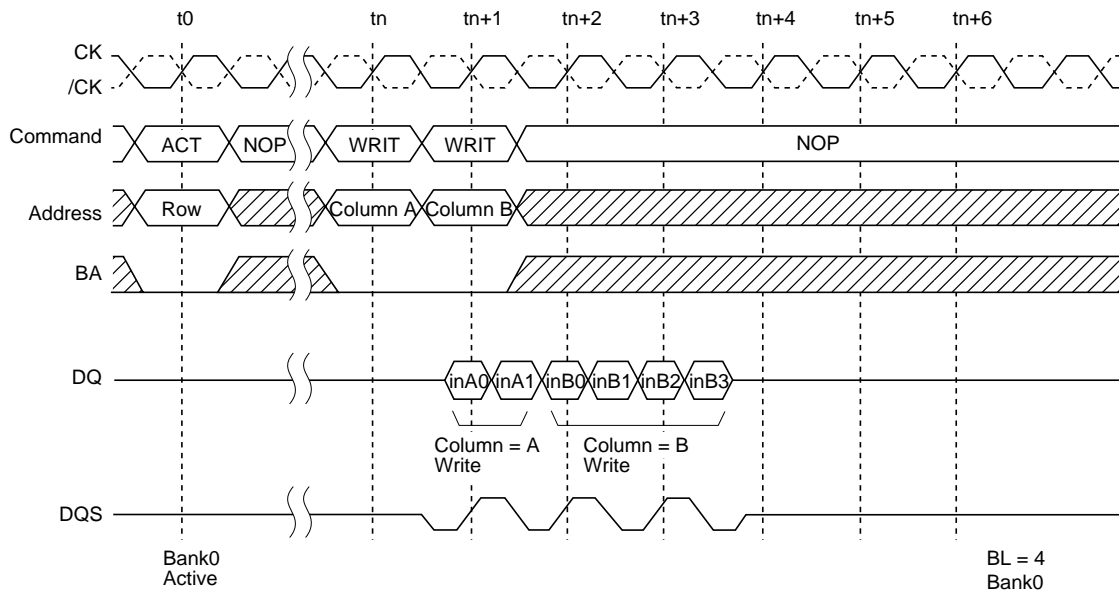
READ to READ Command Interval (different bank)*

Note: $n \geq 4$

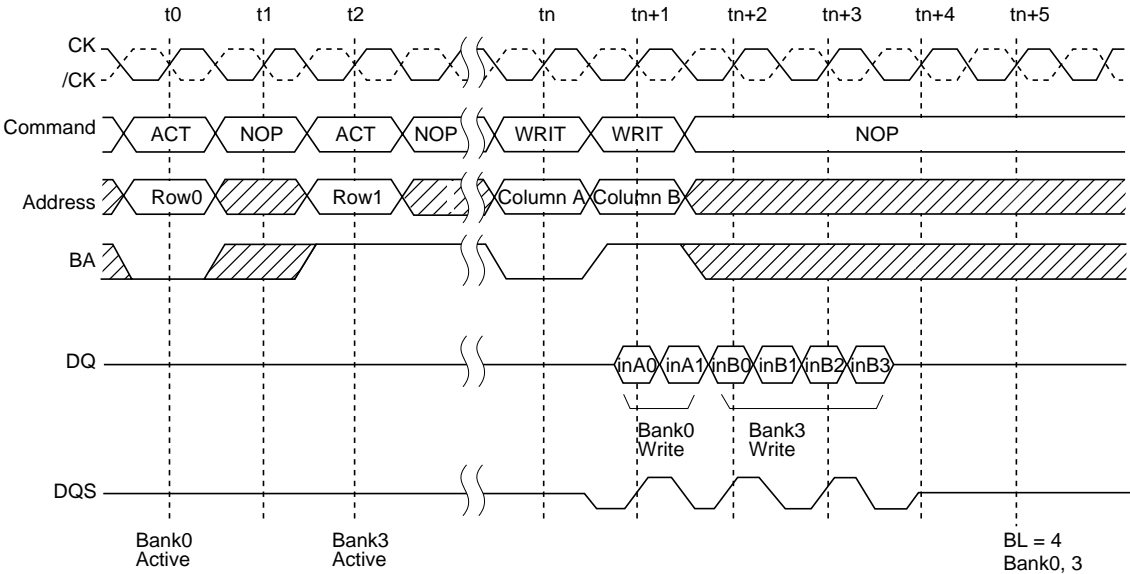
A Write Command to the Consecutive Write Command Interval

Destination row of the consecutive write command

Bank address	Row address	State	Operation
1. Same	Same	ACTIVE	The consecutive write can be performed after an interval of no less than 1 cycle to interrupt the preceding write operation.
2. Same	Different	—	Precharge the bank to interrupt the preceding write operation. tRP after the precharge command, issue the ACT command. tRCD after the ACT command, the consecutive write command can be issued. See 'A write command to the consecutive precharge interval' section.
3. Different	Any	ACTIVE	The consecutive write can be performed after an interval of no less than 1 cycle to interrupt the preceding write operation.
		IDLE	Precharge the bank without interrupting the preceding write operation. tRP after the precharge command, issue the ACT command. tRCD after the ACT command, the consecutive write command can be issued.



WRITE to WRITE Command Interval (same ROW address in the same bank)

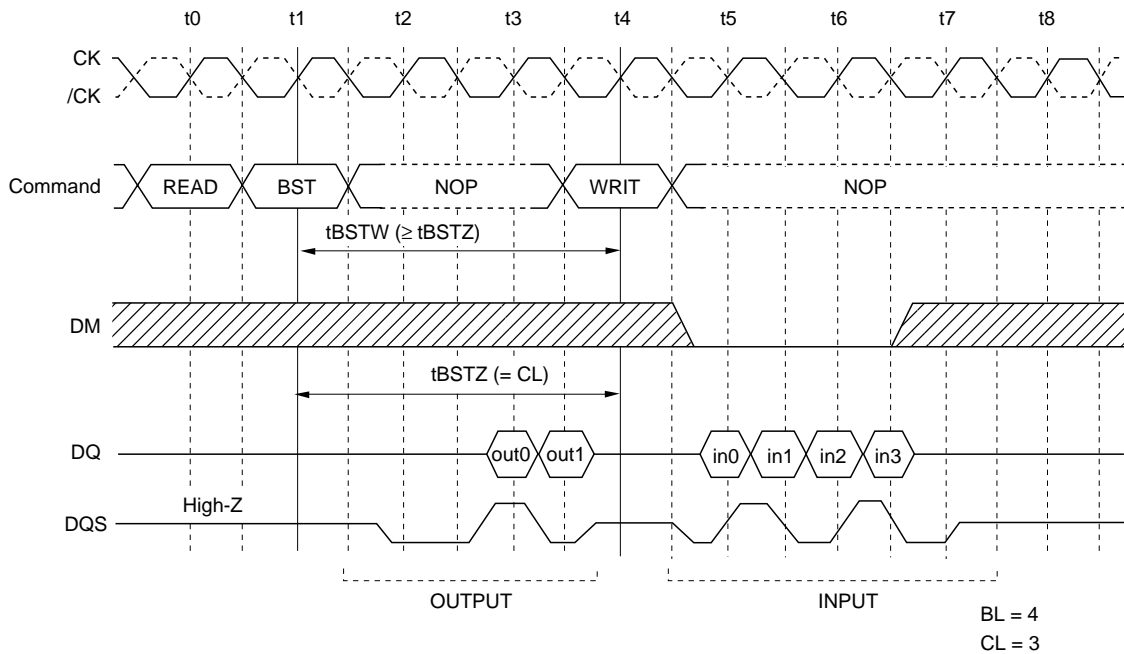


WRITE to WRITE Command Interval (different bank)

A Read Command to the Consecutive Write Command Interval with the BST Command

Destination row of the consecutive write command

Bank address	Row address	State	Operation
1. Same	Same	ACTIVE	Issue the BST command. $t_{BSTW} (\geq t_{BSTZ})$ after the BST command, the consecutive write command can be issued.
2. Same	Different	—	Precharge the bank to interrupt the preceding read operation. t_{RP} after the precharge command, issue the ACT command. t_{RCD} after the ACT command, the consecutive write command can be issued. See 'A read command to the consecutive precharge interval' section.
3. Different	Any	ACTIVE	Issue the BST command. $t_{BSTW} (\geq t_{BSTZ})$ after the BST command, the consecutive write command can be issued.
		IDLE	Precharge the bank independently of the preceding read operation. t_{RP} after the precharge command, issue the ACT command. t_{RCD} after the ACT command, the consecutive write command can be issued.

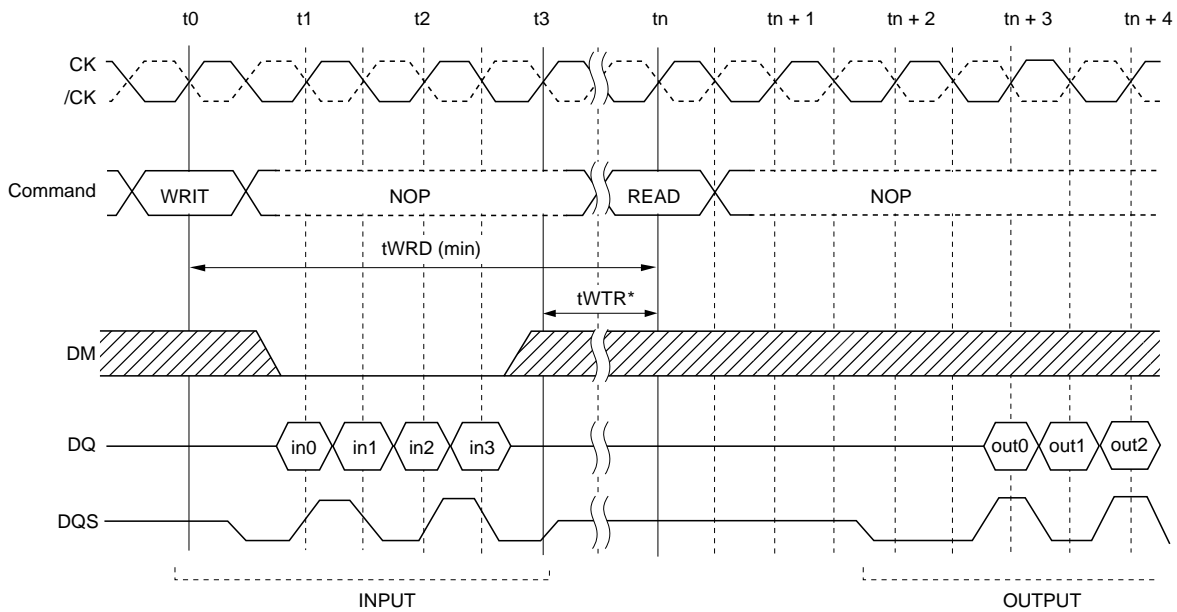


READ to WRITE Command Interval

A Write Command to the Consecutive Read Command Interval: To Complete the Burst Operation

Destination row of the consecutive read command

Bank address	Row address	State	Operation
1. Same	Same	ACTIVE	To complete the burst operation, the consecutive read command should be performed t_{WRD} after the write command.
2. Same	Different	—	Precharge the bank t_{WPD} after the preceding write command. t_{RP} after the precharge command, issue the ACT command. t_{RCD} after the ACT command, the consecutive read command can be issued. See 'A read command to the consecutive precharge interval' section.
3. Different	Any	ACTIVE	To complete a burst operation, the consecutive read command should be performed t_{WRD} after the write command.
		IDLE	Precharge the bank independently of the preceding write operation. t_{RP} after the precharge command, issue the ACT command. t_{RCD} after the ACT command, the consecutive read command can be issued.



Note: t_{WTR} is referenced from the first positive CK edge after the last desired data in pair t_{WTR} .

BL = 4
CL = 3

WRITE to READ Command Interval

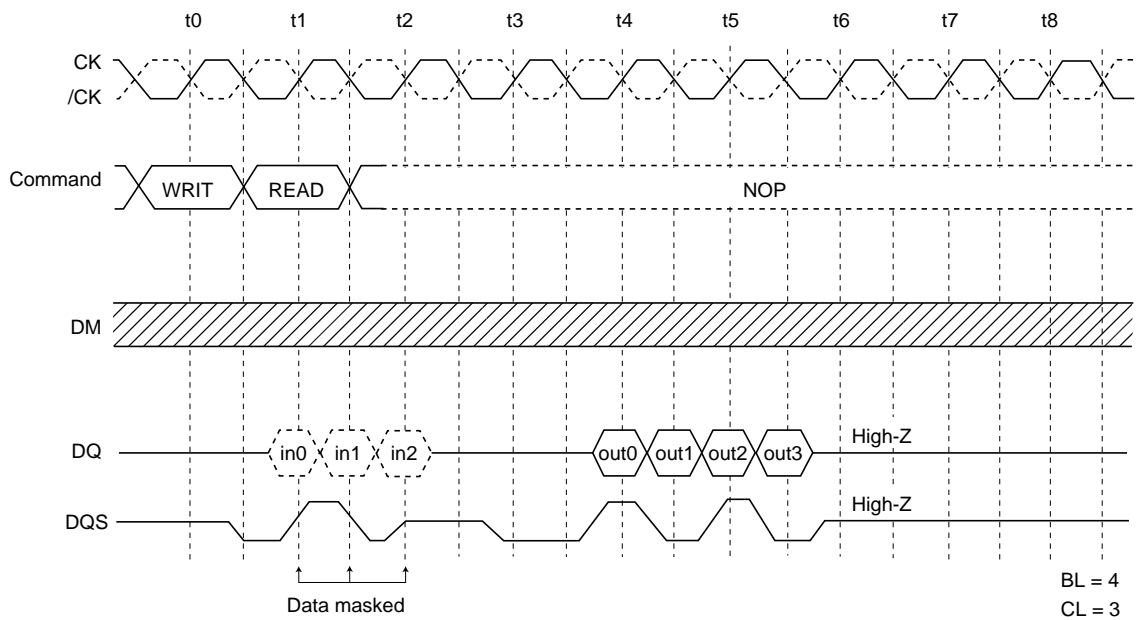
A Write Command to the Consecutive Read Command Interval: To Interrupt the Write Operation

Destination row of the consecutive read command

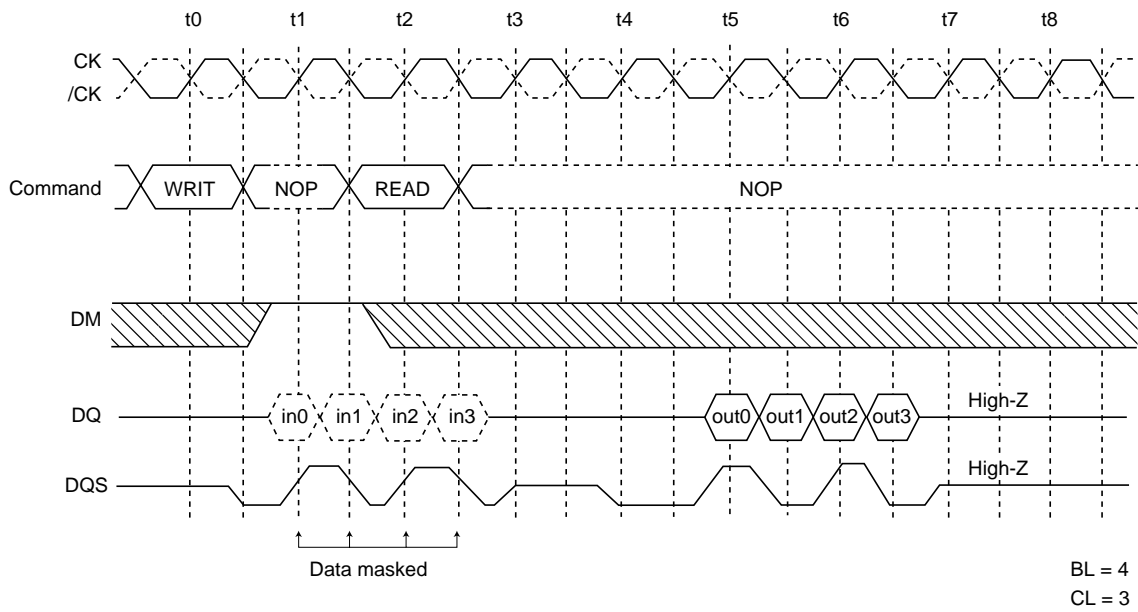
Bank address	Row address	State	Operation
1. Same	Same	ACTIVE	DM must be input 1 cycle prior to the read command input to prevent from being written invalid data. In case, the read command is input in the next cycle of the write command, DM is not necessary.
2. Same	Different	—	—*1
3. Different	Any	ACTIVE	DM must be input 1 cycle prior to the read command input to prevent from being written invalid data. In case, the read command is input in the next cycle of the write command, DM is not necessary.
		IDLE	—*1

Note: 1. Precharge must be preceded to read command. Therefore read command can not interrupt the write operation in this case.

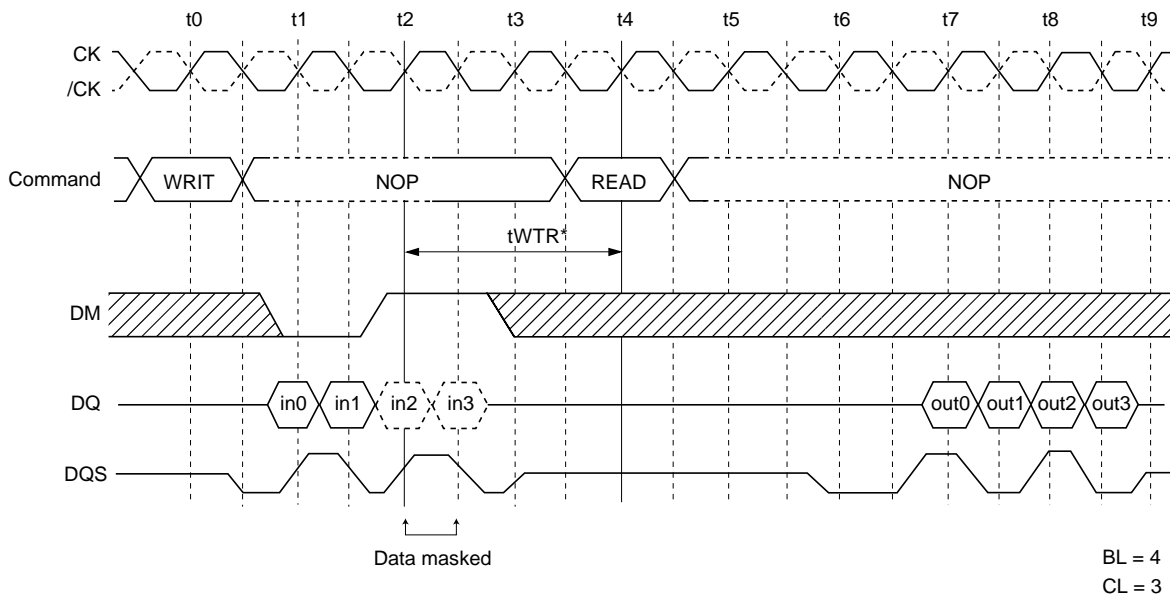
WRITE to READ Command Interval (Same bank, same ROW address)



[WRITE to READ delay = 1 clock cycle]



[WRITE to READ delay = 2 clock cycle]

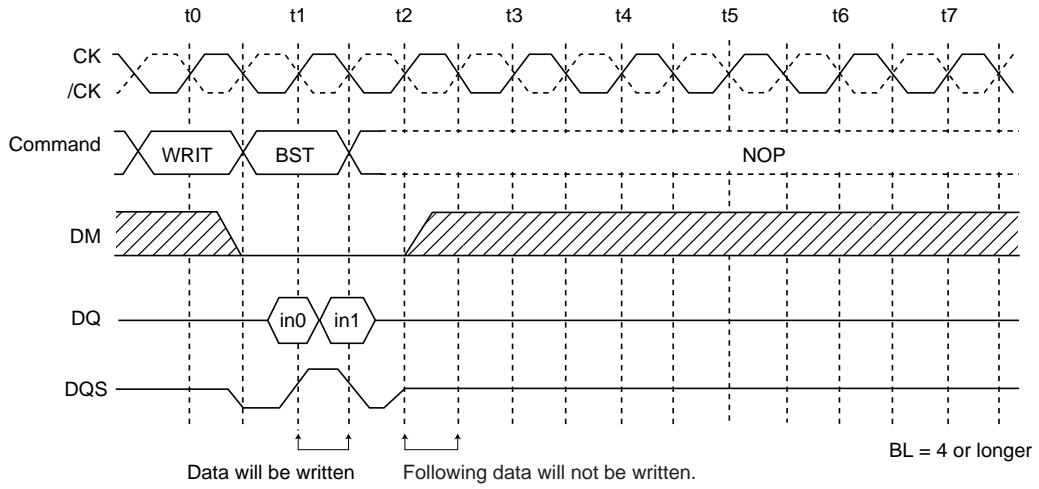


Note: t_{WTR} is referenced from the first positive CK edge after the last desired data in pair t_{WTR} .

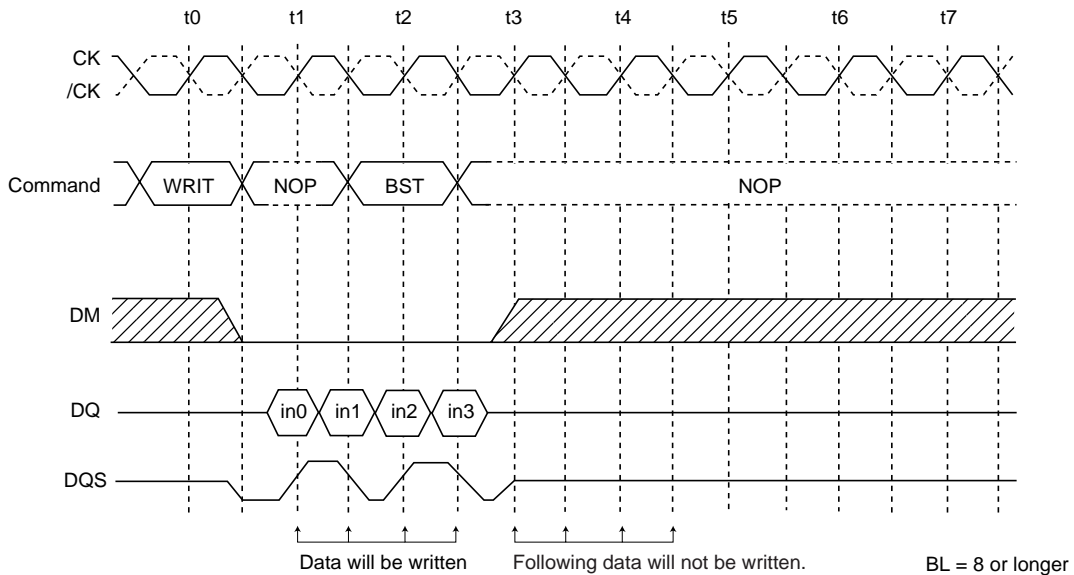
[WRITE to READ delay = 4 clock cycle]

A Write Command to the Bust Stop Command Interval: To Interrupt the Write Operation

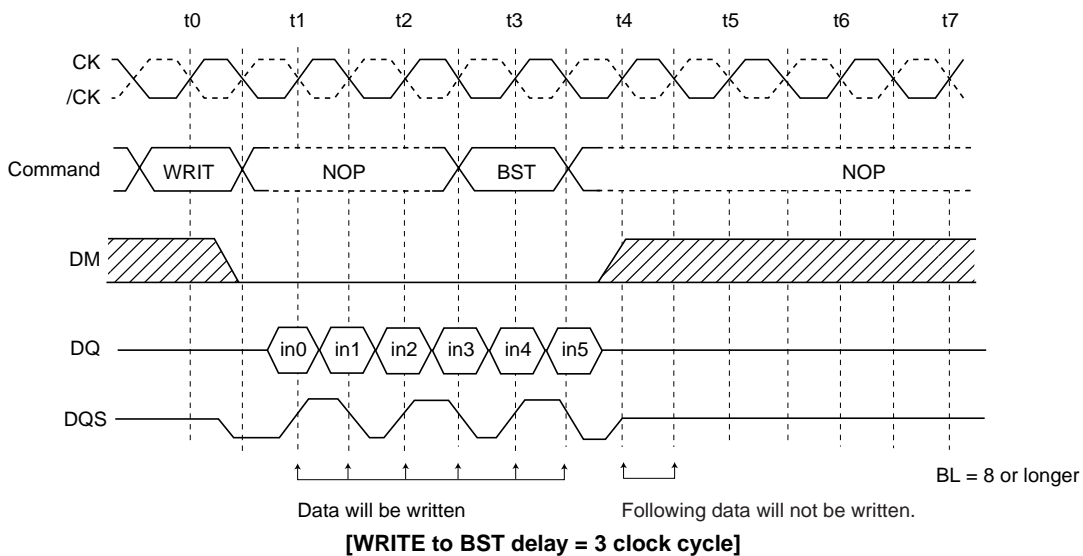
WRITE to BST Command Interval (Same bank, same ROW address)



[WRITE to BST delay = 1 clock cycle]



[WRITE to BST delay = 2 clock cycle]



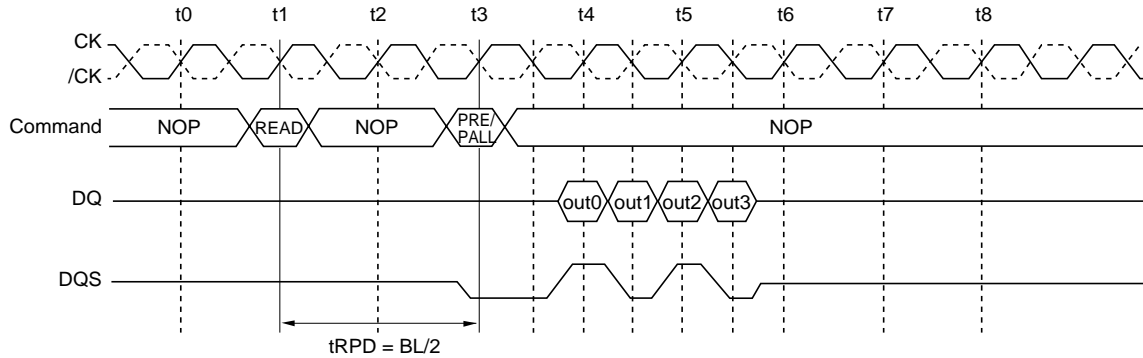
A READ Command to the Consecutive Precharge Command Interval

Operation by each case of destination bank of the consecutive Precharge command.

Bank address	Operation
1. Same	The PRE and PALL command can interrupt a read operation. To complete a burst read operation, tRPD is required between the read and the precharge command. Please refer to the following timing chart.
2. Different	The PRE command does not interrupt a read command. No interval timing is required between the read and the precharge command.

READ to PRECHARGE Command Interval (same bank) : To output all data

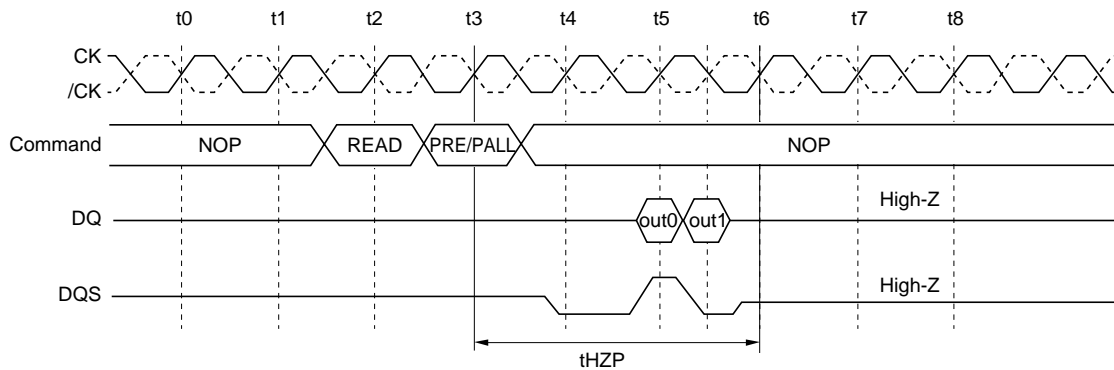
To complete a burst read operation and get a burst length of data, the consecutive precharge command must be issued tRPD (= BL/ 2 cycles) after the read command is issued.



READ to PRECHARGE Command Interval (same bank): To output all data (CL = 3, BL = 4)

READ to PRECHARGE Command Interval (same bank): To stop output data

A burst data output can be interrupted with a precharge command. All DQ pins and DQS pins become high-Z tHZP (= CL) after the precharge command.



READ to PRECHARGE Command Interval (same bank): To stop output data (CL = 3, BL = 4, 8)

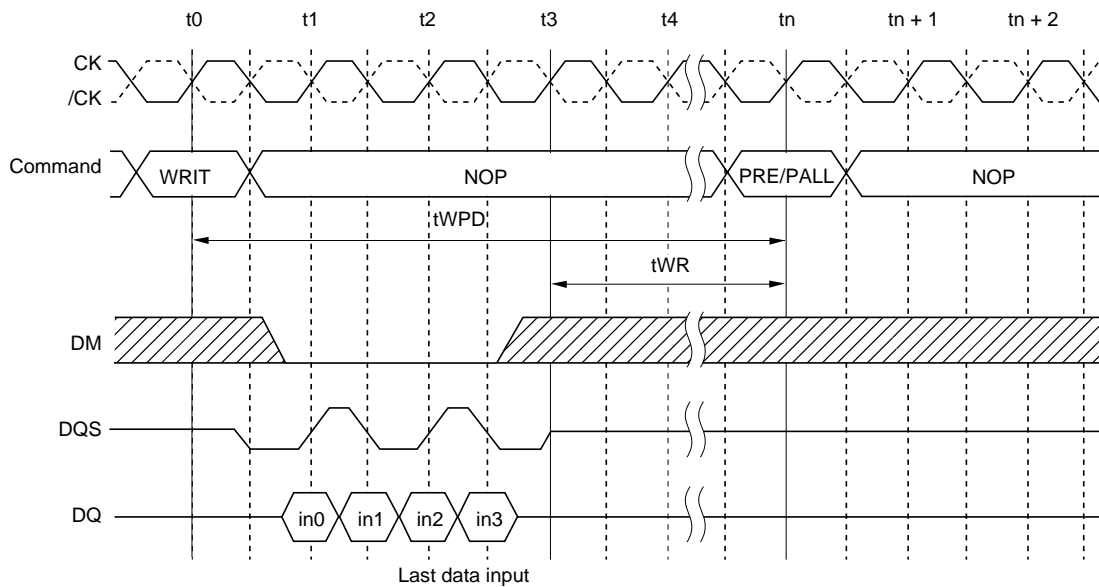
A Write Command to the Consecutive Precharge Command Interval (same bank)

Operation by each case of destination bank of the consecutive Precharge command.

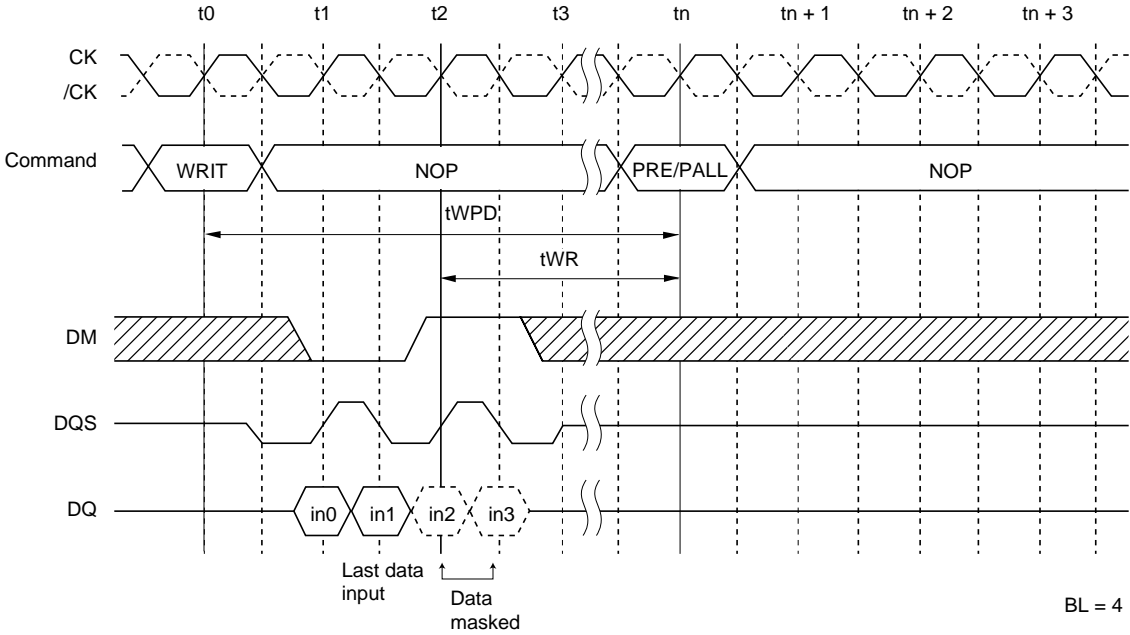
Bank address	Operation
1. Same	The PRE and PALL command can interrupt a write operation. To complete a burst write operation, t_{WPD} is required between the write and the precharge command. Please refer to the following timing chart.
2. Different	The PRE command does not interrupt a write command. No interval timing is required between the write and the precharge command.

WRITE to PRECHARGE Command Interval (same bank)

The minimum interval t_{WPD} is necessary between the write command and the precharge command.



WRITE to PRECHARGE Command Interval (same bank) (BL = 4)

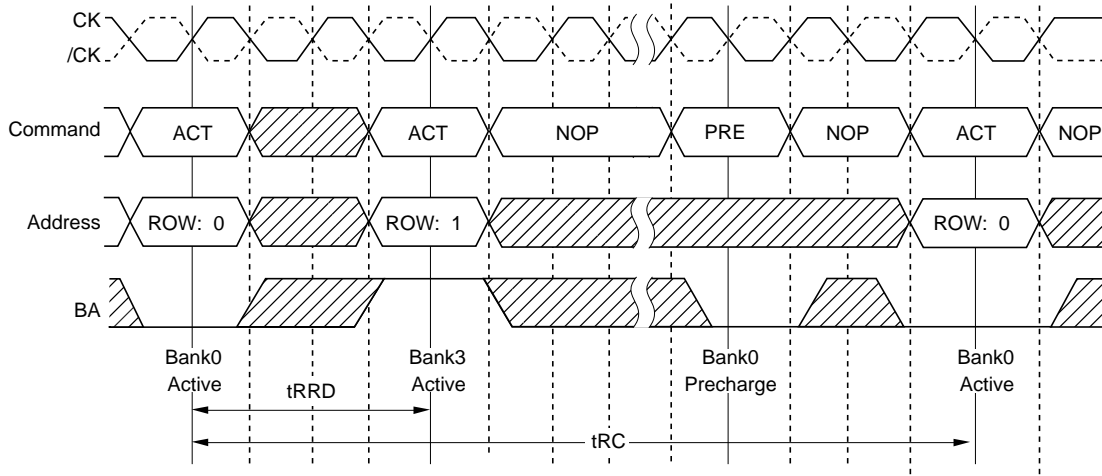


WRITE to PRECHARGE Command Interval (same bank) (BL = 4, DM to mask data)

Bank Active Command Interval

Destination row of the consecutive ACT command

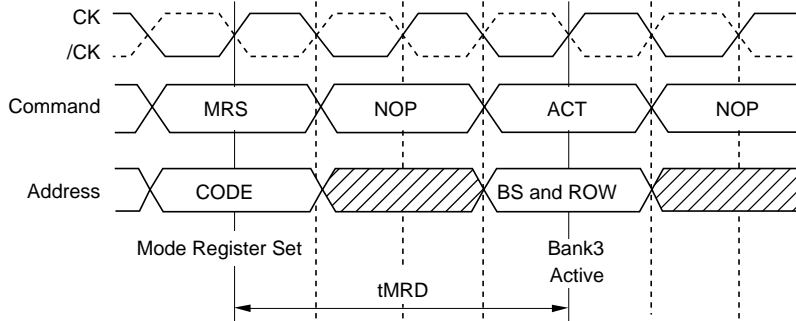
Bank address	Row address	State	Operation
1. Same	Any	ACTIVE	Two successive ACT commands can be issued at tRC interval. In between two successive ACT operations, precharge command should be executed.
2. Different	Any	ACTIVE	Precharge the bank. tRP after the precharge command, the consecutive ACT command can be issued.
		IDLE	tRRD after an ACT command, the next ACT command can be issued.



Bank Active to Bank Active

Mode Register Set to Bank-Active Command Interval

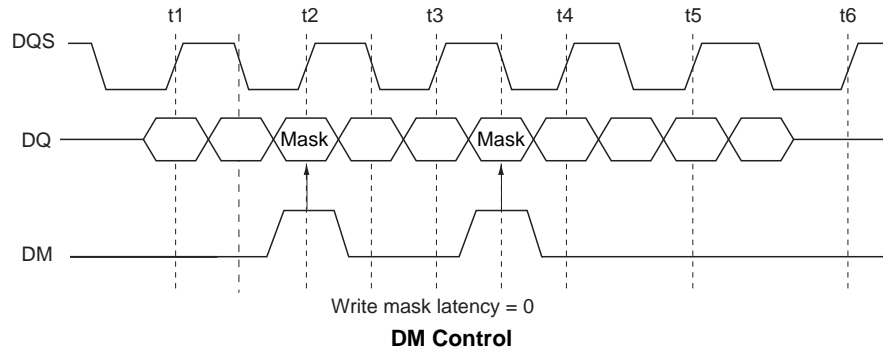
The interval between setting the mode register and executing a bank-active command must be no less than tMRD.



Mode Register Set to Bank Active

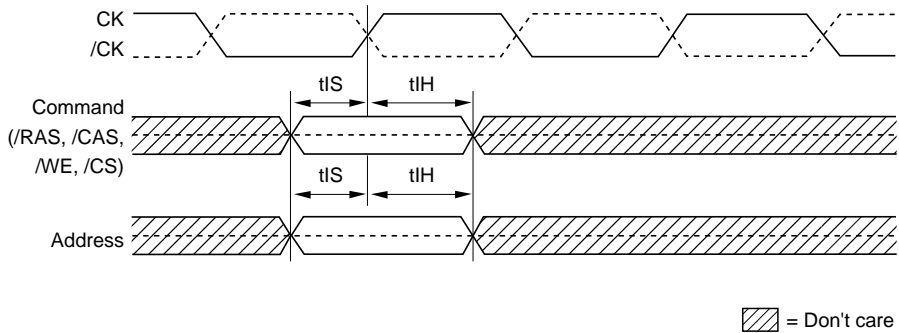
DM Control

DM can mask input data. By setting DM to low, data can be written. UDM and LDM can mask the upper and lower byte of input data, respectively. When DM is set to high, the corresponding data is not written, and the previous data is held. The latency between DM input and enabling/disabling mask function is 0.

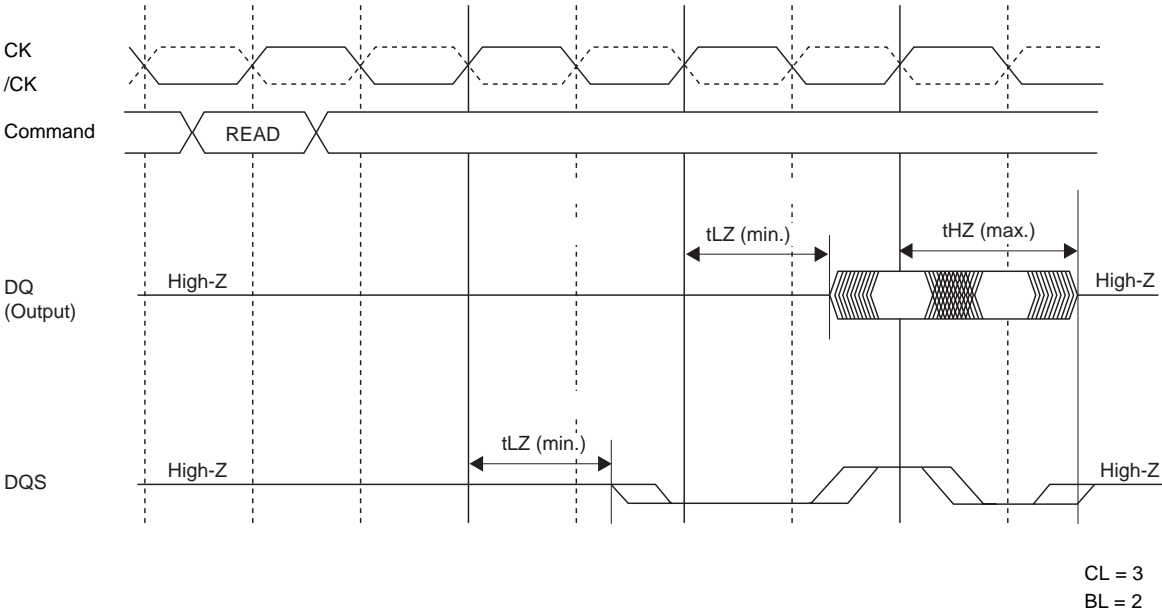


Timing Waveforms

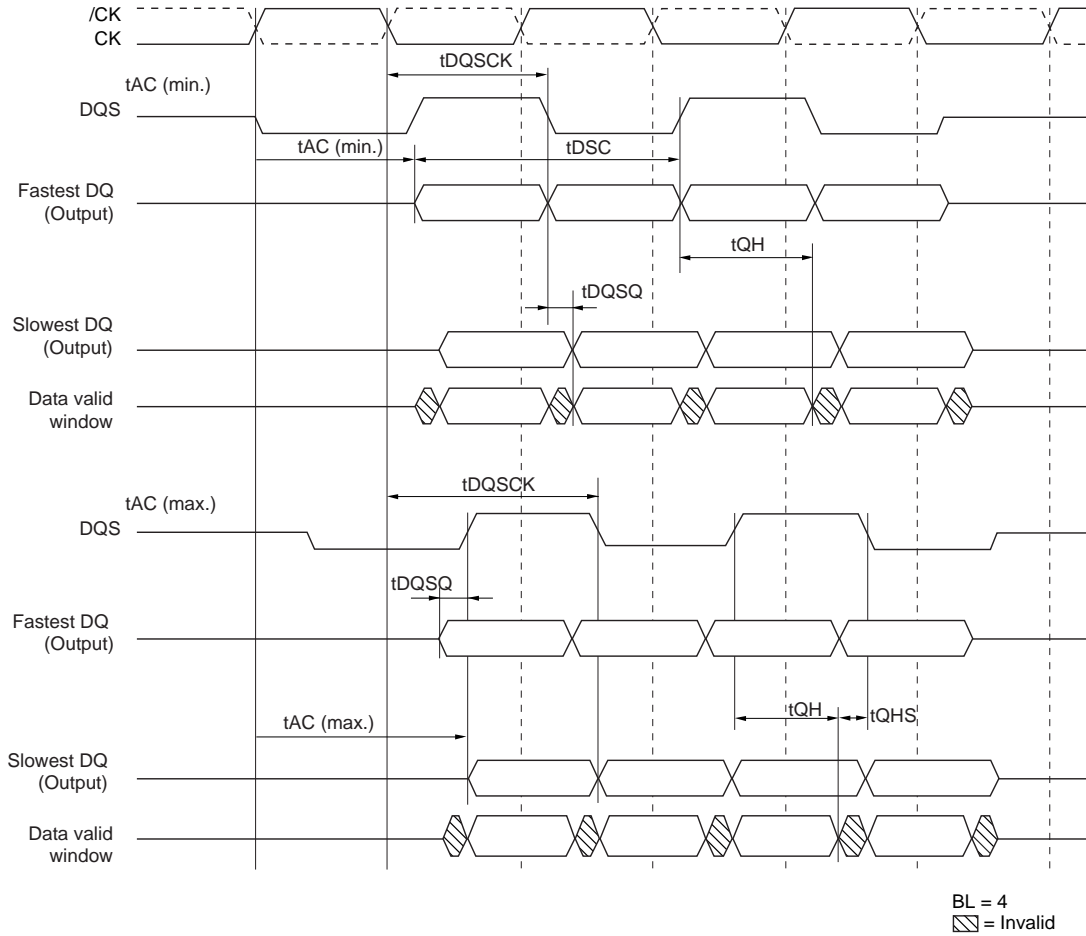
Command and Addresses Input Timing Definition



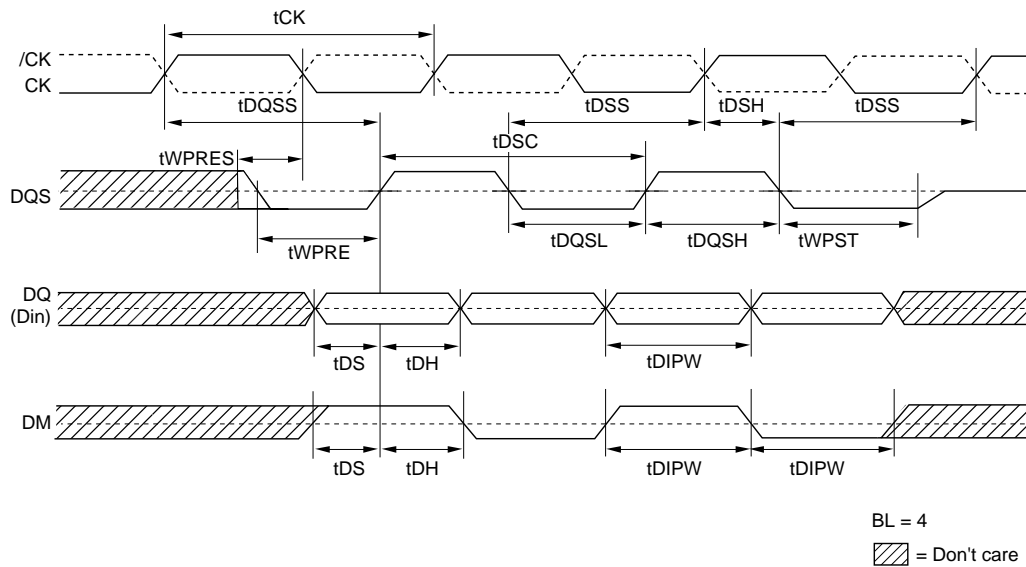
Read Timing Definition (1)



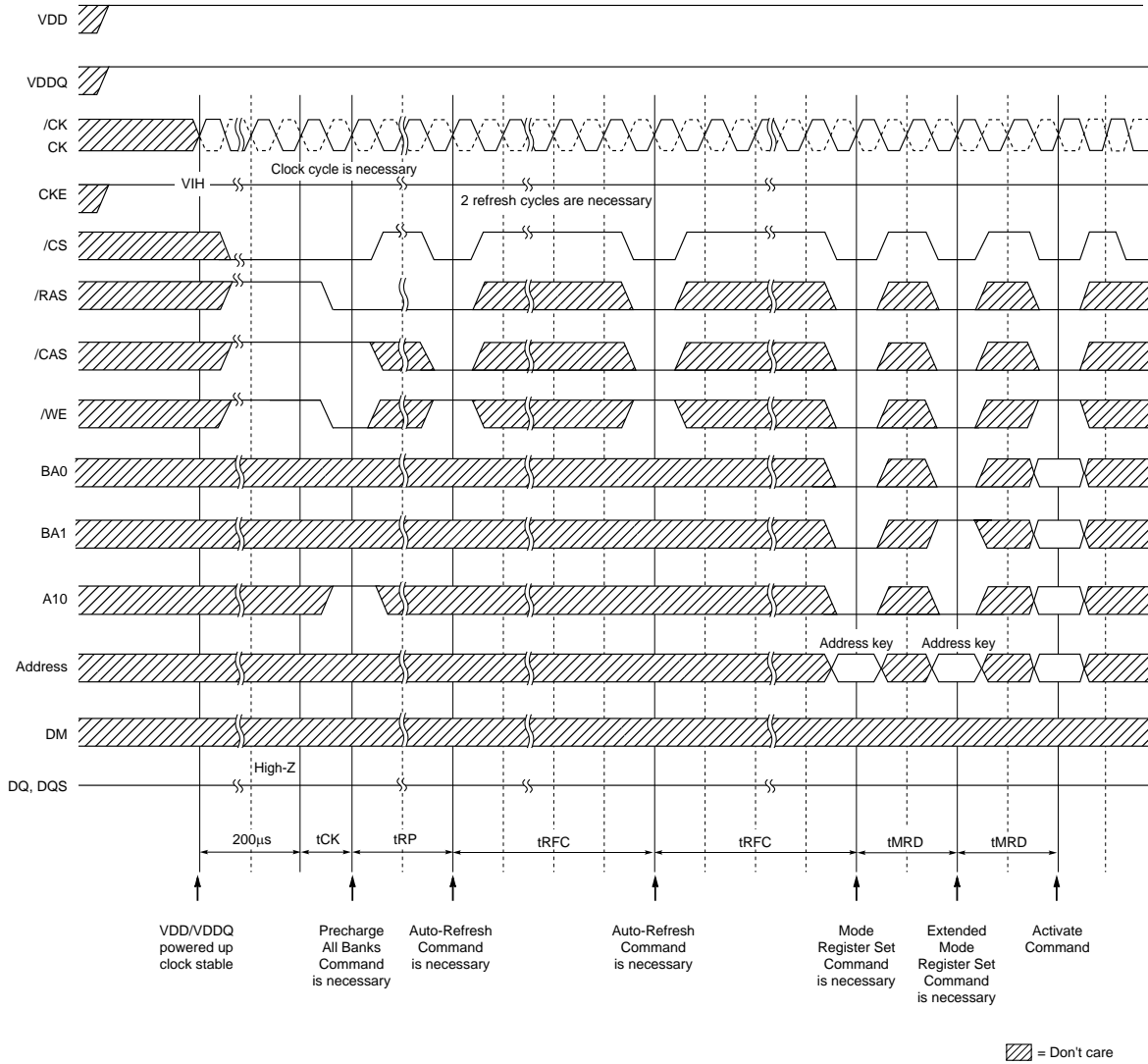
Read Timing Definition (2)



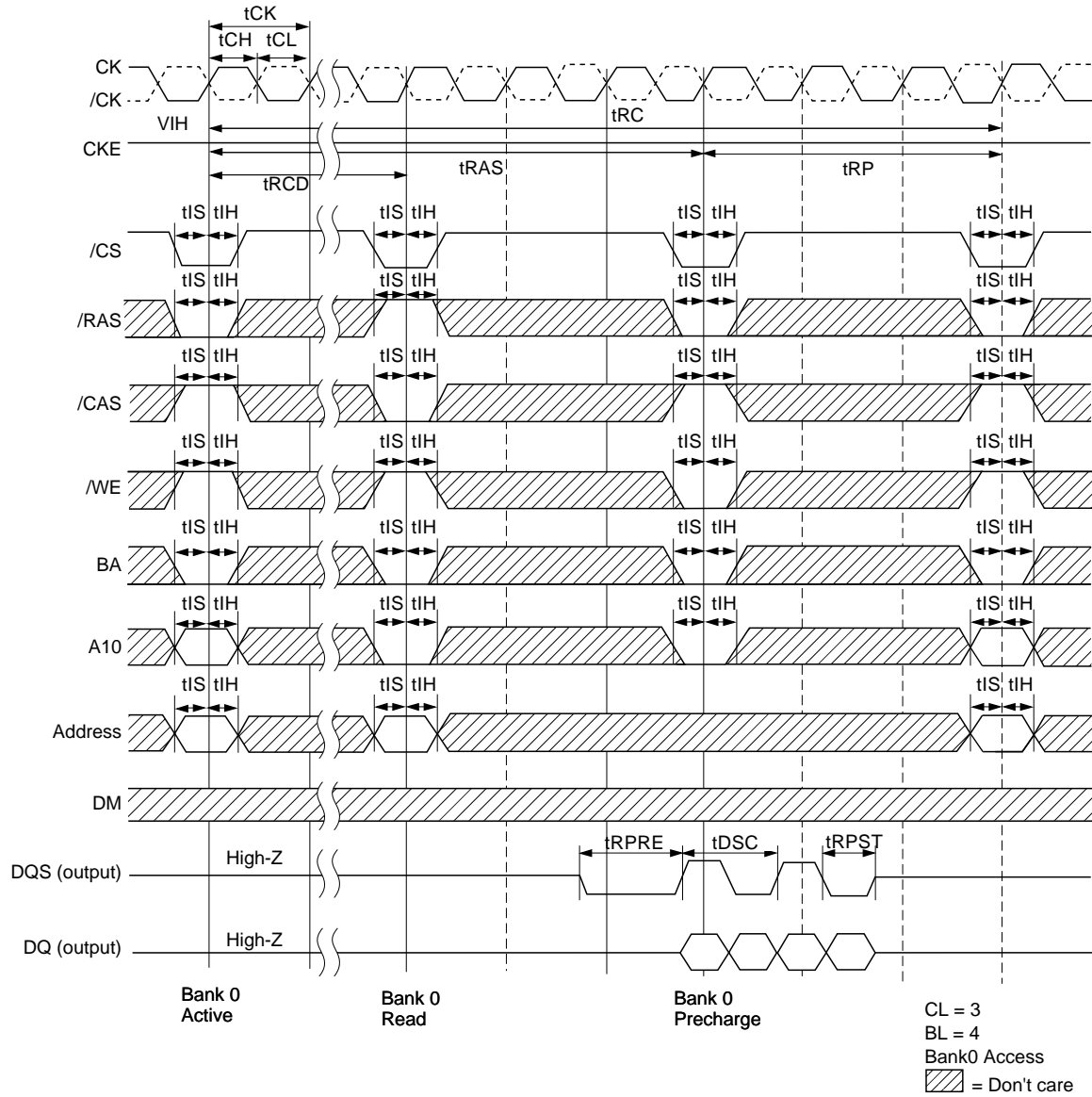
Write Timing Definition



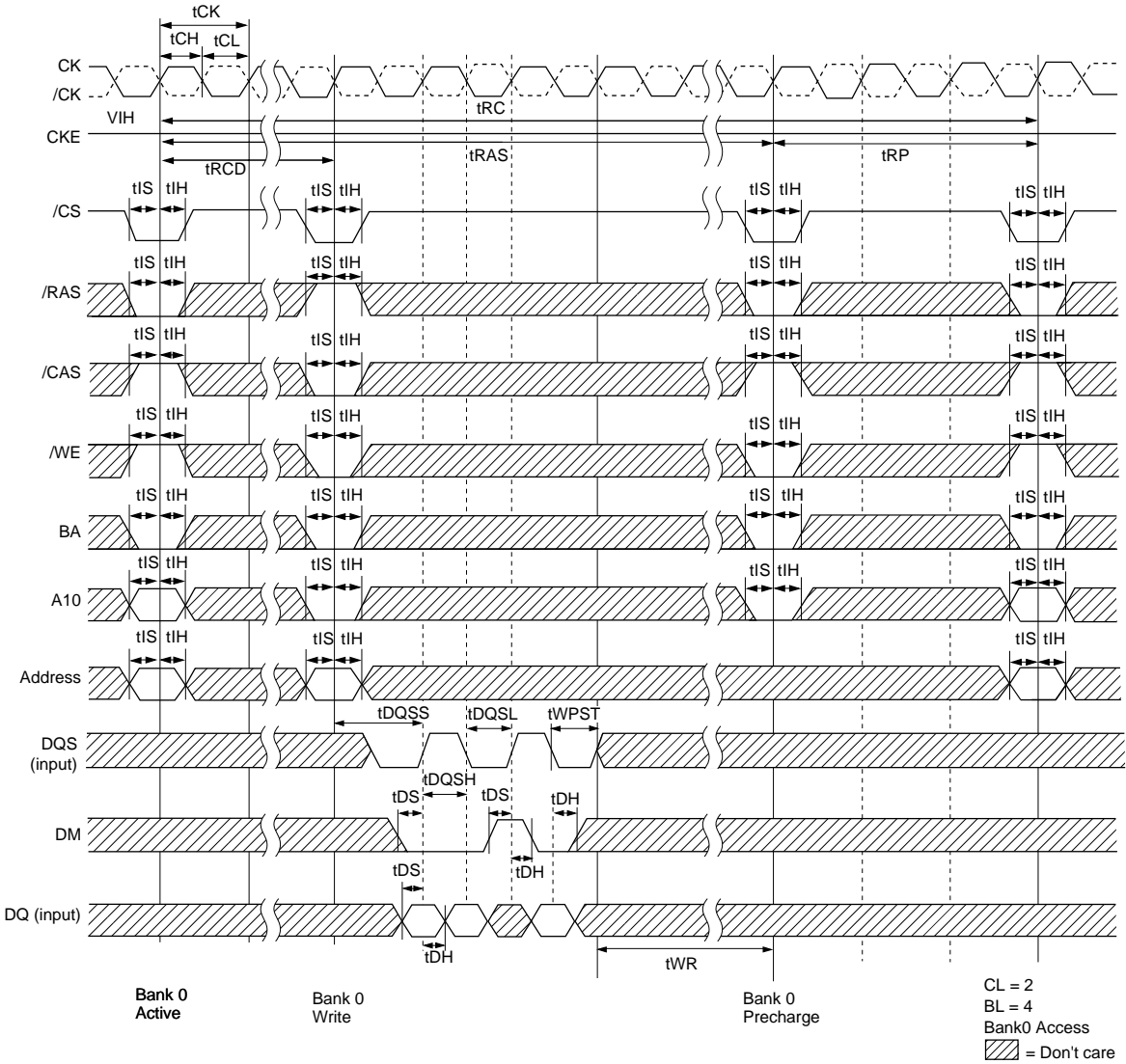
Initialize Sequence



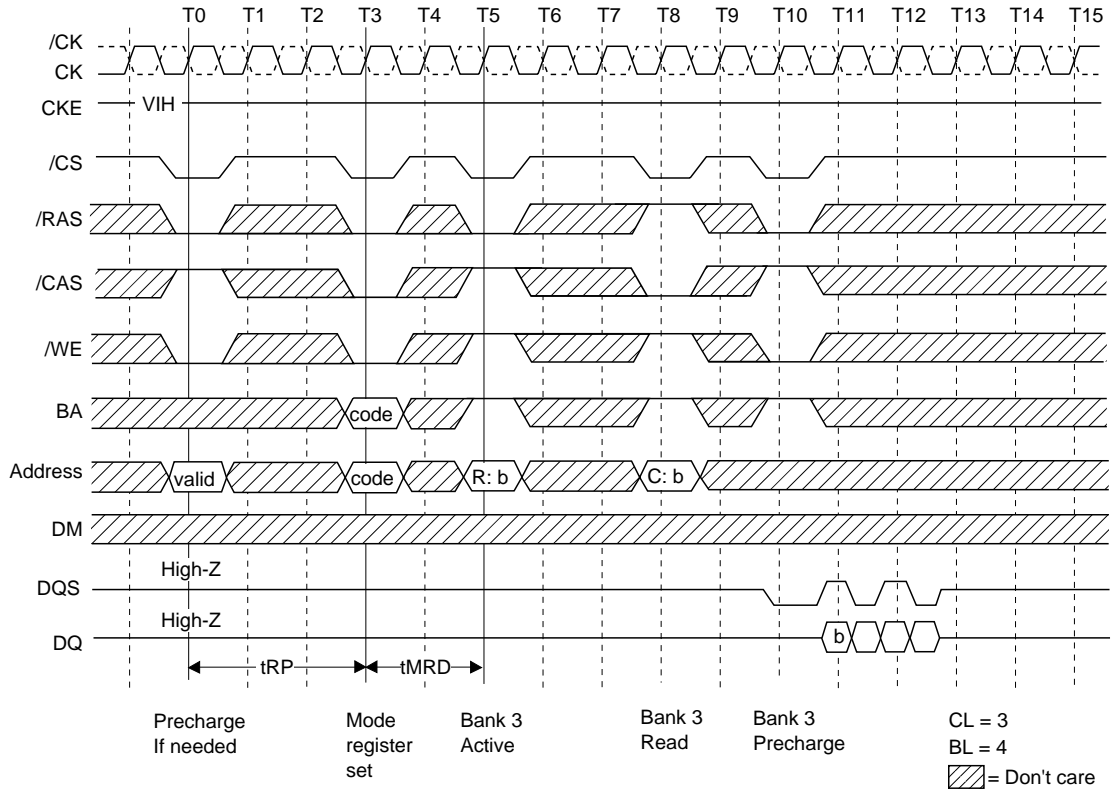
Read Cycle



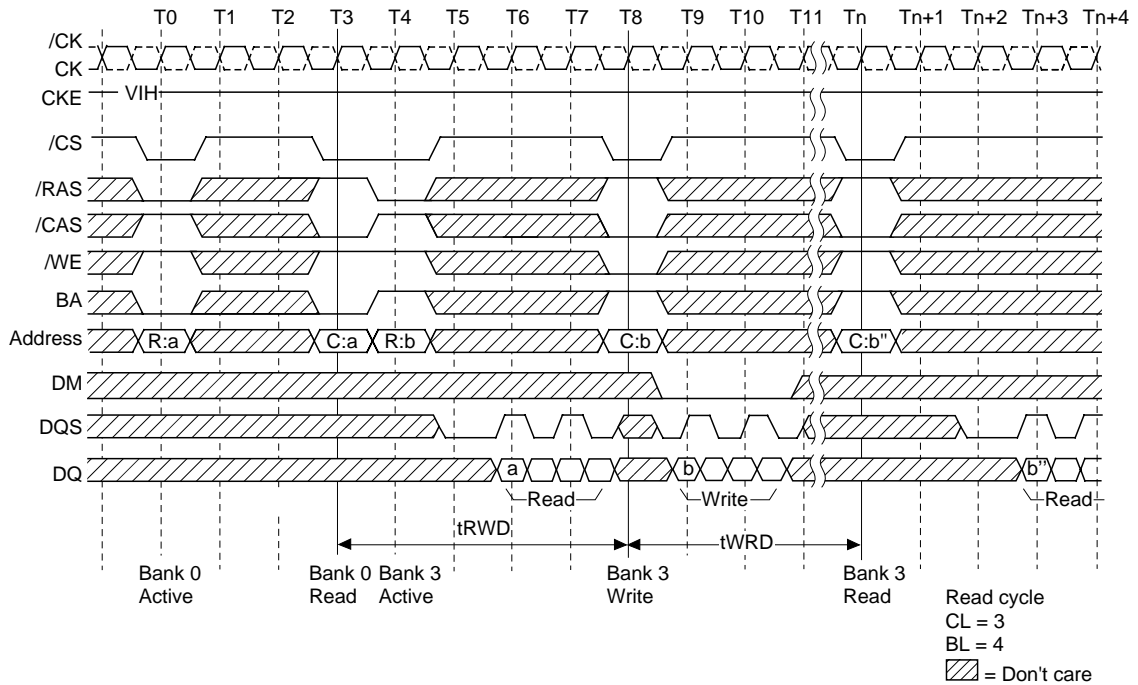
Write Cycle



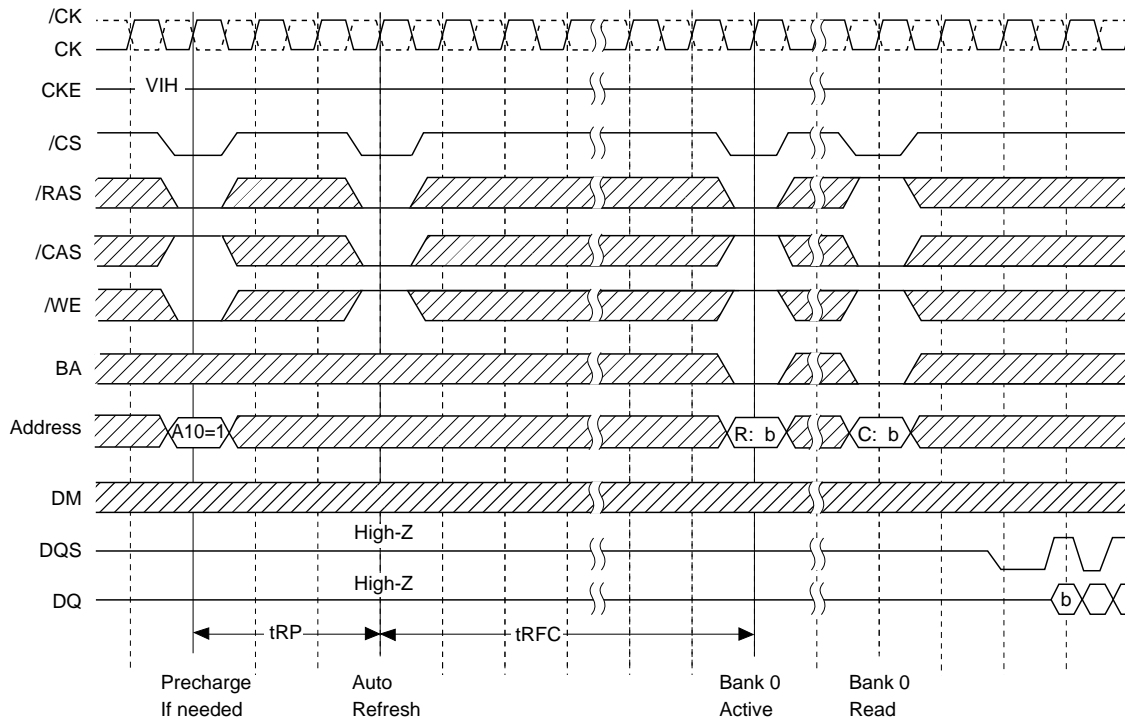
Mode Register Set Cycle



Read/Write Cycle

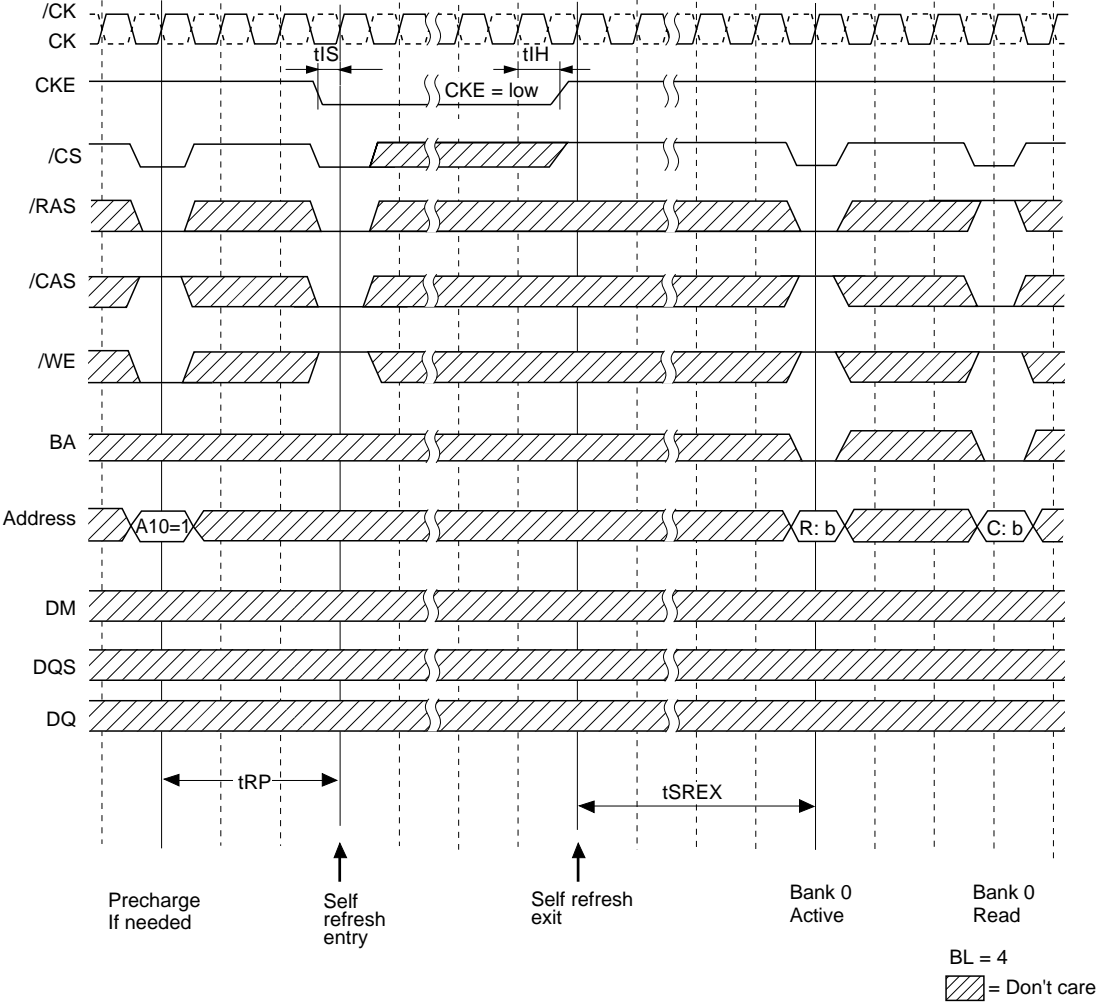


Auto-Refresh Cycle

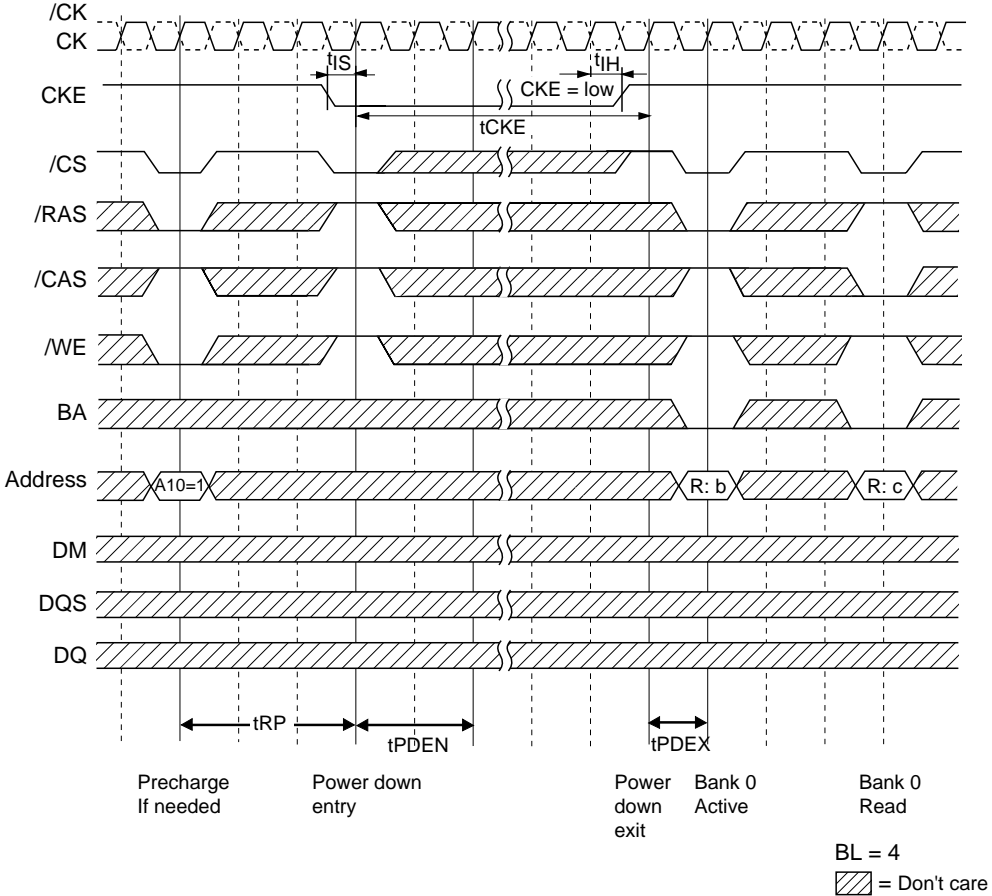


CL = 3
 BL = 4
 ▨ = Don't care

Self-Refresh Cycle



Power-Down Entry and Exit

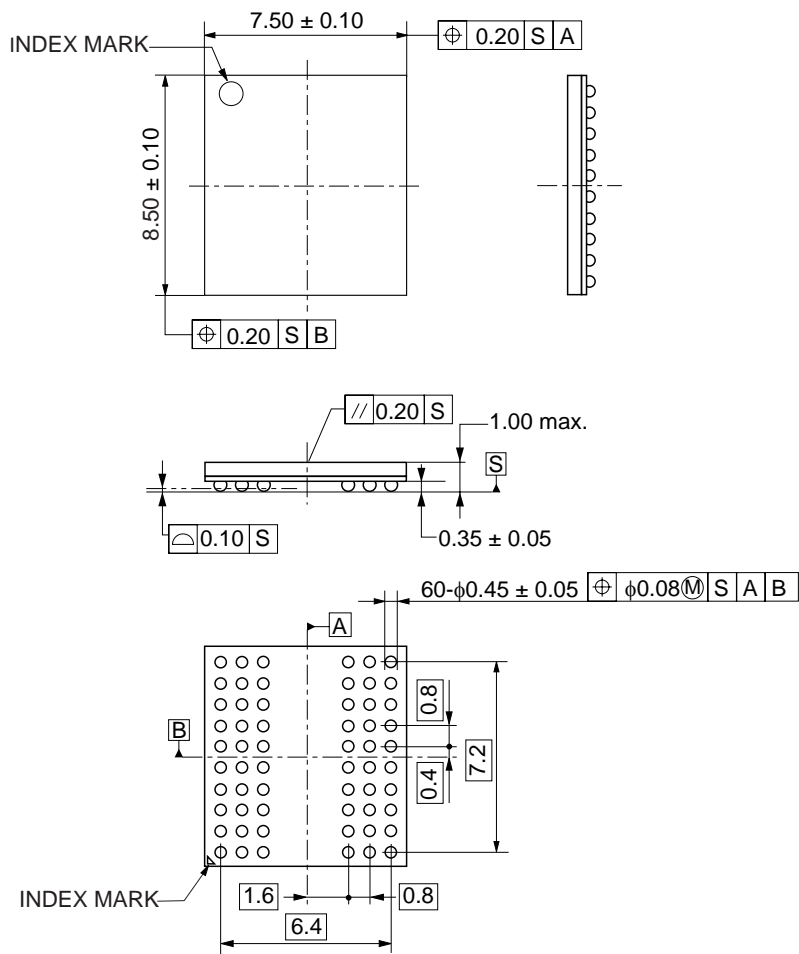


Package Drawing

60-ball FBGA

Solder ball: Lead free (Sn-Ag-Cu)

Unit: mm



ECA-TS2-0300-01

Recommended Soldering Conditions

Please consult with our sales offices for soldering conditions of the EDD51161DBH.

Type of Surface Mount Device

EDD51161DBH: 60-ball FBGA < Lead free (Sn-Ag-Cu) >

NOTES FOR CMOS DEVICES**① PRECAUTION AGAINST ESD FOR MOS DEVICES**

Exposing the MOS devices to a strong electric field can cause destruction of the gate oxide and ultimately degrade the MOS devices operation. Steps must be taken to stop generation of static electricity as much as possible, and quickly dissipate it, when once it has occurred. Environmental control must be adequate. When it is dry, humidifier should be used. It is recommended to avoid using insulators that easily build static electricity. MOS devices must be stored and transported in an anti-static container, static shielding bag or conductive material. All test and measurement tools including work bench and floor should be grounded. The operator should be grounded using wrist strap. MOS devices must not be touched with bare hands. Similar precautions need to be taken for PW boards with semiconductor MOS devices on it.

② HANDLING OF UNUSED INPUT PINS FOR CMOS DEVICES

No connection for CMOS devices input pins can be a cause of malfunction. If no connection is provided to the input pins, it is possible that an internal input level may be generated due to noise, etc., hence causing malfunction. CMOS devices behave differently than Bipolar or NMOS devices. Input levels of CMOS devices must be fixed high or low by using a pull-up or pull-down circuitry. Each unused pin should be connected to V_{DD} or GND with a resistor, if it is considered to have a possibility of being an output pin. The unused pins must be handled in accordance with the related specifications.

③ STATUS BEFORE INITIALIZATION OF MOS DEVICES

Power-on does not necessarily define initial status of MOS devices. Production process of MOS does not define the initial operation status of the device. Immediately after the power source is turned ON, the MOS devices with reset function have not yet been initialized. Hence, power-on does not guarantee output pin levels, I/O settings or contents of registers. MOS devices are not initialized until the reset signal is received. Reset operation must be executed immediately after power-on for MOS devices having reset function.

CME0107

Mobile RAM is a trademark of Elpida Memory, Inc.

The information in this document is subject to change without notice. Before using this document, confirm that this is the latest version.

No part of this document may be copied or reproduced in any form or by any means without the prior written consent of Elpida Memory, Inc.

Elpida Memory, Inc. does not assume any liability for infringement of any intellectual property rights (including but not limited to patents, copyrights, and circuit layout licenses) of Elpida Memory, Inc. or third parties by or arising from the use of the products or information listed in this document. No license, express, implied or otherwise, is granted under any patents, copyrights or other intellectual property rights of Elpida Memory, Inc. or others.

Descriptions of circuits, software and other related information in this document are provided for illustrative purposes in semiconductor product operation and application examples. The incorporation of these circuits, software and information in the design of the customer's equipment shall be done under the full responsibility of the customer. Elpida Memory, Inc. assumes no responsibility for any losses incurred by customers or third parties arising from the use of these circuits, software and information.

[Product applications]

Be aware that this product is for use in typical electronic equipment for general-purpose applications. Elpida Memory, Inc. makes every attempt to ensure that its products are of high quality and reliability. However, users are instructed to contact Elpida Memory's sales office before using the product in aerospace, aeronautics, nuclear power, combustion control, transportation, traffic, safety equipment, medical equipment for life support, or other such application in which especially high quality and reliability is demanded or where its failure or malfunction may directly threaten human life or cause risk of bodily injury.

[Product usage]

Design your application so that the product is used within the ranges and conditions guaranteed by Elpida Memory, Inc., including the maximum ratings, operating supply voltage range, heat radiation characteristics, installation conditions and other related characteristics. Elpida Memory, Inc. bears no responsibility for failure or damage when the product is used beyond the guaranteed ranges and conditions. Even within the guaranteed ranges and conditions, consider normally foreseeable failure rates or failure modes in semiconductor devices and employ systemic measures such as fail-safes, so that the equipment incorporating Elpida Memory, Inc. products does not cause bodily injury, fire or other consequential damage due to the operation of the Elpida Memory, Inc. product.

[Usage environment]

Usage in environments with special characteristics as listed below was not considered in the design. Accordingly, our company assumes no responsibility for loss of a customer or a third party when used in environments with the special characteristics listed below.

Example:

- 1) Usage in liquids, including water, oils, chemicals and organic solvents.
- 2) Usage in exposure to direct sunlight or the outdoors, or in dusty places.
- 3) Usage involving exposure to significant amounts of corrosive gas, including sea air, CL₂, H₂S, NH₃, SO₂, and NO_x.
- 4) Usage in environments with static electricity, or strong electromagnetic waves or radiation.
- 5) Usage in places where dew forms.
- 6) Usage in environments with mechanical vibration, impact, or stress.
- 7) Usage near heating elements, igniters, or flammable items.

If you export the products or technology described in this document that are controlled by the Foreign Exchange and Foreign Trade Law of Japan, you must follow the necessary procedures in accordance with the relevant laws and regulations of Japan. Also, if you export products/technology controlled by U.S. export control regulations, or another country's export control laws or regulations, you must follow the necessary procedures in accordance with such laws or regulations.

If these products/technology are sold, leased, or transferred to a third party, or a third party is granted license to use these products, that third party must be made aware that they are responsible for compliance with the relevant laws and regulations.

M01E0706