

F75383M/F75383S/F75384M/F75384S

±1°C Accuracy Temperature Sensor IC Datasheet

Release Date: July, 2007

Revision: V0.32P

F75383/F75384 Datasheet Revision History

Version	Date	Page	Revision History
0.21P	Mar.,2004		Original version (Confidential)
0.22P	Mar.,2004		Revised version ID/vendor ID, AC/DC spec.
0.23P	Mar.,2004		Add 8-SOP(F75383) package supporting
0.24P	Mar.,2004	1-2	Add additional description of 8-SOP(F75383S)/8-MSOP(F75383M)
0.25P	Apr.,2004	8,13	Add PCB Layout guide and update DC specification
0.26P	Jul.,2004		Add F75384 description
0.27P	Sep.,2004	6 12	Revise(1)High Byte of 1°C value (0000 0001) (2) Read address (high byte) of VT2 low limit (08h _(00h))
0.28P	Jan.,2005	15	Revise serial bus timing
0.29P	Aug.,2005	4	Modify alert response address
0.30P	Dec.,2005		Revise typo and updated patent no.
0.31P	Dec.,2006	1	Add Patent Note
		-	Revise typo (VDD → VCC)
0.32P	July,2007	-	Company readdress

Please note that all data and specifications are subject to change without notice. All the trade marks of products and companies mentioned in this data sheet belong to their respective owners.

LIFE SUPPORT APPLICATIONS

These products are not designed for use in life support appliances, devices, or systems where malfunction of these products can reasonably be expected to result in personal injury. Customers using or selling these products for use in such applications do so at their own risk and agree to fully indemnify Fintek for any damages resulting from such improper use or sales.

Table of Contents

1. General Description.....	1
2. Features.....	1
3. Key Specifications.....	2
4. Pin Configuration.....	2
5. Pin Descriptions.....	2
6. Functional Description.....	3
6.1 General Description.....	3
6.2 The warning message.....	3
6.3 Access Interface.....	3
6.4 Typical Operating Characteristics.....	5
6.5 Temperature Monitoring.....	6
6.5 Alert#.....	6
6.6 THERM#.....	7
6.7 ADC Conversion Sequence.....	7
6.8 Thermal Mass and Self Heating.....	7
6.9 ADC Noise Filtering.....	7
6.10 PCB Layout Guide.....	8
7. Registers Description.....	9
7.1 Configuration Register — Index 03h(Read), 09h(Write).....	9
7.2 Status Register — Index 02h.....	9
7.3 Conversion Rate Register — Index 04h(Read), 0Ah(Write).....	10
7.4 One-Shot Register — Index 0Fh.....	10
7.5 Alert Queue & Timeout Register — Index 22h.....	10
7.6 Status-with-ARA Control Register — Index 24h.....	11
7.7 Chip ID I Register — Index 5Ah.....	11
7.8 Chip ID II Register — Index 5Bh.....	11
7.9 Vendor ID I (Manufacturer ID) Register — Index 5Dh.....	11
7.10 Vendor ID I (Manufacturer ID) Register — Index 5Eh.....	11
7.11 Vendor ID II (Manufacturer ID) Register — Index FEh.....	11
7.12 Value RAM — Index 10h- 2Fh.....	11
8. Electrical characteristic.....	12
8.1 Absolute Maximum Ratings.....	12
8.2 DC Characteristics.....	12
8.3 AC Characteristics.....	14
9. Package Dimensions.....	15

10 Application Circuit 17

Fintek Confidential
Do Not Copy

1. General Description

The F75383/F75384 is a temperature sensor IC with alert signal which is specific designed for notebook, graphic cards etc. An 11-bit analog-to-digital converter (ADC) was built inside F75383/F75384. The F75383/F75384 can monitor two set of temperature which is very important for the system to work stably and properly. This chip provides 1 remote temperature sensor and 1 local temperature sensor. The remote temperature sensor can be performed by CPU thermal diode or transistor 2N3906. The users can set up the upper and lower limits (alarm thresholds) of all monitored parameters and this chip can also issue warning messages for system protection when there is something wrong with monitored items.

Through the BIOS or application software, the users can read all the monitored parameters of system all the time. And a pop-up warning can be also activated when the monitored item was out of the proper/pre-setting range. The application software could be Fintek's application utility, or other management application software. The F75383/F75384 is in the package of 8-pin MSOP/SOP and powered by 3.3V.

2. Features

- ◆ Provide 1 on-chip local and 1 remote temperature sensing
- ◆ $\pm 1^{\circ}\text{C}$ accuracy on remote channel and $\pm 3^{\circ}\text{C}$ accuracy on local channel
 - $\pm 1^{\circ}\text{C}$ ($+60^{\circ}\text{C}$ to $+100^{\circ}\text{C}$, remote)
 - $\pm 3^{\circ}\text{C}$ ($+60^{\circ}\text{C}$ to $+100^{\circ}\text{C}$, local)
- ◆ ALERT# output for SMBus alert
- ◆ THERM# output for over temperature alert or for system shut down
- ◆ Programmable THERM# limits and THERM# hysteresis
- ◆ Programmable alert queue
- ◆ Programmable limited and setting points(alert threshold) for all monitored items
- ◆ 2 wire SMBus interface
- ◆ 3VCC operation and in 8-SOP/8-MSOP green class package
- ◆ 8-MSOP Package – F75383M/F75384M ; 8-SOP Package – F75383S/F75384S
- ◆ The difference between F75383 and F75384 is SMBus address ID and they have the following SMBus slave address:

	A6	A5	A4	A3	A2	A1	A0
F75383	1	0	0	1	1	0	0
F75384	1	0	0	1	1	0	1

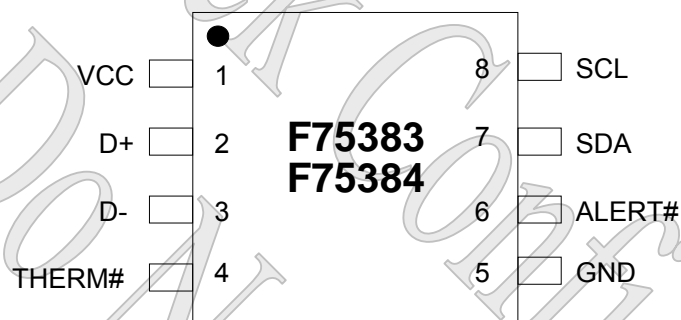
Noted: Patented TW 235231 TWI263778

F75383/F75384

3. Key Specifications

- ◆ Supply Voltage 3.0~3.6V
- ◆ Supply Current 180 uA (typ)

4. Pin Configuration



5. Pin Descriptions

- I/O_{12t} - TTL level bi-directional pin with 12 mA source-sink capability
- I/O_{12ts} - TTL level and schmitt trigger
- O₁₂ - Output pin with 12 mA source-sink capability
- O_{24V4} - Output pin with 24 mA source-sink capability, output 4V
- AOUT - Output pin(Analog)
- OD₁₂ - Open-drain output pin with 12 mA sink capability
- IN_t - TTL level input pin
- IN_{ts} - TTL level input pin and schmitt trigger
- AIN - Input pin(Analog)

F75383/F75384

PIN NO	PIN NAME	TYPE	PWR	DESCRIPTION
1	VCC	PWR	3VCC	Power Pin
2	D+	AIN	3VCC	Positive connection to remote temperature sensor (ex: thermal diode anode)
3	D-	AIN	3VCC	Negative connection to remote temperature sensor(ex: thermal diode cathode)
4	THERM#	OD ₁₂	3VCC	Active LOW output. This pin will be logic low when the temperature exceeds its limit.
5	GND	PWR	3VCC	Ground
6	ALERT#	OD ₁₂	3VCC	Active LOW output. Used as SMBus alert or Interrupt
7	SDA	IN _{ts} /OD ₁₂	3VCC	Serial bus data
8	SCL	IN _{ts}	3VCC	Serial bus clock

6. Functional Description

6.1 General Description

The F75383/F75384 is a simple temperature sensor with warning signal output. It includes a local and a remote temperature sensor. Both measured temperature are compared with its high, low and THERM limits which are stored in the registers. When one or more out-of-limit events occur, the flags in Status Register will be set and that may cause ALERT output to low. Also, measured temperature exceeding THERM limit may cause THERM output to low.

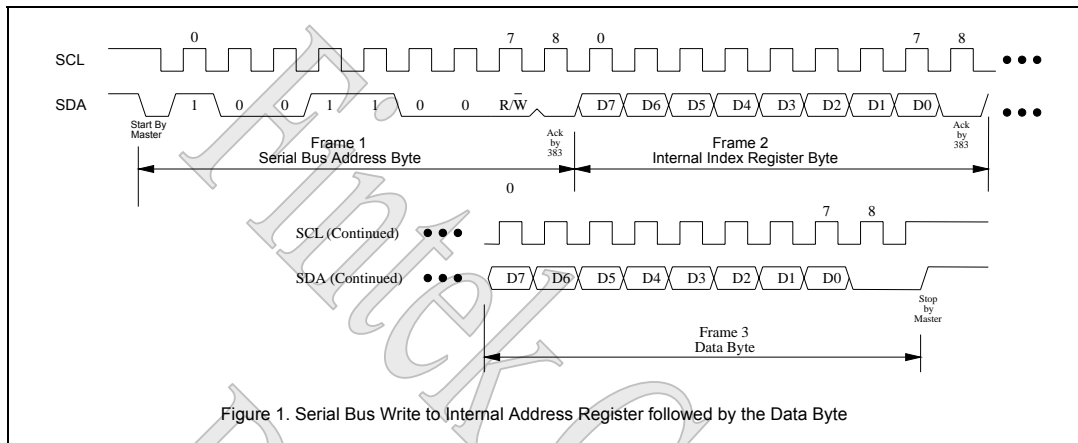
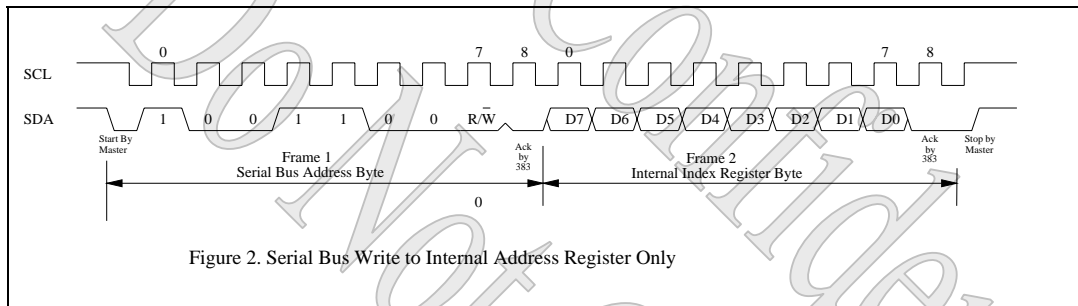
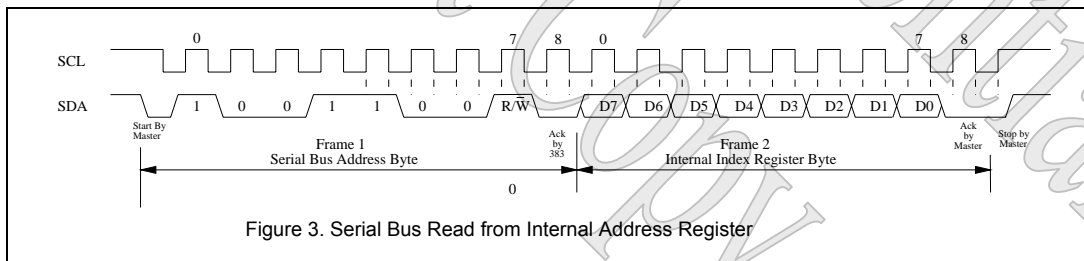
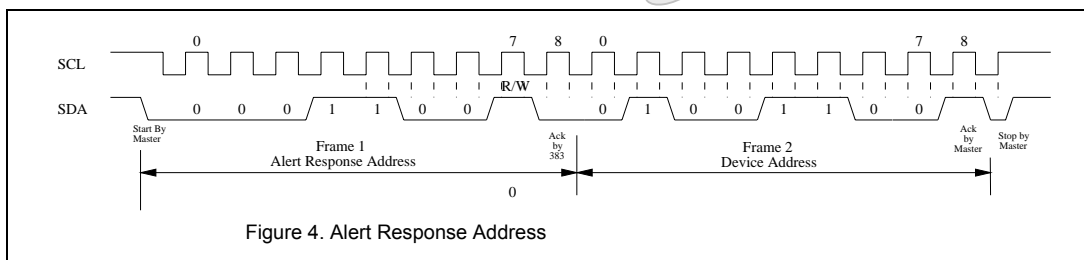
6.2 The warning message

Pin4 and pin6 act as warning message when the temperature exceeds its threshold point.

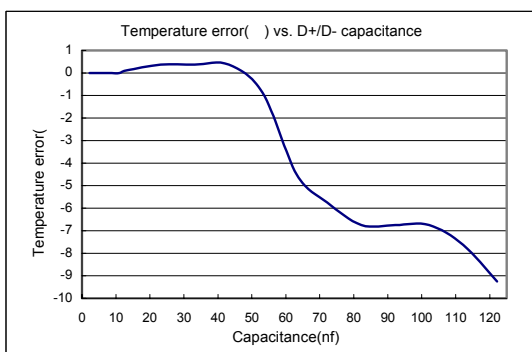
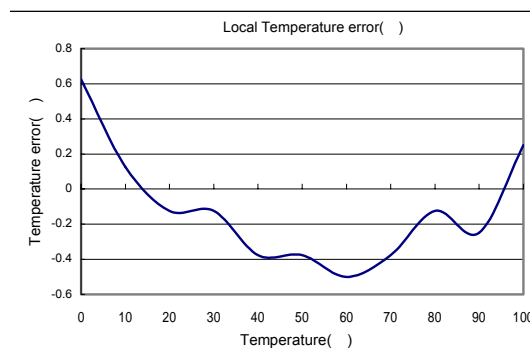
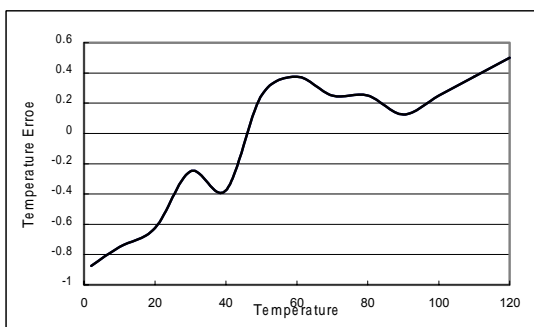
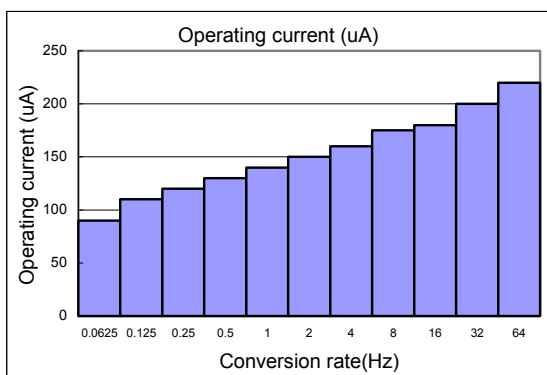
6.3 Access Interface

The F75383/F75384 can be connected to a compatible 2-wire serial system management bus as a slave device under the control of the master device, using two device terminals SCL and SDA. The F75383/F75384 supports SMBus protocol of, "Write Byte", "Read Byte", both with or without Packet Error checking(PEC) which is calculated using CRC-8. For detail information about PEC, please check SMBus 1.1 specification. F75383/F75384 supports 25ms timeout for no activity on the SMBus. This timeout function is programmed at 22h bit7 and default is disabled. F75383/F75384 also supports Alert Response Address(ARA) protocol.

The operation of the protocol is described with details in the following sections.

(a) SMBus write to internal address register followed by the data byte

(b) Serial bus write to internal address register only

(c) Serial bus read from a register with the internal address register prefer to desired location

(d) Alert Response Address


6.4 Typical Operating Characteristics

Temperature Error vs. D+/D- Capacitance

Local Temperature Error vs. Die Temperature

Remote Diode Error vs. Remote Temperature Error

Operating Supply Current vs. Conversion Rate


6.5 Temperature Monitoring

The F75383/F75384 monitors a local and a remote temperature sensor. Both can be measured from 0°C to 140.875°C.

The temperature format is as the following table:

Temperature (High Byte)	Digital Output	Temperature (Low Byte)	Digital Output
0°C	0000 0000	0°C	000 0 0000
1°C	0000 0001	0.125°C	001 0 0000
25°C	0001 1001	0.250°C	010 0 0000
50°C	0011 0010	0.375°C	011 0 0000
75°C	0100 1011	0.500°C	100 0 0000
90°C	0101 1010	0.625°C	101 0 0000
100°C	0110 0100	0.750°C	110 0 0000
140°C	1000 1100	0.875°C	111 0 0000

Remote-sensor transistor manufacturers

Manufacturer	Model Number
Panasonic	2SB0709 2N3906
Philips	PMBT3906

6.5 Alert#

Five events can trigger ALERT# to low:

- (1). VT1(Local) temperature exceeds High Limit
- (2). VT1(Local) temperature goes below Low Limit
- (3). VT2(Remote) temperature exceeds High Limit
- (4). VT2(Remote) temperature goes below Low Limit
- (5). VT2(Remote) temperature is Open-circuit.

These five events are wired-NOR together. This means that when one of out-of-limit event occurs, the ALERT# output goes low if the MASK control is disabled. ALERT# signal can be used as an IRQ-like interrupt or as an SMBALERT. When ALERT# acts as an IRQ-like interrupt, the ALERT# will be de-asserted until the following 2 conditions are matched:

- (1). The abnormal condition is gone

(2). Reading the Status register to clear the status

When ALERT# acts as a SMBALERT, the ALERT# will be de-asserted until the following 3 conditions are matched:

- (1). The abnormal condition is gone
- (2). Reading the Status register to clear the status
- (3). The ALERT# has been serviced by the SMBus master reading the device address.

For more information about SMBALERT, please see SMBus 1.1 specification.

6.6 THERM#

Either VT1(Local) or VT2(Remote) temperature exceeds the corresponding THERM limit, the THERM# output will assert low. The asserted output will be de-asserted until the temperature goes below (THERM Limit – Hysteresis). The hysteresis default value is 10°C and it can be programmed. Both VT1 and VT2 have their own THERM limits and Hysteresis values.

6.7 ADC Conversion Sequence

If a START command is written, both channels are converted and the results of both measurements are available after the end of conversion. A BUSY status bit in the status byte shows that the device is actually performing a new conversion; however, even if the ADC is busy, the results of the previous conversion are always available.

6.8 Thermal Mass and Self Heating

Thermal mass effect can seriously degrade the F75383's effective accuracy. The thermal time constant of the SOP package is about 140 in still air. For the F75383/S junction temperature to settle to within +1°C after a sudden +100°C change requires about five time constants or 12 minutes. The use of smaller packages for remote sensors such as SOT23, improves the situation. Take care to account for thermal gradients between the heat source and the sensor package do not interfere with measurement accuracy. Self-heating does not significantly affect measurement accuracy. Remote sensor self-heating due to the diode current source is negligible. For the local diode, the worst case error occurs when auto-converting at the fastest rate and simultaneously sinking maximum current at the ALERT# output. For instance, at a 64Hz rate and ALERT# sink around 0.7mA when pull up resistor 4.7K ohm to 3.3VCC, the typical power dissipation is $V_{CC} \times 220 \mu A$ plus $0.4V \times 0.7mA$. Package θ_{JA} is about 120 °C/W, so with $V_{CC} = 3.3V$ and no copper PC board heat-sinking, the resulting temperature rise is:

$$dT = 1.01mW \times 120 \text{ }^{\circ}\text{C/W} = 0.12 \text{ }^{\circ}\text{C}$$

Even with these contrived circumstances, it is difficult to introduce significant self-heating errors.

6.9 ADC Noise Filtering

The ADC is integrating type with inherently good noise rejection. Micro-power operation places constraints on high-frequency noise rejection; therefore, careful PCB board layout and suitable external filtering are required for high-accuracy remote measurement in

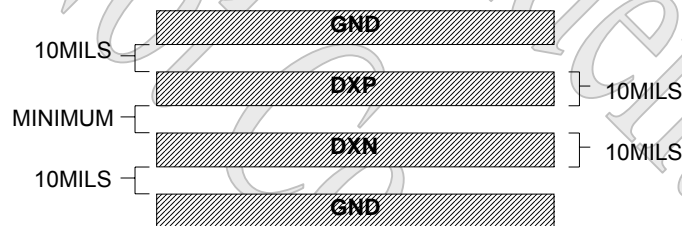
F75383/F75384

electronically noisy environment. High frequency EMI is best filtered at D+ and D- with an external 2200pF capacitor. Too high capacitance may introduce errors due to the rise time of the switched current source. Nearly all noise sources tested cause the ADC measurement to be higher than the actual temperature, depending on the frequency and amplitude.

6.10 PCB Layout Guide

PCB can be electrically noisy environments, and the F75383/F75384 is measuring very small voltage from the remote sensor, so care must be taken to minimize noise which is occurred at the sensor inputs. The following guideline should be taken to reduce the measurement error of the temperature sensors:

1. Place the F75383/F75384 as close as practical to the remote sensing diode. In noisy environments, such as a computer main-board, the distance can be 4 to 8 inches. (typ). This length can be increased if the worst noise sources are avoided. Noise sources generally include clock generators, CRTs, memory buses and PCI/ISA bus etc.
2. Route the D+ and D- tracks close together, in parallel, with grounded guard tracks on each side. Provide a ground plane under the tracks if possible. Do not route D+ & D- lines next to the deflection coil of the CRT. And also don't route the trace across fast digital signals which can easily induce bigger error.



3. Use wide tracks to minimize inductance and reduce noise pickup. 10 mil track minimum width and spacing is recommended.
4. Try to minimize the number of copper/solder joints, which can cause thermocouple effects. Where copper/solder joints are used, make sure that they are in both the D+ and D- path and at the same temperature. Thermocouple effects should not be a major problem as 1 corresponds to about 200 μ V. It means that a copper-solder thermocouple exhibits 3 μ V/ , and takes about 200 μ V of the voltage error at D+ & D- to cause a 1 measurement error. Adding a few thermocouples causes a negligible error.
5. Place a 0.1 μ F bypass capacitor close to the VCC pin. In very noisy environments, place an external 2200pF input filter capacitors across D+, D- close to the F75383/F75384.
6. If the distance to the remote sensor is more than 8 inches, the use of twisted pair cable is recommended. It will work up to

around 6 to 12 feet.

- Because the measurement technique uses switched current sources, excessive cable and/or filter capacitance will affect the measurement accuracy. When using long cables, the filter capacitor may be reduced or removed. Cable resistance can also induce errors. 1 Ω series resistance introduces about 0.5% error.

7. Registers Description

7.1 Configuration Register — Index 03h(Read), 09h(Write)

Power on default <7:0> = 00h

Bit	Name	Attribute	Description
7	ALERT_MASK	R/W	Set to 1, mask ALERT# signal output.
6	RUN_STOP	R/W	Set to 0, monitor. Set to 1, stop to monitor (software power down).
5-0	Reserved		

7.2 Status Register — Index 02h

Power on default <7:0> = 00h

Bit	Name	Attribute	Description
7	ADC_BUSY	RO	Set to 1, ADC is converting.
6	VT1HIGH	RO	Set to 1, VT1 temperature exceeds high limit. Set to 0, VT1 temperature does not exceed high limit.
5	VT1LOW	RO	Set to 1, VT1 temperature goes below low limit. Set to 0, VT1 temperature does not goes below low limit.
4	VT2HIGH	RO	Set to 1, VT2 temperature exceeds high limit. Set to 0, VT2 temperature does not exceed high limit.
3	VT2LOW	RO	Set to 1, VT2 temperature goes below low limit. Set to 0, VT2 temperature does not goes below low limit.
2	OPEN	RO	Set to 1, VT2 is open-circuit.
1	VT2THERM	RO	Set to 1, VT2 temperature exceeds its THERM limit.
0	VT1THERM	RO	Set to 1, VT1 temperature exceeds its THERM limit.

VT1(Local) ; VT2(Remote)

7.3 Conversion Rate Register — Index 04h(Read), 0Ah(Write)

Power on default <7:0> = 08h

Bit	Name	Attribute	Description			
7-0	CONV_RATE	R/W	Set conversion times per second.			
			Value	Conversion/Sec	Value	Conversion/Sec
			00h	0.0625	06h	4
			01h	0.125	07h	8
			02h	0.25	08h	16
			03h	0.5	09h	32
			04h	1	0Ah	64
			05h	2	0Bh ~ FFh	Reserved

7.4 One-Shot Register — Index 0Fh

Power on default <7:0> = xxh

Bit	Name	Attribute	Description
7-0	ONE-SHOT	WO	When F75383/F75384 is at standby mode, writing any value to this register will initiate a single conversion and comparison cycle. After the single cycle, F75383/F75384 will returns to standby mode.

7.5 Alert Queue & Timeout Register — Index 22h

Power on default <7:0> = 01h

Bit	Name	Attribute	Description
7	EN_I2CTMOUT	R/W	Set to 1, enable serial interface timeout function. (Timeout time = 25ms) Set to 0, disable.
6-4	Reserved		
3-1	ALERT_QUEUE	R/W	This number determines how many abnormal measurements must occur before ALERT signal is generated. 000 : Once 001 : Twice

			011 : 3 times 111 : 4 times
0	Reserved	RO	Always read 1.

7.6 Status-with-ARA Control Register — Index 24h

Power on default <7:0> = 01h

Bit	Name	Attribute	Description
7-6	Reserved		
0	EN_ARA_STS	R/W	Set to 1, ALERT de-asserted condition is related with ARA. Set to 0, ALERT de-asserted condition is not related with ARA(Alert Response Address).

7.7 Chip ID I Register — Index 5Ah

Power on default: 03h.

7.8 Chip ID II Register — Index 5Bh

Power on default: 03h.

7.9 Vendor ID I (Manufacturer ID) Register — Index 5Dh

Power on default: 19h.

7.10 Vendor ID I (Manufacturer ID) Register — Index 5Eh

Power on default: 34h.

7.11 Vendor ID II (Manufacturer ID) Register — Index FEh

Power on default: 23h. (programmable)

7.12 Value RAM — Index 10h- 2Fh

VT1 : Local Temperature

F75383/F75384

VT2 : Remote Temperature

The value in quota is its power-on default value.

Description	Attribute	Read Address (High Byte)	Read Address (Low Byte)	Write Address (High Byte)	Write Address (Low Byte)
VT1 reading	RO	00h	1Ah		
VT2 reading	RO	01h	10h		
VT1 High Limit	R/W	05h ^(55h)	1Bh ^(00h)	0Bh	1Bh
VT1 Low Limit	R/W	06h ^(00h)	1Ch ^(00h)	0Ch	1Ch
VT2 High Limit	R/W	07h ^(55h)	13h ^(00h)	0Dh	13h
VT2 Low Limit	R/W	08h ^(00h)	14h ^(00h)	0Eh	14h
VT1 THERM limit	R/W	20h ^(55h)		20h	
VT1 THERM Hysteresis	R/W	21h ^(0Ah)		21h	
VT2 THERM limit	R/W	19h ^(55h)		19h	
VT2 THERM Hysteresis	R/W	23h ^(0Ah)		23h	

8. Electrical characteristic

8.1 Absolute Maximum Ratings

PARAMETER	RATING	UNIT
Power Supply Voltage	-0.5 to 5.5	V
Input Voltage	-0.5 to VCC+0.5	V
Operating Temperature	0 to +140	°C
Storage Temperature	-55 to 150	°C

Note: Exposure to conditions beyond those listed under Absolute Maximum Ratings may adversely affect the life and reliability of the device

8.2 DC Characteristics

($T_A = 0^\circ\text{C}$ to 70°C , $V_{CC} = 3.3\text{V} \pm 10\%$, $V_{SS} = 0\text{V}$)

Parameter	Conditions	MIN	TYP	MAX	Unit
Temperature Error, Remote Diode	$60^\circ\text{C} < T_D < 100^\circ\text{C}$, $V_{CC} = 3.0\text{V}$ to 3.6V		± 1		$^\circ\text{C}$
	$0^\circ\text{C} < T_D < 140^\circ\text{C}$		± 1	± 3	

F75383/F75384

Temperature Error, Local Diode	0°C < T _A < 100°C, VCC = 3.0V to 3.6V		± 1	± 3	°C
Supply Voltage range		3.0	3.3	3.6	V
Average operating supply current	16 Conversions / Sec Rate		180		uA
	0.0625 Conversions / Sec Rate		90		uA
Standby supply current			5		uA
Resolution			0.125		°C
Under-voltage lockout threshold	VCC input, Disables ADC , Rising Edge		2.55		V
Power on reset threshold			2.2	2.4	V
Diode source current	High Level		95		uA
	Low Level		10		uA

 (T_A = 0° C to 70° C, VCC = 3.3V ± 10%, VSS = 0V)

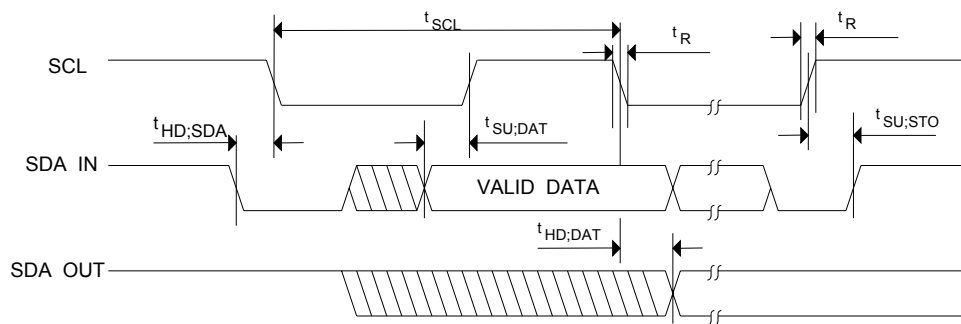
PARAMETER	SYM.	MIN.	TYP.	MAX.	UNIT	CONDITIONS
I/O_{12t} - TTL level bi-directional pin with source-sink capability of 12 mA						
Input Low Voltage	VIL			0.8	V	
Input High Voltage	VIH	2.0			V	
Output Low Current	IOL	10	12		mA	VOL = 0.4V
Output High Current	IOH		-12	-10	mA	VOH = 2.4V
Input High Leakage	ILIH			+1	μA	VIN = VCC
Input Low Leakage	ILIL			-1	μA	VIN = 0V
I/O_{12ts} - TTL level bi-directional pin with source-sink capability of 12 mA and schmitt-trigger level input						
Input Low Threshold Voltage	Vt-	0.5	0.8	1.1	V	VCC = 3.3 V
Input High Threshold Voltage	Vt+	1.6	2.0	2.4	V	VCC = 3.3 V
Output Low Current	IOL	10	12		mA	VOL = 0.4 V
Output High Current	IOH		-12	-10	mA	VOH = 2.4V
Input High Leakage	ILIH			+1	μA	VIN = VCC
Input Low Leakage	ILIL			-1	μA	VIN = 0V

8.2 DC Characteristics, continued

PARAMETER	SYM.	MIN.	TYP.	MAX.	UNIT	CONDITIONS
OUT_{12t} - TTL level output pin with source-sink capability of 12 mA						
Output Low Current	IOL	12	16		mA	VOL = 0.4V
Output High Current	IOH		-14	-12	mA	VOH = 2.4V
OD₈ - Open-drain output pin with sink capability of 8 mA						
Output Low Current	IOL	6	8		mA	VOL = 0.4V

OD ₁₆ - Open-drain output pin with sink capability of 16 mA						
Output Low Current	IOL	12	16		mA	VOL = 0.4V
I/OOD _{16ts} - TTL level bi-directional pin, can select to OD or OUT by register, with 16 mA source-sink capability						
Input Low Threshold Voltage	Vt-	0.5	0.8	1.1	V	VCC = 3.3 V
Input High Threshold Voltage	Vt+	1.6	2.0	2.4	V	VCC = 3.3 V
Output Low Current	IOL	6	8		mA	VOL = 0.4 V
Output High Current	IOH		-16	-12	mA	VOH = 2.4V
Input High Leakage	ILIH			+1	μA	VIN = VCC
Input Low Leakage	ILIL			-1	μA	VIN = 0V
IN _t - TTL level input pin						
Input Low Voltage	VIL			0.8	V	
Input High Voltage	VIH	2.0			V	
Input High Leakage	ILIH			+1	μA	VIN = VCC
Input Low Leakage	ILIL			-1	μA	VIN = 0 V
IN _{ts} - TTL level Schmitt-triggered input pin						
Input Low Threshold Voltage	Vt-	0.5	0.8	1.1	V	VCC = 3.3V
Input High Threshold Voltage	Vt+	1.6	2.0	2.4	V	VCC = 3.3V
Input High Leakage	ILIH			+1	μA	VIN = VCC
Input Low Leakage	ILIL			-1	μA	VIN = 0 V

8.3 AC Characteristics



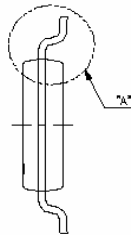
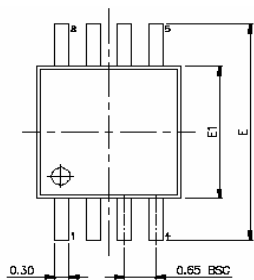
Serial Bus Timing Diagram

F75383/F75384

Serial Bus Timing

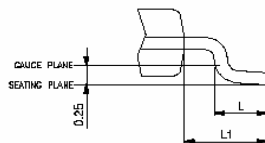
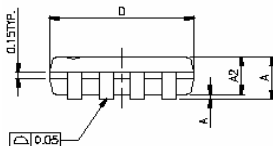
PARAMETER	SYMBOL	MIN.	MAX.	UNIT
SCL clock period	t_{SCL}	0.5	10000	μ S
Start condition hold time	$t_{HD;SDA}$	0.5		μ S
Stop condition setup-up time	$t_{SU;STO}$	0.5		μ S
DATA to SCL setup time	$t_{SU;DAT}$	50		nS
DATA to SCL hold time	$t_{HD;DAT}$	50		nS
SCL and SDA rise time	t_R		0.4	μ S
SCL and SDA fall time	t_F		0.4	μ S

9. Package Dimensions



SYMBOLS	MIN.	NOM.	MAX.
A	—	—	1.10
A1	0.00	—	0.15
A2	0.75	0.85	0.95
D	3.00 BSC		
E	4.90 BSC		
E1	3.00 BSC		
L	0.40	0.60	0.80
L1	0.95 REF		
θ	0	—	8

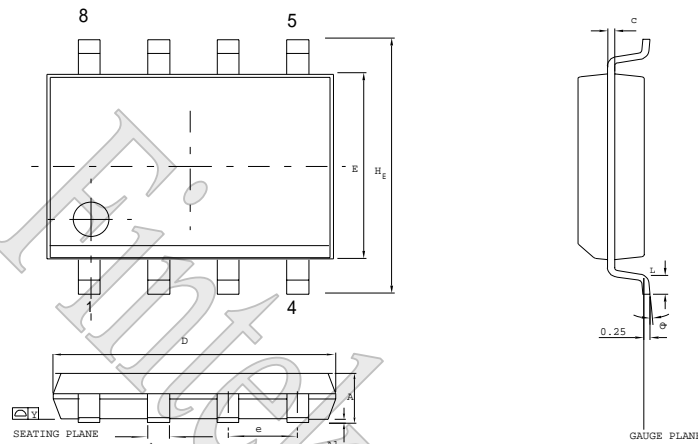
UNIT : MM



NOTES:

1. JEDEC OUTLINE : MO-187 AA
2. DIMENSION "D" DOES NOT INCLUDE MOLD FLASH, PROTRUSIONS OR GATE BURRS. MOLD FLASH, PROTRUSIONS OR GATE BURRS SHALL NOT EXCEED 0.15 PER SIDE.
3. DIMENSION "E1" DOES NOT INCLUDE INTERLEAD FLASH OR PROTRUSION. INTERLEAD FLASH OR PROTRUSION SHALL NOT EXCEED 0.25 PER SIDE.
4. DIMENSION "0.22" DOES NOT INCLUDE DAMBAR PROTRUSION. ALLOWABLE DAMBAR PROTRUSION SHALL BE 0.08 MM TOTAL IN EXCESS OF THE "0.22" DIMENSION AT MAXIMUM MATERIAL CONDITION. DAMBAR CANNOT BE LOCATED ON THE LOWER RADIUS OF THE FOOT. MINIMUM SPAC BETWEEN PROTRUSION AND ADJACENT LEAD IS 0.07 MM.
5. DIMENSIONS "D" AND "E1" TO BE DETERMINED AT DATUM PLANE (E).

(F75383/F75384 8-MSOP Package)

F75383/F75384


Control dimensions are in millimeters.

SYMBOL	DIMENSION IN MM		DIMENSION IN INCH	
	MIN.	MAX.	MIN.	MAX.
A	1.35	1.75	0.053	0.069
A1	0.10	0.25	0.004	0.010
b	0.33	0.51	0.013	0.020
c	0.19	0.25	0.008	0.010
E	3.80	4.00	0.150	0.157
D	4.80	5.00	0.188	0.196
e	1.27 BSC		0.050 BSC	
Hg	5.80	6.20	0.228	0.244
Y	0.10		0.004	
L	0.40	1.27	0.016	0.050
Ø	0	10	0	10

(F75383/F75384 8-SOP Package)
Headquarters

 3F-7, No 36, Tai Yuan St.,
 Chupei City, Hsinchu, Taiwan 302, R.O.C.

TEL : 886-3-5600168

FAX : 886-3-5600166

 www: <http://www.fintek.com.tw>
Taipei Office

 Bldg. K4, 7F, No.700, Chung Cheng Rd.,
 Chungho City, Taipei, Taiwan 235, R.O.C.

TEL : 866-2-8227-8027

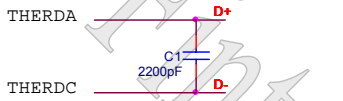
FAX : 866-2-8227-8037

Please note that all datasheet and specifications are subject to change without notice. All the trade marks of products and companies mentioned in this datasheet belong to their respective owner

10 Application Circuit

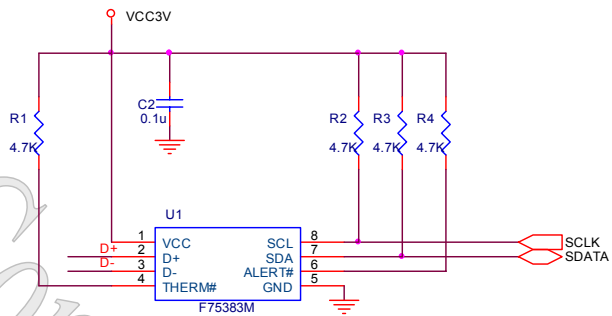
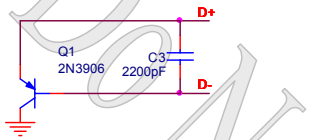
Example 1:

TEMPERATURE MONITOR (CPU THERMAL DIODE)



Example 2:

TEMPERATURE MONITOR (2N3906)



Title		
Feature Integration Technology Inc.		
Size	Document Number	Rev
A	F75383M Application Circuit	0.1
Date:	Tuesday, January 27, 2004	Sheet 1 of 1