

VI TELEFILTER**Filter specification****TFS 300 C****1/5****1. Measurement condition :**

Ambient temperature T_A : 25 °C
 Input power level: 0 dBm
 Terminating impedances at f_C *) :
 for input: 176 Ω | - 6,19 pF.
 for output: 775 Ω | - 3,52 pF.

2. Characteristics

Remark: Reference level for the relative attenuation a_{rel} of the **TFS 300C** is the minimum of the pass band attenuation a_{min} . The minimum of the pass band attenuation a_{min} is defined as the insertion loss a_e . The centre frequency f_C is the arithmetic mean value of the upper and lower frequencies at the 3 dB filter attenuation level relative to the insertion loss a_e . The nominal frequency f_N is fixed on **300 MHz** without tolerance. The given values for the relative attenuation a_{rel} and for the group delay ripple have to be reached at the frequencies given below also if the centre frequency f_C is shifted due to the temperature coefficient of frequency T_{Cf} in the operating temperature range and due to a production tolerance for the centre frequency f_C .

Data	typ. value	tolerance / limit
Insertion loss (Reference level) a_e	17 dB	max. 20 dB
Nominal frequency f_N	-	300 MHz
Centre frequency f_C at ambient temperature (f_{CTA})	300,02 MHz	
Pass band (PB) :		$f_N - 2,05$ MHz ... $f_N + 2,05$ MHz
Amplitude ripple in PB (p-p) :	0,8 dB	max. 1 dB
Bandwidth :		
1 dB	4,55 MHz	min. 4,1 MHz
3 dB	5,25 MHz	min. 5,0 MHz
3 dB	5,25 MHz	max. 5,5 MHz
20 dB	6,96 MHz	
40 dB	9,30 MHz	max. 10 MHz
Relative attenuation a_{rel}		
$f_N \pm 2,05$ MHz ... $f_N \pm 2,5$ MHz	-	max. 1 dB
$f_N \pm 2,75$ MHz ... $f_N \pm 5$ MHz	-	max. 3 dB
$f_N \pm 5$ MHz ... $f_N \pm 7$ MHz	43...45 dB	min. 3 dB
$f_N - 25$ MHz ... $f_N - 7$ MHz	49...54 dB	min. 40 dB
$f_N + 7$ MHz ... $f_N + 25$ MHz	49...54 dB	min. 45 dB
$f_N \pm 25$ MHz ... $f_N \pm 100$ MHz	55...70 dB	min. 43 dB
$f_N - 290$ MHz ... $f_N - 100$ MHz	90 dB	min. 50 dB
$f_N + 100$ MHz ... $f_N + 700$ MHz	90 dB	
Group delay (mean value in PB) :	1,1 μ s	max. 1,5 μ s
Group delay ripple (p-p) in : f_N ... $f_N \pm 2,2$ MHz	60 ns	max. 100 ns
Deviation from linear phase (p-p) f_N ... $f_N \pm 1,8$ (2,5) MHz	2° (2,6°)	
Triple transit attenuation compared to main signal	39 dB	
Crosstalk	60...65 dB	
Substrate material	Quartz	
Frequency inversion temperature (T_o)	30 °C	
Temperature coefficient of frequency (T_{Cf})	-0,030 ppm/K ²	
Frequency deviation of f_C over temperature: **)	$\Delta f_C(\text{Hz}) = T_{Cf}(\text{ppm/K}) \times (T - T_o)^2 \times f_{T_o}$ (MHz)	
Operating temperature range		- 20 °C ... + 70 °C
Storage temperature range		- 40 °C ... + 85 °C

*) The terminating impedances depend on parasitics and q-values of matching elements and the board used, and are to be understood as reference values only. Should there be additional questions do not hesitate to ask for an application note or contact our design team.

**) $f_o = f_{T_o}$ is reference frequency f_C at frequency inversion temperature (T_o)

Generated: Dunzow W.

Checked / approved: Dr. Bert Wall

VI TELEFILTER

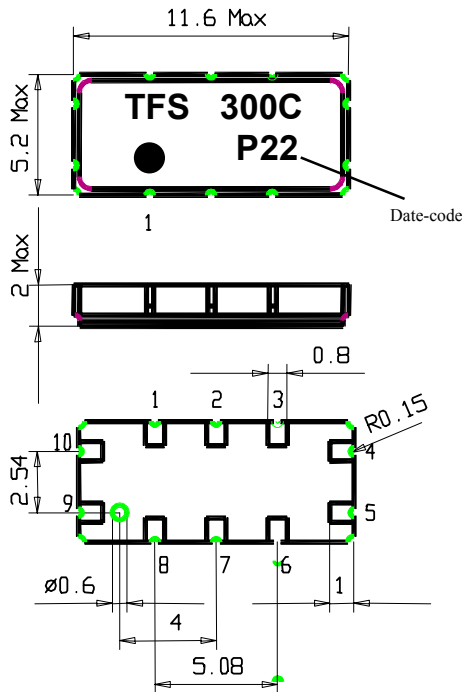
Potsdamer Straße 18

D 14 513 TELTOW / Germany

Tel: (+49) 3328 4784-0 / Fax: (+49) 3328 4784-30

E-Mail: tft@telefilter.com

VI TELEFILTER reserves the right to make changes to the product(s) and/or information contained herein without notice. No liability is assumed as a result of their use or application. No rights under any patent accompany the sale of any such product(s) or information.

3. Package, pin grid 2,54 mm

Date-code: Year+week

M 2000

N 2001

P 2002

... ..

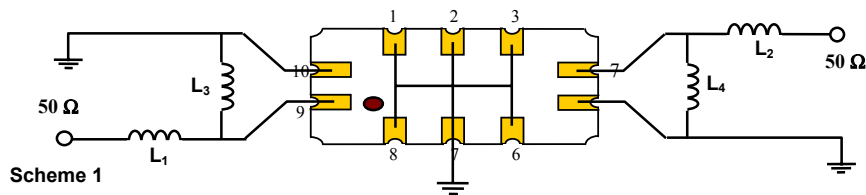
Pin 9- Input.

Pin 10 - Input RF Return.

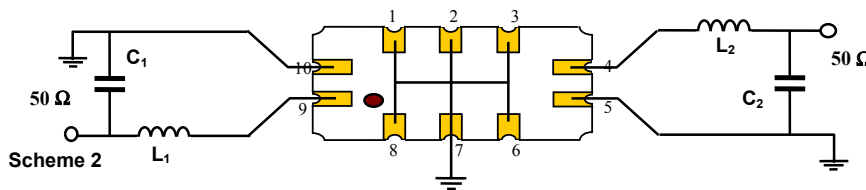
Pin 4 - Output.

Pin 5 - Output RF Return.

Pin 1-3, 6-8-PackageGround.

4. 50 Ω matching network (please refer to the application note for further details) :

Scheme 1



Scheme 2

For final test we use scheme 2.

VI TELEFILTER

Potsdamer Straße 18

D 14 513 TELTOW / Germany

Tel: (+49) 3328 4784-0 / Fax: (+49) 3328 4784-30

E-Mail: tft@telefilter.com

VI TELEFILTER reserves the right to make changes to the product(s) and/or information contained herein without notice. No liability is assumed as a result of their use or application. No rights under any patent accompany the sale of any such product(s) or information.

5. Stability characteristics :

After the following tests the filter shall meet the whole specification:

1. Shock: 500g, 18 ms, half sine wave, 3 shocks each plane;
DIN IEC 68 T2 - 27
2. Vibration: 10 Hz to 500 Hz, 0,35 mm or 5g respectively, 1 octave per min, 10 cycles per plan, 3 plans;
DIN IEC 68 T2 - 6
3. Change of temperature: -55 °C to 125°C / 30 min. each / 10 cycles
DIN IEC 68 part 2 – 14 Test N
4. Resistance to solder heat (reflow): reflow possible: twice max.;
for temperature conditions, please refer to the attached "Air reflow temperature conditions" on page 4;

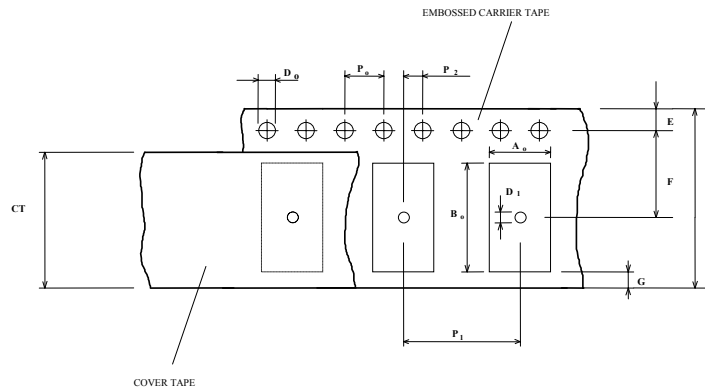
6. Packing

Tape & Reel: DIN IEC 286 - 3, with exception of value for N and minimum bending radius;
tape type II, embossed carrier tape with top cover tape on the upper side;

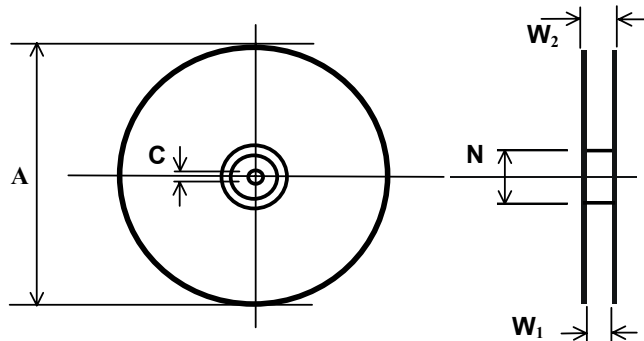
max. pieces of filters per reel: 1700
reel of empty components at start: min 300 mm
reel of empty components at start including leader: min 500 mm
Trailer: min 300 mm

Tape (all dimensions in mm)

W	:	24±0,3
Po	:	4 ±0,1
Do	:	1,5 +0,1
E	:	1,75 ±0,1
F	:	7,5 ±0,1
G (min)	:	0,6
P2	:	2 ±0,1
P1	:	8 ±0,1
Dl(min)	:	1,5
Ao	:	5,6 ±0,1
Bo	:	11,8 ±0,1
CT	:	21,5 ±0,1

**Reel (all dimensions in mm):**

A	:	330
W1	:	24,4 + 2/-0
W2(max)	:	30,4
N(min)	:	60
C	:	13,0 +0,5 / -0,2



The minimum bending radius is 45 mm. The mounting surface of the filters faces the bottom side of the embossed carrier tape. Markings on the filters can be read if the upper side of the carrier tape is regarded with the sprocket holes on its right.

VI TELEFILTER

Potsdamer Straße 18

D 14 513 TELTOW / Germany

Tel: (+49) 3328 4784-0 / Fax: (+49) 3328 4784-30

E-Mail: tft@telefilter.com

VI TELEFILTER reserves the right to make changes to the product(s) and/or information contained herein without notice. No liability is assumed as a result of their use or application. No rights under any patent accompany the sale of any such product(s) or information.

7. Air reflow temperature conditions :

1st and 2nd air reflow profile

Name:	pre-heating periods	main-heating periods	peak temperature
Temperature:	150 °C - 170 °C	over 200 °C	255 °C ± 5 °C
Time:	60 sec. - 90 sec.	20 sec. - 25 sec.	

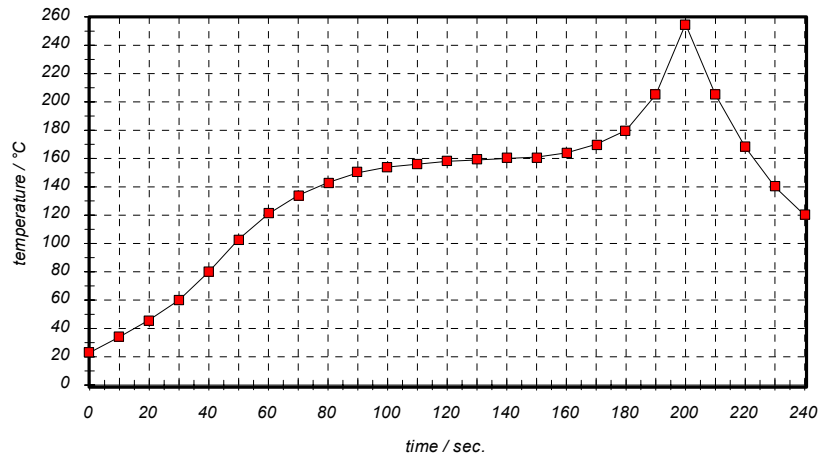
Chip-mount air reflow profile

Table for temperature vs. time during the air reflow process

Tolerance of temperatures: ± 5 °C

time / sec.	temperature / °C	time / sec.	temperature / °C
0	23	140	160
10	34	150	161
20	46	160	164
30	60	170	170
40	80	180	180
50	103	190	205
60	121	195	230
70	134	200	255
80	143	205	230
90	150	210	205
100	154	215	180
110	156	220	165
120	158	230	140
130	159	240	120

VI TELEFILTER

Potsdamer Straße 18

D 14 513 TELTOW / Germany

Tel: (+49) 3328 4784-0 / Fax: (+49) 3328 4784-30

E-Mail: tft@telefilter.com

VI TELEFILTER reserves the right to make changes to the product(s) and/or information contained herein without notice. No liability is assumed as a result of their use or application. No rights under any patent accompany the sale of any such product(s) or information.

VI TELEFILTER**Filter specification****TFS 300 C****5/5****History :**

Version	Reason of Changes	Name	Date
1.0	Generate preliminary specification according to customer requirements	Dunzow W.	18.06.2001
1.1	- change " Relative attenuation (a_{rel}) " from $f_N \pm 7 \text{ MHz} \dots f_N \pm 25 \text{ MHz}$ min. 47 dB to $f_N - 25 \text{ MHz} \dots f_N - 7 \text{ MHz}$ min. 45 dB $f_N + 7 \text{ MHz} \dots f_N + 25 \text{ MHz}$ min. 43 dB - change termination impedance from : from for input: 215Ω - 6,1 pF. for output: 1190Ω - 3,3 pF. to for input: 176Ω - 6,19 pF. for output: 775Ω - 3,52 pF.	Dunzow W.	08.04.2002

VI TELEFILTER**Potsdamer Straße 18****D 14 513 TELTOW / Germany****Tel: (+49) 3328 4784-0 / Fax: (+49) 3328 4784-30****E-Mail: tft@telefilter.com**

VI TELEFILTER reserves the right to make changes to the product(s) and/or information contained herein without notice. No liability is assumed as a result of their use or application. No rights under any patent accompany the sale of any such product(s) or information.