

Description

The GM1117S is a positive low dropout regulator and is available in an adjustable version and fixed output voltage from 1.5V to 5.0V. All internal circuitry is designed to operate down to 800mV input to output differential and the dropout voltage is fully specified as a function of load current. On chip trimming adjusts the reference/output voltage to within $\pm 1\%$. Current limit is also trimmed in order to minimize the stress on both the regulator and the power source circuitry under overloaded conditions.

Features

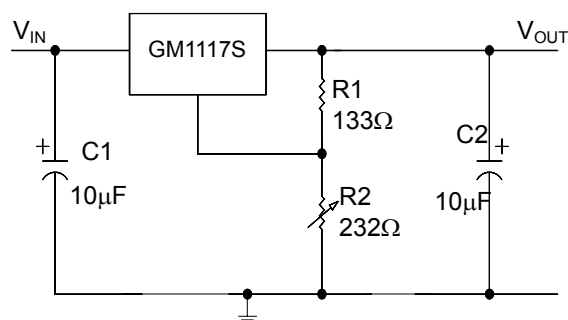
- ◆ Adjustable or Fixed Output
- ◆ Output Current of 1.0A
- ◆ Dropout Voltage 1.5V max @ 1.0A
- ◆ Line Regulation 0.2% max.
- ◆ Load Regulation 0.4% max.
- ◆ Fast Transient Response
- ◆ Current Limit Protection
- ◆ Thermal Shutdown Protection

Application

High Efficiency Linear Regulators
Post Regulators for Switching Supplies
Microprocessor Supply

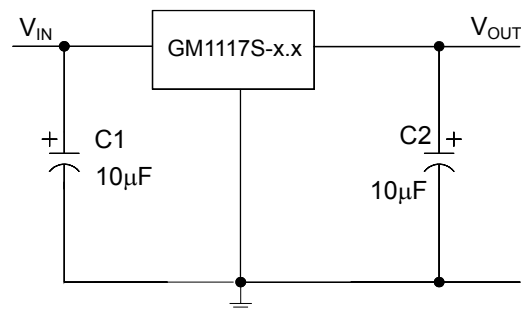
Battery Powered Equipment
Reference Voltage Sources
Hard Drive Controllers
Battery Chargers
Adjustable Power Supply

Typical Application Circuits



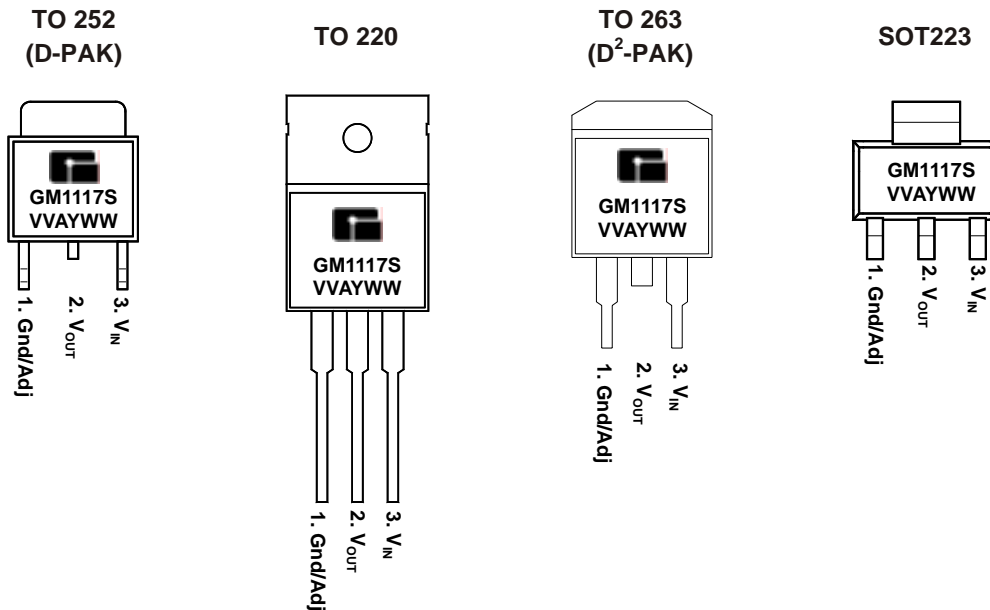
Adjustable Regulator

$$V_{OUT} = 1.25V \left(1 + \frac{R2}{R1} \right)$$



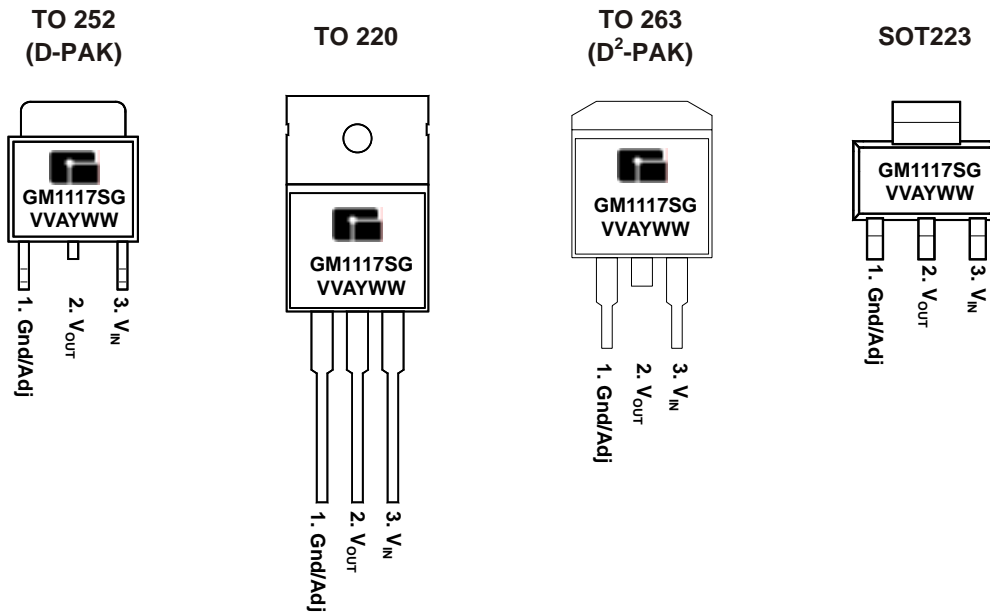
Fixed Output Voltage Regulator

Marking Information and Pin Configurations (Top View) – Pb Free



VV: Voltage suffix (15 = 1.5V, 50 = 5.0V...A = Adj)
A: Assembly / Test site code
Y: Year
WW: Week

Marking Information and Pin Configurations (Top View) – Green



G: Green Product
VV: Voltage suffix (15 = 1.5V, 50 = 5.0V...A = Adj)
A: Assembly / Test site code
Y: Year
WW: Week

Ordering Information – Pb Free Products

Ordering Number	Output Voltage	Package	Shipping
GM1117S-AST3T	Adj	SOT-223	80 Units/Tube
GM1117S-AST3R		SOT-223	2,500 Units / Tape & Reel
GM1117S-ATC3T		TO-252	80 Units/Tube
GM1117S-ATC3R		TO-252	2,500 Units / Tape & Reel
GM1117S-ATB3T		TO-220	50 Units/Tube
GM1117S-ATA3T		TO-263	50 Units/Tube
GM1117S-ATA3R		TO-263	800 Units / Tape & Reel
GM1117S-1.5ST3T	1.5V	SOT-223	80 Units/Tube
GM1117S-1.5ST3R		SOT-223	2,500 Units / Tape & Reel
GM1117S-1.5TC3T		TO-252	80 Units/Tube
GM1117S-1.5TC3R		TO-252	2,500 Units / Tape & Reel
GM1117S-1.5TB3T		TO-220	50 Units/Tube
GM1117S-1.5TA3T		TO-263	50 Units/Tube
GM1117S-1.5TA3R		TO-263	800 Units / Tape & Reel
GM1117S-1.8ST3T	1.8V	SOT-223	80 Units/Tube
GM1117S-1.8ST3R		SOT-223	2,500 Units / Tape & Reel
GM1117S-1.8TC3T		TO-252	80 Units/Tube
GM1117S-1.8TC3R		TO-252	2,500 Units / Tape & Reel
GM1117S-1.8TB3T		TO-220	50 Units/Tube
GM1117S-1.8TA3T		TO-263	50 Units/Tube
GM1117S-1.8TA3R		TO-263	800 Units / Tape & Reel
GM1117S-2.5ST3T	2.5V	SOT-223	80 Units/Tube
GM1117S-2.5ST3R		SOT-223	2,500 Units / Tape & Reel
GM1117S-2.5TC3T		TO-252	80 Units/Tube
GM1117S-2.5TC3R		TO-252	2,500 Units / Tape & Reel
GM1117S-2.5TB3T		TO-220	50 Units/Tube
GM1117S-2.5TA3T		TO-263	50 Units/Tube
GM1117S-2.5TA3R		TO-263	800 Units / Tape & Reel

Ordering Information – Pb Free Products (Continued)

Ordering Number	Output Voltage	Package	Shipping
GM1117S-2.85ST3T	2.85V	SOT-223	80 Units/Tube
GM1117S-2.85ST3R		SOT-223	2,500 Units / Tape & Reel
GM1117S-2.85TC3T		TO-252	80 Units/Tube
GM1117S-2.85TC3R		TO-252	2,500 Units / Tape & Reel
GM1117S-2.85TB3T		TO-220	50 Units/Tube
GM1117S-2.85TA3T		TO-263	50 Units/Tube
GM1117S-2.85TA3R		TO-263	800 Units / Tape & Reel
GM1117S-3.0ST3T	3.0V	SOT-223	80 Units/Tube
GM1117S-3.0ST3R		SOT-223	2,500 Units / Tape & Reel
GM1117S-3.0TC3T		TO-252	80 Units/Tube
GM1117S-3.0TC3R		TO-252	2,500 Units / Tape & Reel
GM1117S-3.0TB3T		TO-220	50 Units/Tube
GM1117S-3.0TA3T		TO-263	50 Units/Tube
GM1117S-3.0TA3R		TO-263	800 Units / Tape & Reel
GM1117S-3.3ST3T	3.3V	SOT-223	80 Units/Tube
GM1117S-3.3ST3R		SOT-223	2,500 Units / Tape & Reel
GM1117S-3.3TC3T		TO-252	80 Units/Tube
GM1117S-3.3TC3R		TO-252	2,500 Units / Tape & Reel
GM1117S-3.3TB3T		TO-220	50 Units/Tube
GM1117S-3.3TA3T		TO-263	50 Units/Tube
GM1117S-3.3TA3R		TO-263	800 Units / Tape & Reel
GM1117S-5.0ST3T	5.0V	SOT-223	80 Units/Tube
GM1117S-5.0ST3R		SOT-223	2,500 Units / Tape & Reel
GM1117S-5.0TC3T		TO-252	80 Units/Tube
GM1117S-5.0TC3R		TO-252	2,500 Units / Tape & Reel
GM1117S-5.0TB3T		TO-220	50 Units/Tube
GM1117S-5.0TA3T		TO-263	50 Units/Tube
GM1117S-5.0TA3R		TO-263	800 Units / Tape & Reel

Ordering Information – Green Products

Ordering Number	Output Voltage	Package	Shipping
GM1117S-AST3TG	Adj	SOT-223	80 Units/Tube
GM1117S-AST3RG		SOT-223	2,500 Units / Tape & Reel
GM1117S-ATC3TG		TO-252	80 Units/Tube
GM1117S-ATC3RG		TO-252	2,500 Units / Tape & Reel
GM1117S-ATB3TG		TO-220	50 Units/Tube
GM1117S-ATA3TG		TO-263	50 Units/Tube
GM1117S-ATA3RG		TO-263	800 Units / Tape & Reel
GM1117S-1.5ST3TG	1.5V	SOT-223	80 Units/Tube
GM1117S-1.5ST3RG		SOT-223	2,500 Units / Tape & Reel
GM1117S-1.5TC3TG		TO-252	80 Units/Tube
GM1117S-1.5TC3RG		TO-252	2,500 Units / Tape & Reel
GM1117S-1.5TB3TG		TO-220	50 Units/Tube
GM1117S-1.5TA3TG		TO-263	50 Units/Tube
GM1117S-1.5TA3RG		TO-263	800 Units / Tape & Reel
GM1117S-1.8ST3TG	1.8V	SOT-223	80 Units/Tube
GM1117S-1.8ST3RG		SOT-223	2,500 Units / Tape & Reel
GM1117S-1.8TC3TG		TO-252	80 Units/Tube
GM1117S-1.8TC3RG		TO-252	2,500 Units / Tape & Reel
GM1117S-1.8TB3TG		TO-220	50 Units/Tube
GM1117S-1.8TA3TG		TO-263	50 Units/Tube
GM1117S-1.8TA3RG		TO-263	800 Units / Tape & Reel
GM1117S-2.5ST3TG	2.5V	SOT-223	80 Units/Tube
GM1117S-2.5ST3RG		SOT-223	2,500 Units / Tape & Reel
GM1117S-2.5TC3TG		TO-252	80 Units/Tube
GM1117S-2.5TC3RG		TO-252	2,500 Units / Tape & Reel
GM1117S-2.5TB3TG		TO-220	50 Units/Tube
GM1117S-2.5TA3TG		TO-263	50 Units/Tube
GM1117S-2.5TA3RG		TO-263	800 Units / Tape & Reel

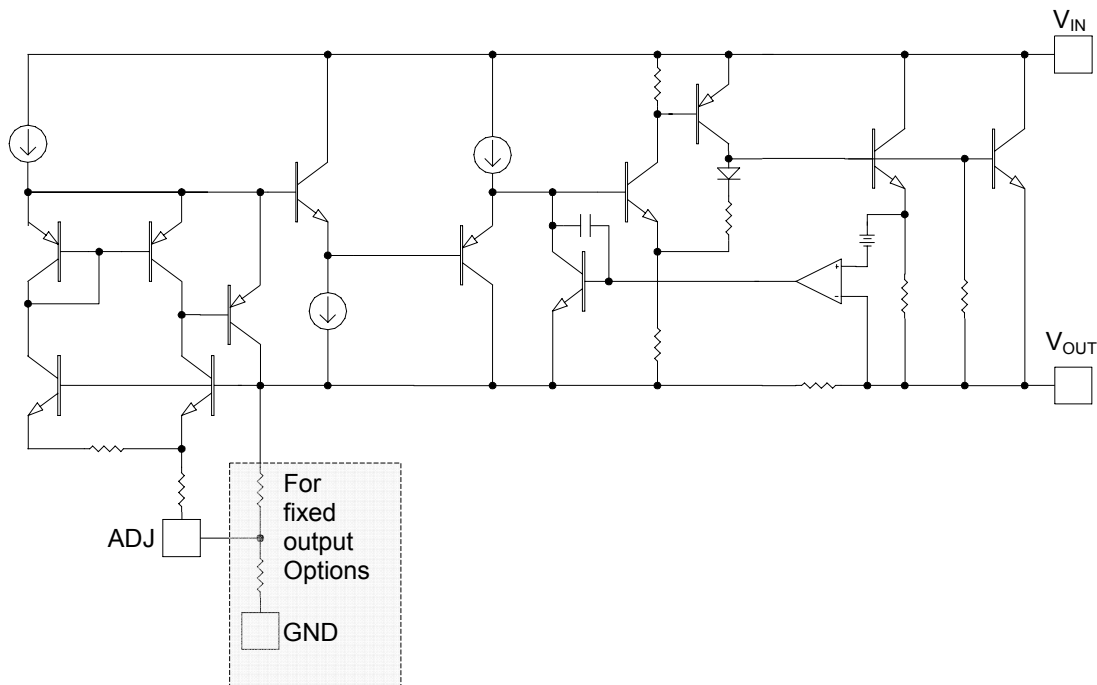
Ordering Information – Green Products (Continued)

Ordering Number	Output Voltage	Package	Shipping
GM1117S-2.85ST3TG	2.85V	SOT-223	80 Units/Tube
GM1117S-2.85ST3RG		SOT-223	2,500 Units / Tape & Reel
GM1117S-2.85TC3TG		TO-252	80 Units/Tube
GM1117S-2.85TC3RG		TO-252	2,500 Units / Tape & Reel
GM1117S-2.85TB3TG		TO-220	50 Units/Tube
GM1117S-2.85TA3TG		TO-263	50 Units/Tube
GM1117S-2.85TA3RG		TO-263	800 Units / Tape & Reel
GM1117S-3.0ST3TG	3.0V	SOT-223	80 Units/Tube
GM1117S-3.0ST3RG		SOT-223	2,500 Units / Tape & Reel
GM1117S-3.0TC3TG		TO-252	80 Units/Tube
GM1117S-3.0TC3RG		TO-252	2,500 Units / Tape & Reel
GM1117S-3.0TB3TG		TO-220	50 Units/Tube
GM1117S-3.0TA3TG		TO-263	50 Units/Tube
GM1117S-3.0TA3RG		TO-263	800 Units / Tape & Reel
GM1117S-3.3ST3TG	3.3V	SOT-223	80 Units/Tube
GM1117S-3.3ST3RG		SOT-223	2,500 Units / Tape & Reel
GM1117S-3.3TC3TG		TO-252	80 Units/Tube
GM1117S-3.3TC3RG		TO-252	2,500 Units / Tape & Reel
GM1117S-3.3TB3TG		TO-220	50 Units/Tube
GM1117S-3.3TA3TG		TO-263	50 Units/Tube
GM1117S-3.3TA3R		TO-263	800 Units / Tape & Reel
GM1117S-5.0ST3TG	5.0V	SOT-223	80 Units/Tube
GM1117S-5.0ST3RG		SOT-223	2,500 Units / Tape & Reel
GM1117S-5.0TC3TG		TO-252	80 Units/Tube
GM1117S-5.0TC3RG		TO-252	2,500 Units / Tape & Reel
GM1117S-5.0TB3TG		TO-220	50 Units/Tube
GM1117S-5.0TA3TG		TO-263	50 Units/Tube
GM1117S-5.0TA3RG		TO-263	800 Units / Tape & Reel

Absolute Maximum Ratings

PARAMETER	SYMBOL	RATINGS	UNITS
Input Voltage	V_{IN}	15	V
Thermal Resistance, Junction to Case	Θ_{JA}	SOT-223	15.0
		TO-252 (D PAK)	6.0
		TO-263 (D ² PAK)	3.0
Operating Junction Temperature	T_J	0 to 125	
Storage Temperature	T_{stg}	- 40 to 125	

Block Diagram



Electrical Characteristics ($T_A = 25^\circ\text{C}$, unless otherwise noted)

Parameter		Symbol	Condition	Min	Typ	Max	Unit
Reference Voltage	GM1117S-Adj	V_{REF}	$I_{OUT} = 10\text{mA}$, $V_{IN} = 5\text{V}$	1.238	1.250	1.262	V
			$10\text{mA} \leq I_{OUT} \leq 1.0\text{A}$, $2.65\text{V} \leq V_{IN} \leq 10\text{V}$	1.225	1.250	1.275	
Output Voltage	GM1117S-1.8	V_{OUT}	$I_{OUT} = 10\text{mA}$, $V_{IN} = 3.3\text{V}$	1.782	1.800	1.818	V
			$10\text{mA} \leq I_{OUT} \leq 1.0\text{A}$, $3.3\text{V} \leq V_{IN} \leq 10\text{V}$	1.764	1.800	1.836	
	GM1117S-2.5		$I_{OUT} = 10\text{mA}$, $V_{IN} = 4\text{V}$	2.475	2.500	2.525	
			$10\text{mA} \leq I_{OUT} \leq 1.0\text{A}$, $4\text{V} \leq V_{IN} \leq 10\text{V}$	2.450	2.500	2.550	
	GM1117S-3.3		$I_{OUT} = 10\text{mA}$, $V_{IN} = 4.8\text{V}$	3.267	3.300	3.333	
			$10\text{mA} \leq I_{OUT} \leq 1.0\text{A}$, $4.8\text{V} \leq V_{IN} \leq 10\text{V}$	3.234	3.300	3.366	
	GM1117S-5.0		$I_{OUT} = 10\text{mA}$, $V_{IN} = 6.5\text{V}$	4.950	5.000	5.050	
			$10\text{mA} \leq I_{OUT} \leq 1.0\text{A}$, $6.5\text{V} \leq V_{IN} \leq 10\text{V}$	4.900	5.000	5.100	
Line Regulation		ΔV_{OL}	$I_{OUT} = 10\text{mA}$, $1.5\text{V} \leq V_{IN} - V_{out} \leq 10\text{V}$		0.04	0.2	%
Load Regulation		ΔV_{OL}	$V_{IN} = V_{OUT} + 1.5\text{V}$ $10\text{mA} \leq I_{OUT} \leq 1.0\text{A}$		0.2	0.4	%
Dropout Voltage		ΔV	$I_{OUT} = 1\text{A}$		1.3	1.5	V
Current Limit		I_{CL}	$V_{IN} = V_{OUT} + 1.5\text{V}$	1.0	1.5	2.0	A
Quiescent Current (Fixed Output Voltage Versions)		I_Q	$V_{IN} = V_{OUT} + 1.5\text{V}$ $10\text{mA} \leq I_{OUT} \leq 1.0\text{A}$		3.5	10	mA
Adjust Pin Current	GM1117S-Adj	I_{Adj}	$I_{OUT} = 10\text{mA}$, $2.75\text{V} \leq V_{IN} \leq 7\text{V}$		40	90	μA
Temperature Coefficient			$V_{IN} = V_{OUT} + 1.5\text{V}$ $I_{OUT} = 10\text{mA}$		0.005		%/°C
Thermal Regulation		T_C	$T_A = 25^\circ\text{C}$, 30ms pulse		0.003		%/W
Ripple Rejection		R_A	$V_{IN} = V_{OUT} + 1.5\text{V}$ $I_{OUT} = 1\text{A}$	60	65		dB

Typical Performance Characteristics

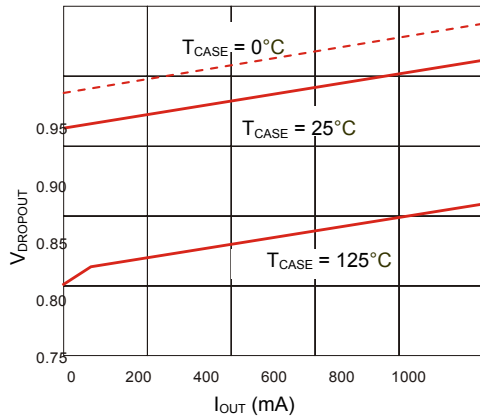


Figure 1. Dropout Voltage vs. Output Current

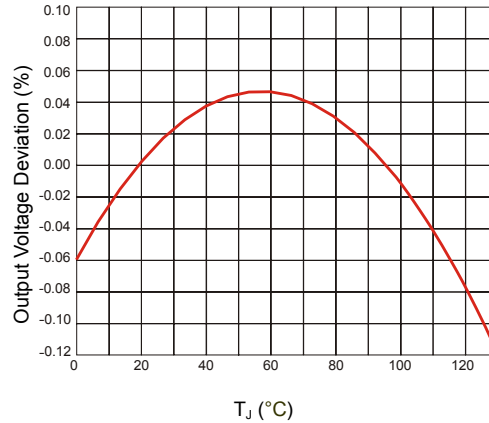


Figure 2. Reference Voltage vs. Temperature

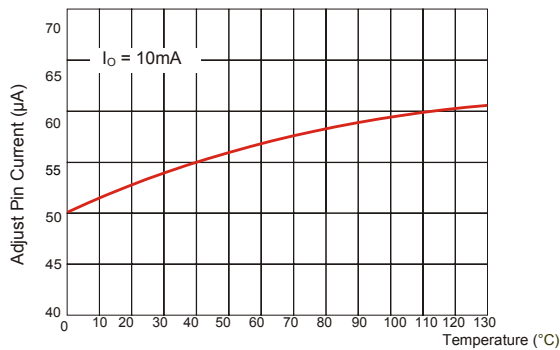


Figure 3. Adjust Pin Current vs. Temperature

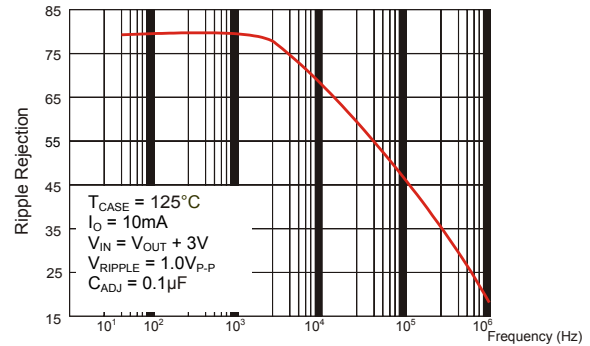


Figure 4. Ripple Rejection vs. Frequency

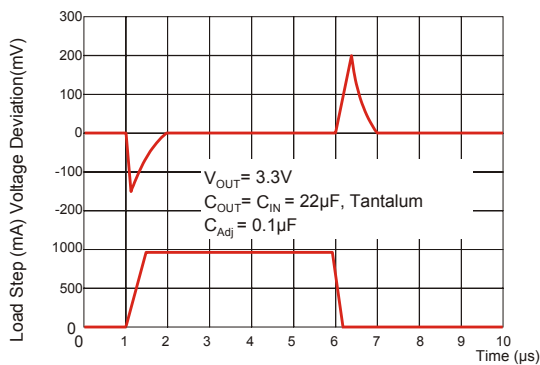


Figure 5. Transient Response

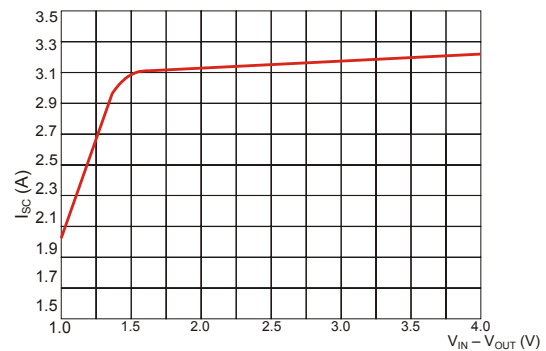
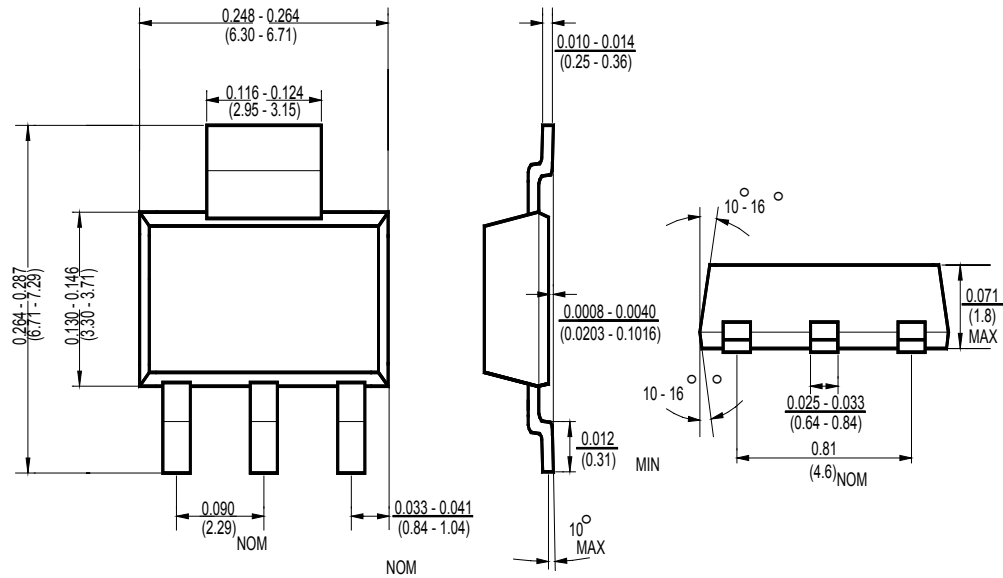
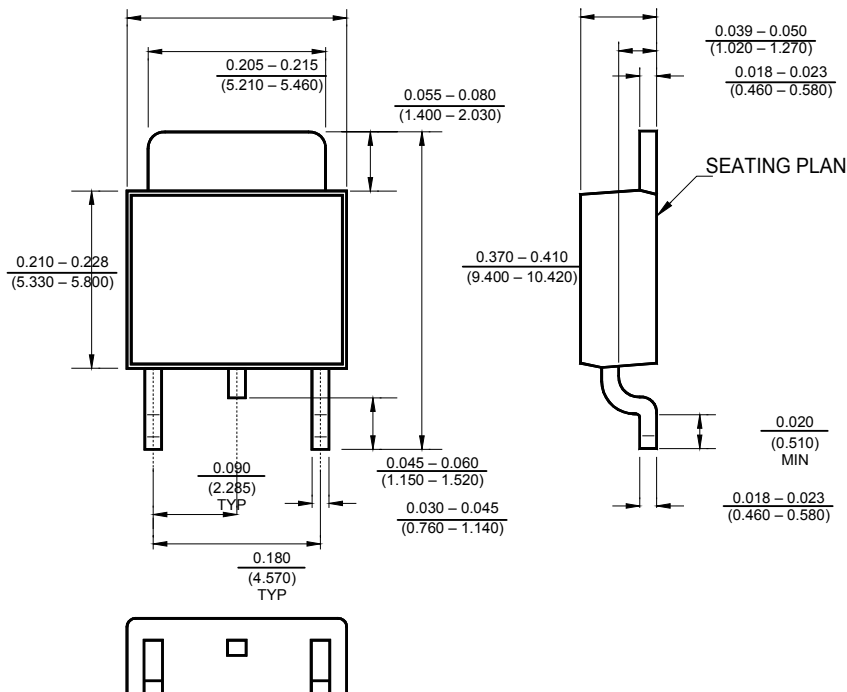


Figure 6. Short Circuit Current vs. $V_{IN} - V_{OUT}$

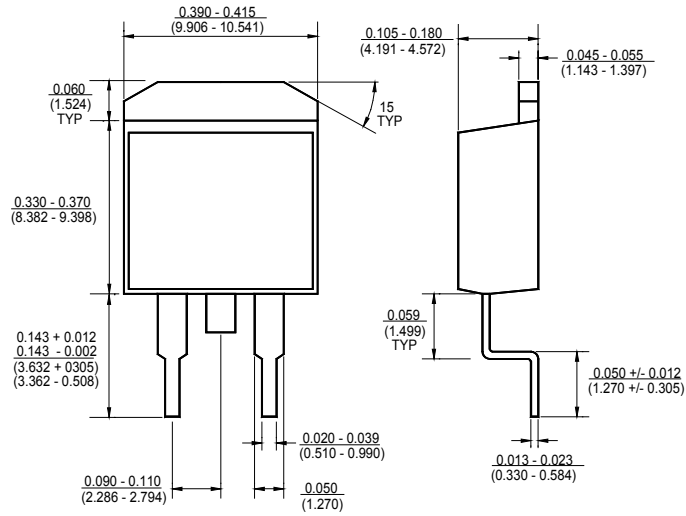
Package Outline Dimensions – SOT223



Package Outline Dimensions – TO252



Package Outline Dimensions – TO263



Ordering Number

<u>GM</u>	<u>1117S</u>	<u>A</u>	<u>ST3</u>	<u>R</u>	<u>G</u>
APM Gamma Micro	Circuit Type	Output Voltage A: Adj 1.8 = 1.8V 2.5 = 2.5V 3.3 = 3.3V 5.0 = 5.0V	Package Type ST3: SOT223 TA3: TO263 TB3: TO220 TC3: TO252	Shipping Type R: Taping & Reel T: Tube	Blank: Pb-free G:Green

Note:

Pb-free products:

- ◆ RoHS compliant and compatible with the current requirements of IPC/JEDEC J-STD-020.
- ◆ Suitable for use in SnPb or Pb-free soldering processes with 100% matte tin (Sn) plating.

Green products:

- ◆ Lead-free (RoHS compliant)
- ◆ Halogen free (Br or Cl does not exceed 900ppm by weight in homogeneous material and total of Br and Cl does not exceed 1500ppm by weight)