

### Specification

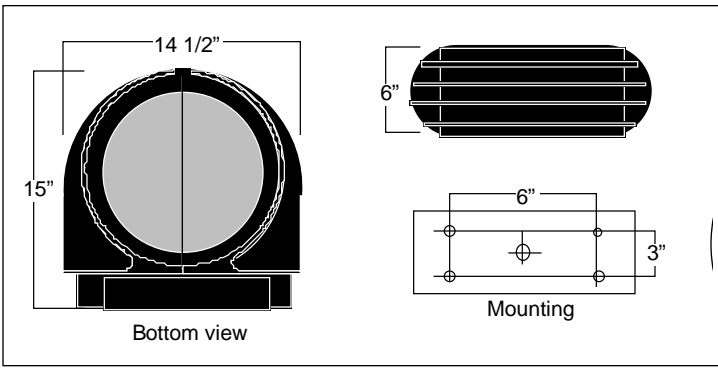
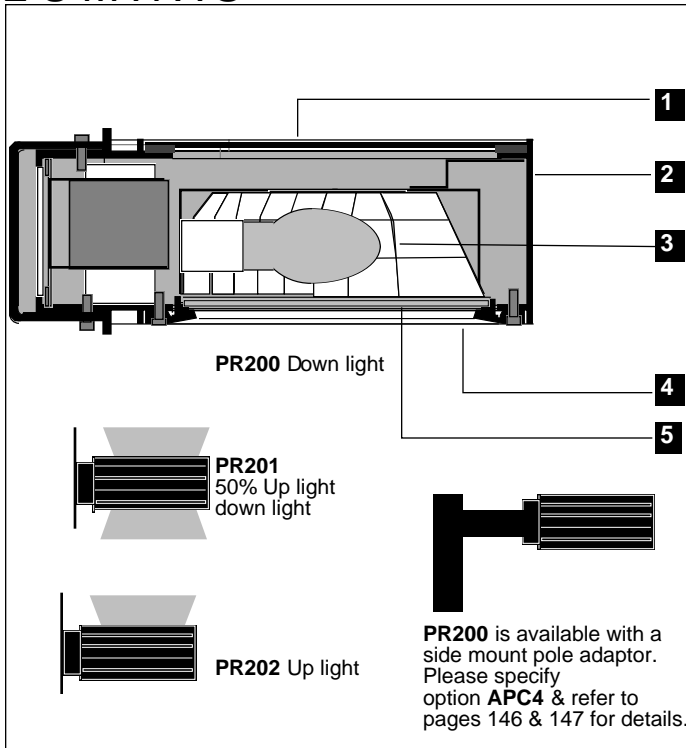
### PR200 . PR201 . PR202

All exposed cast aluminum components are made of non corrosive pure aluminum copper free (Aluminum is less than .1% copper content.#356 alloy.)

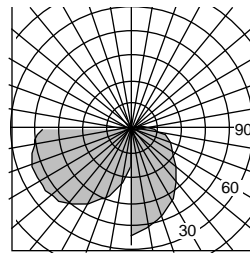
Finish: All polyester powder baked coatings preceded with a 5 baths preparation process. Meets military grade MIL-C781706 with a 2000 hours salt spray test.

- Pulse rated medium base porcelain socket.
- 75W/600V thermoplastic compact fluorescent socket.
- One-piece molded silicone gasket with memory retention.
- High power factor CWA ballast. Or 98% P.F.electronic smart ballast with end of life detection for compact fluorescent.
- All stainless steel hardware.
- All Moving and removable parts are sealed with a memory retention silicone gasket.

- 1- Open or closed top with sealed clear tempered lens or sealed aluminum cover.(Flush mount for dust and debris free.)
- 2- One piece cast aluminum luminaire housing.
- 3- Standard type III specular reflector.
- 4- One piece cast aluminum lens frame.
- 5- Clear tempered glass.



### Photometry



Separate updated technical specification sheets with related models and light sources with I.E.S formatted photometry are available on [www.luminis.com](http://www.luminis.com).

### Certification

UL. Wet Location.

### Mounting & EPA

Max. Max. weight: 38 lbs. Installation: Mounts over a standard 4" octagonal electrical box with 3 1/2" c/c mounting holes.

For options details and specifications, please refer to page 42 & 72

Model#	Light source selection	Voltage	Finish	Options
<input type="checkbox"/> PR200 <input type="checkbox"/> PR201 <input type="checkbox"/> PR202	<div style="display: flex; justify-content: space-between;"> <div> <p><b>MH (ED17)</b></p> <input type="checkbox"/> M70  <input type="checkbox"/> M100  <input type="checkbox"/> M150  <input type="checkbox"/> M175</div> <div> <p><b>HPS (ED17)</b></p> <input type="checkbox"/> H70  <input type="checkbox"/> H100  <input type="checkbox"/> H150</div> </div> <div style="display: flex; justify-content: space-between;"> <div> <p><b>CF (Gx24q)</b></p> <p><b>Single lamp</b></p> <input type="checkbox"/> F157  <input type="checkbox"/> F170</div> <div> <p><b>CF (Gx24q)</b></p> <p><b>Two lamps</b></p> <input type="checkbox"/> F232  <input type="checkbox"/> F242  <input type="checkbox"/> F257  <input type="checkbox"/> F270</div> </div>	<p><b>120 V</b> Standard factory prewired (If no voltage is specified)                      For other voltages, please specify with catalog number.</p> <p><b>H.I.D.</b></p> <input type="checkbox"/> 208 V <input type="checkbox"/> 240 V <input type="checkbox"/> 277 V <input type="checkbox"/> 347 V <p><b>COMP. FLUO.</b>  <b>Smart ballast 120/277</b></p> <input type="checkbox"/> 347 V (To specify)	<p>(Refer to color chart)  <b>Standard selection</b></p> <input type="checkbox"/> <b>WHT:</b> Snow white <input type="checkbox"/> <b>BKT:</b> Jet black <input type="checkbox"/> <b>BZT:</b> Bronze <input type="checkbox"/> <b>GRT:</b> Titanium gray <input type="checkbox"/> <b>DGT:</b> Gun metal <input type="checkbox"/> <b>CHT:</b> Champagne <input type="checkbox"/> <b>MST:</b> Matte silver <input type="checkbox"/> <b>GNT:</b> Forest green <p><b>Optional colors</b></p> <input type="checkbox"/> <b>CS:</b> Custom color <input type="checkbox"/> <b>RAL:</b> RAL# color	<p><input type="checkbox"/> <b>APC4:</b> Side pole mount adaptor</p> <p><b>Accessories</b></p> <p><input type="checkbox"/> <b>EM42S:</b> 1 lamp (26/32/42W)  <input type="checkbox"/> <b>FS:</b> Fuse  <input type="checkbox"/> <b>PH1:</b> 120/277V photo cell  <input type="checkbox"/> <b>PH2:</b> 347V photo cell  <input type="checkbox"/> <b>QS:</b> Standby lamp socket.  <input type="checkbox"/> <b>QRS:</b> H.I.D. lamp restrike</p> <p>Note: EM optional battery test switch and pilot lamp are installed remotely. (see page 72)</p>

Luminaries may be altered for design improvements or discontinued without prior notice.