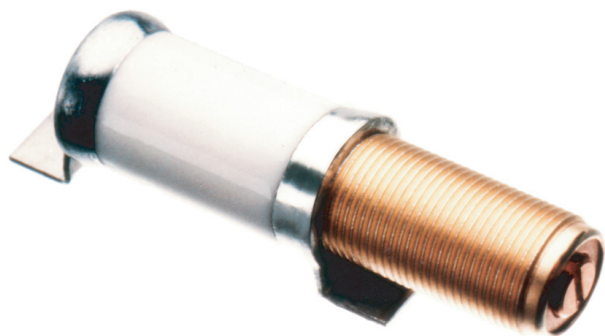
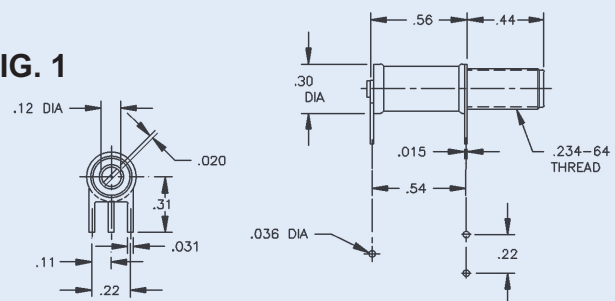


# "A\_HV" EXTENDED RANGE SERIES - PTFE Dielectric Trimmer Capacitors



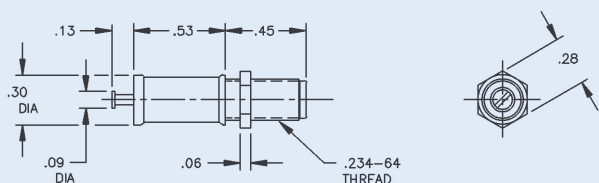
**FIG. 1**



**FIG. 1**

Part Number	DC Working Voltage	DC Withstanding Voltage	Capacitance (pF)	
			From Below	To Above
* AP10-5	2500	5000	0.8	10.0
* AP20-5	2500	5000	0.8	20.0
AP40HV	1000	2000	1.5	40.0
AP40SD	250	500	1.5	40.0
AP55HV	600	1200	1.5	55.0
AP55SD	125	250	1.5	55.0

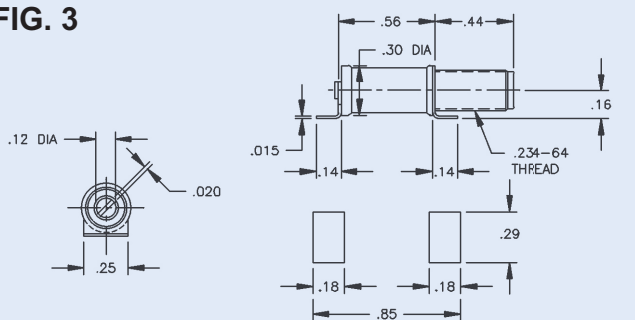
**FIG. 2**



**FIG. 2**

* AT10-5	2500	5000	0.8	10.0
* AT20-5	2500	5000	0.8	20.0
AT40HV	1000	2000	1.5	40.0
AT40SD	250	500	1.5	40.0
AT55HV	600	1200	1.5	55.0
AT55SD	125	250	1.5	55.0

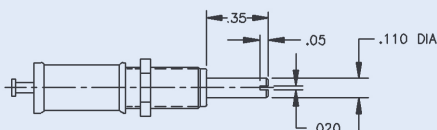
**FIG. 3**



**FIG. 3**

* AJ10-5	2500	5000	0.8	10.0
* AJ20-5	2500	5000	0.8	20.0
AJ40HV	1000	2000	1.5	40.0
AJ40SD	250	500	1.5	40.0
AJ55HV	600	1200	1.5	55.0
AJ55SD	125	250	1.5	55.0

**EXTENDED METAL SHAFT**



Recommended Tuning Tool: TT-100 or TT-500

NOTE: All brushing threads are .234"-64

**EXTENDED SHAFT OPTION**

Extended Metal Shaft: Add "E" to Part Number, i.e., AT40SDE, AT10-5E

\* Q at 100 MHz at maximum rated C: 3000  
Temperature Coefficient: 0-100 ppm/°C

<b>IN</b>	0.015	0.020	0.031	0.036	0.050	0.060	0.090	0.110	0.120	0.130	0.140	0.160	0.180	0.220	0.250	0.280	0.290	0.300	0.310	0.340	0.440	0.450	0.530	0.540	0.560	0.850
<b>MM</b>	0.38	0.51	0.79	0.91	1.27	1.52	2.29	2.79	3.05	3.30	3.56	4.06	4.57	5.59	6.35	7.11	7.37	7.62	7.87	8.64	11.18	11.43	13.46	13.72	14.22	21.59