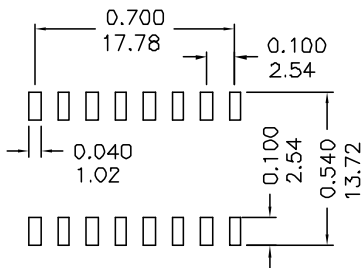
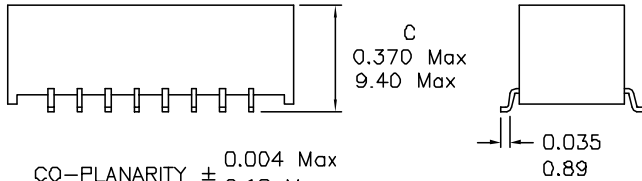
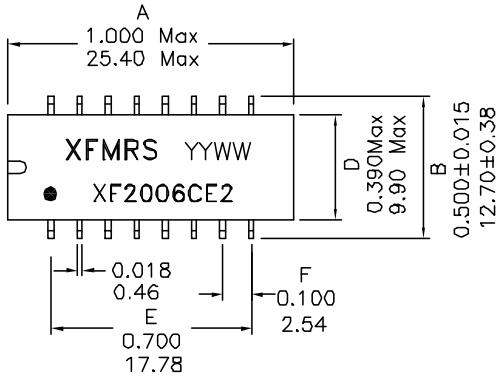


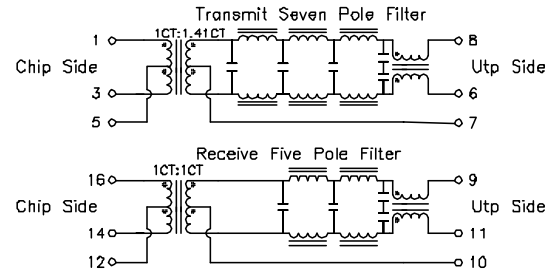
### 1. Dimensions:



- Notes:
- Solderability: Leads shall meet MIL-STD-202, Method 208D for solderability.
  - Flammability: UL94V-0
  - ASTM oxygen index: > 28%
  - Insulation System: Class F 155°C. UL file E151556
  - Operating Temperature Range: All listed parameters are to be within tolerance from -40°C to +85°C
  - Storage Temperature Range: -55°C to +125°C
  - Aqueous wash compatible
  - SMD Lead Coplanarity: ±0.004\*(0.102mm)
  - Moisture Sensitivity: Level 3
  - Electrical and mechanical specifications 100% tested
  - RoHS Compliant Component

DOC REV A/1

### 2. Schematic:



### 3. Electrical Specifications: @25°C

- Turns ratio: TX: 1CT:1.41CT±3% RX: 1CT:1CT±3%
- Isolation Voltage: 1500VAC (INPUT/OUTPUT)
- TX Insertion Loss (5-10MHz): -1.2dB Max
- RX Insertion Loss (1-10MHz): -1.0dB Max
- Return Loss (5-10MHz): -15dB Min
- Crosstalk (1-10MHz): -30dB Min
- Common mode rejection (30-100MHz): -24dB Min
- Attenuation (TX): -7dB Min @20MHz, -19dB Min @25MHz, -30dB Min @30MHz, -32dB Min @40MHz
- Attenuation (RX): -6dB Min @20MHz, -14dB Min @25MHz, -20dB Min @30MHz, -31dB Min @40MHz
- Cut-Off: 17MHz±1.5MHz

<b>XFMS Inc</b> www.XFMS.com	Title: <b>10 BASE-T FILTER</b>	
	UNLESS OTHERWISE SPECIFIED TOLERANCES: .xxx ±0.010 Inch	P/N: XF2006CE2
Dimensions in Inch/mm	CHK. 李清儿	Dec-17-04
SHEET 1 OF 1	APP. J Ng	Dec-17-04

**PROPRIETARY** Document is the property of XFMS Group & is not allowed to be duplicated without authorization.