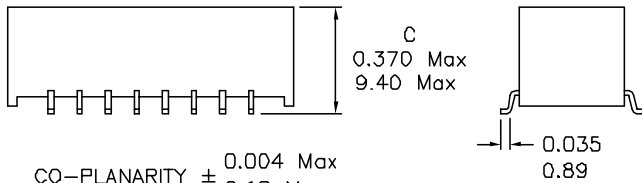
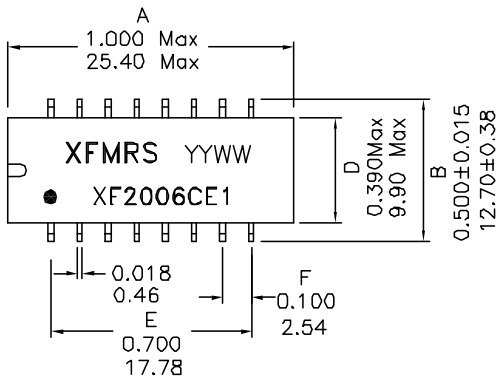
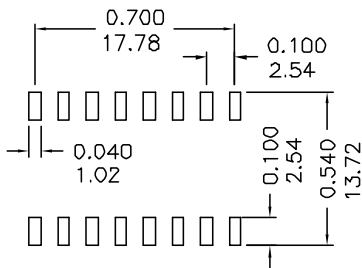


1. Dimensions:



CO-PLANARITY ± 0.004 Max
0.10 Max



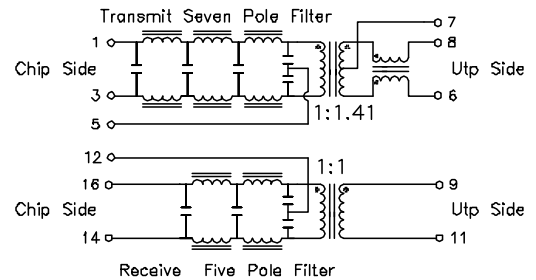
SUGGESTED FOOTPRINT

Notes:

1. Solderability: Leads shall meet MIL-STD-202, Method 208D for solderability.
2. Flammability: UL94V-0
3. ASTM oxygen index: > 28%
4. Insulation System: Class F 155°C. UL file E151556
5. Operating Temperature Range: All listed parameters are to be within tolerance from -40°C to +85°C
6. Storage Temperature Range: -55°C to +125°C
7. Aqueous wash compatible
8. SMD Lead Coplanarity: ±0.004*(0.102mm)
9. Moisture Sensitivity: Level 3
10. Electrical and mechanical specifications 100% tested
11. RoHS Compliant Component

DOC REV A/1

2. Schematic:



3. Electrical Specifications: @25°C

Turns ratio: TX: 1:1.41±3% RX: 1:1±3%
 Isolation Voltage: 1500VAC (INPUT/OUTPUT)
 Insertion Loss (1MHz-10MHz): 1.0dB Maximum
 Return Loss (5MHz-10MHz): 17dB Typ, 15dB Min. 98±13 Ohms
 For reference only
 17dB Typ, 15dB Min. 100 Ohms
 Attenuation (TX): -30dB Minimum @30 MHz
 -27dB Min @40MHz, -27dB Min @100MHz
 Crosstalk: -35dB Min @5-10MHz
 Common mode rejection (TX):
 5MHz, 10MHz, 50MHz, 100MHz
 -40 -45 -35 -30dB Typ
 TRANSMIT IMPEDANCE: 50:100 OHMS
 RECEIVE IMPEDANCE: 100:100 OHMS
 PACKING: TAPE AND REEL, 250 UNITS PER REEL

PROPRIETARY Document is the property of XFMRs Group & is not allowed to be duplicated without authorization.

XFMRs Inc www.XFMRs.com	Title: 10 BASE-T FILTER	
	UNLESS OTHERWISE SPECIFIED TOLERANCES: .xxx ±0.010 Inch	P/N: XF2006CE1
Dimensions in Inch/mm	CHK. 李清儿	Dec-10-04
SHEET 1 OF 1	APP. J Ng	Dec-10-04