

FEATURES

- Very Low Total Harmonic Distortion
- Low Glitch Energy
- Fast Settling Time
- Four Quadrant Multiplication
- On-Chip Latches for Both DACs
- 4.5 V to 5.5 V Operation
- Low Power Consumption
- TTL/5V CMOS Compatible
- Latch-Up Free
- 15 V Operation: MP7529A

BENEFITS

- Quiet Operation in Audio Applications
- Easy Interface to Microprocessors

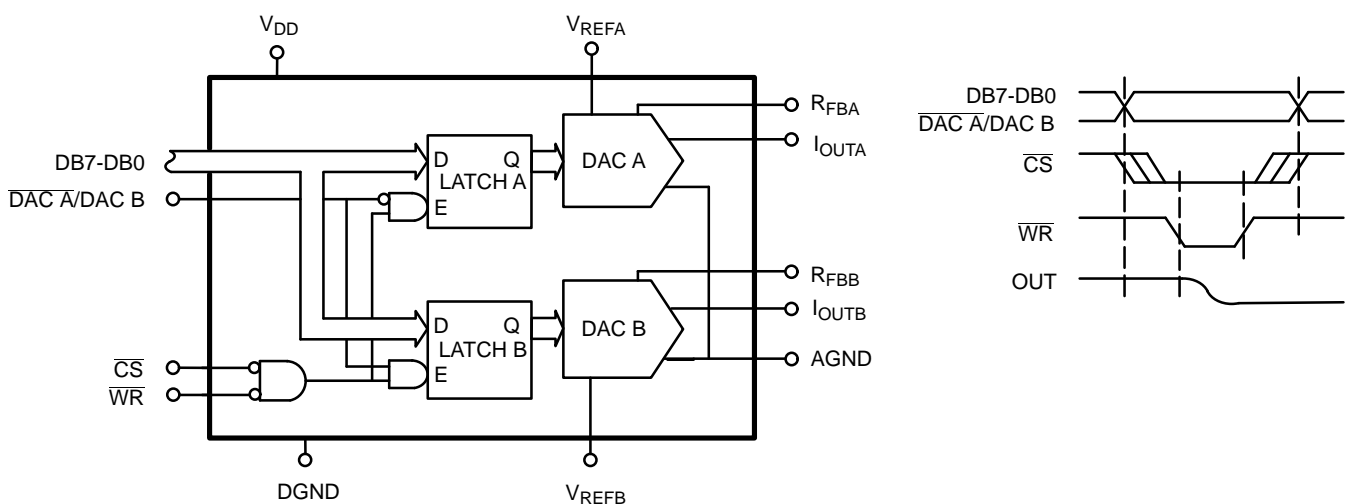
GENERAL DESCRIPTION

The MP7529B is a dual 8-bit Digital-to-Analog Converter featuring excellent DAC to DAC matching, tracking and specifically optimized for applications requiring low total harmonic distortion. The MP7529B is manufactured using advanced thin film resistors on a double metal CMOS process. The MP7529B incorporates a unique bit decoding technique yielding lower glitch energy, higher speed and excellent accuracy over temperature and time.

Data is transferred to either of the two D/A Converter latches via a common 8-bit TTL/5 V CMOS compatible input port. The control input $\overline{\text{DAC A/DAC B}}$ determines which D/A is to be loaded.

The device operates from a 4.5 V to 5.5 V power supply, and is TTL-compatible over this range. Power dissipation is only 10 mW. Both DACs offer excellent four quadrant multiplication characteristics, and include separate reference inputs and feedback resistors. An improved latch-up resistant design eliminates the need for external protective Schottky diodes in most applications.

SIMPLIFIED BLOCK AND TIMING DIAGRAM

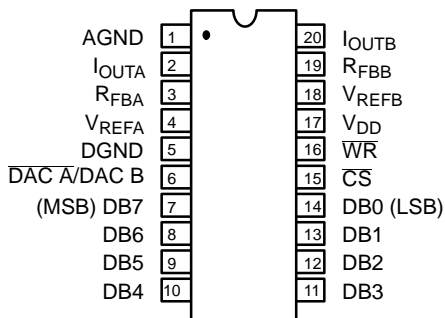


ORDERING INFORMATION

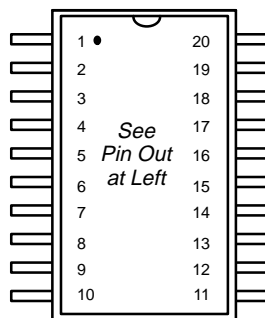
Package Type	Temperature Range	Part No.	INL (LSB)	DNL (LSB)	Gain Error (LSB)
Plastic Dip	-40 to +85°C	MP7529BJN	±1	±1	±5
Plastic Dip	-40 to +85°C	MP7529BKN	±1/2	±1	±3
SOIC	-40 to +85°C	MP7529BJS	±1	±1	±5
SOIC	-40 to +85°C	MP7529BKS	±1/2	±1	±3
PLCC	-40 to +85°C	MP7529BJP	±1	±1	±5
PLCC	-40 to +85°C	MP7529BKP	±1/2	±1	±3

PIN CONFIGURATIONS

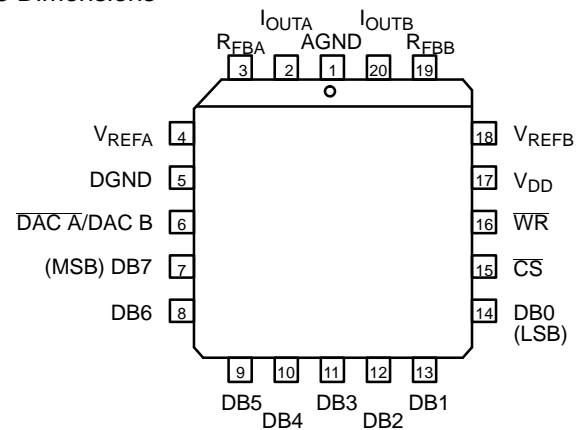
See Packaging Section for Package Dimensions



20 Pin PDIP (0.300")
N20



20 Pin SOIC (Jedec, 0.300")
S20



20 Pin PLCC
P20

PIN OUT DEFINITIONS

PIN NO.	NAME	DESCRIPTION
1	AGND	Analog Ground
2	I _{OUTA}	Current Output of DAC A
3	R _{FBA}	Internal Feedback Resistor of DAC A
4	V _{REFA}	Reference Input Voltage of DAC A
5	DGND	Digital Ground
6	DAC A/DAC B	DAC selection control
7	DB7	Data Input Bit 7 (MSB)
8	DB6	Data Input Bit 6
9	DB5	Data Input Bit 5
10	DB4	Data Input Bit 4

PIN NO.	NAME	DESCRIPTION
11	DB3	Data Input Bit 3
12	DB2	Data Input Bit 2
13	DB1	Data Input Bit 1
14	DB0	Data Input Bit 0 (LSB)
15	CS	Chip Select (Active Low)
16	WR	Write Enable (Active Low)
17	V _{DD}	Power Supply
18	V _{REFB}	Reference Input Voltage of DAC B
19	R _{FBB}	Internal Feedback Resistor of DAC B
20	I _{OUTB}	Current Output of DAC B

ELECTRICAL CHARACTERISTICS

($V_{DD} = 4.5\text{ V to }5.5\text{ V}$, Nominal $V_{DD} = 5\text{ V}$, $V_{REF} = 10\text{ V}$ unless otherwise noted)

Parameter	Symbol	25°C			Tmin to Tmax		Units	Test Conditions/Comments
		Min	Typ	Max	Min	Max		
STATIC PERFORMANCE¹								
Resolution (All Grades)	N	8			8		Bits	
Integral Non-Linearity (Relative Accuracy)	INL						LSB	End Point Linearity Spec.
J				±1			±1	
K				±1/2			±1/2	
Differential Non-Linearity	DNL						LSB	All grades monotonic over full temperature range.
J				±1			±1	
K				±1			±1	
Gain Error	GE						LSB	Using Internal R_{FB}
J				±4			±5	
K				±2			±3	
Gain Temperature Coefficient ²	TC_{GE}			±15			±15	ppm/°C $\Delta\text{Gain}/\Delta\text{Temperature}$
Power Supply Rejection Ratio	PSRR			±100			±200	$ \Delta\text{Gain}/\Delta V_{DD} $, $\Delta V_{DD} = \pm 5\%$ $V_{DD} = 4.75\text{ V}, \pm 5\%$, & $5.25\text{ V} \pm 5\%$
Output Leakage Current	I_{LKG}			±50			±200	nA
DYNAMIC PERFORMANCE²								
Harmonic Distortion	THD		-95					dB $V_{IN} = 6V_{RMS} @ 1\text{ KHz}$
Digital Crosstalk	Q		30					nVs
AC Feedthrough	F_T							dB
V_{REFA} to I_{OUTA}	F_{TA}		-70				-65	dB
V_{REFB} to I_{OUTB}	F_{TB}		-70				-65	dB
Channel-to-Channel Isolation	CCI							dB
V_{REFA} to I_{OUTB}	C_{CIBA}		-77					dB
V_{REFB} to I_{OUTA}	C_{CIAB}		-77					dB
Glitch Energy	Egl		10					nVs
Current Settling Time	t_S		200				250	ns
Propagation Delay	t_{PD}		100				150	ns
REFERENCE INPUT								
Input Resistance	R_{IN}	8		15	8	15	k Ω	
Input Resistance Matching				±1		±1	%	
DIGITAL INPUTS³								
Logical "1" Voltage	V_{IH}	2.4			2.4			V
Logical "0" Voltage	V_{IL}			0.8		0.8		V
Input Leakage Current	I_{LKG}			±1		±10		μA
Input Capacitance ²								
Data	C_{IN}			10		10		pF
Control	C_{IN}			15		15		pF

ELECTRICAL CHARACTERISTICS (CONT'D)

Parameter	Symbol	25°C			Tmin to Tmax		Units	Test Conditions/Comments
		Min	Typ	Max	Min	Max		
ANALOG OUTPUTS²								
Output Capacitance	C _{OUTA/B}			120		120	pF	DAC inputs all 1's DAC inputs all 0's
	C _{OUTA/B}			50		50	pF	
POWER SUPPLY								
Supply Current	I _{DD}			1		1	mA	All digital inputs = 0 V or 5 V All digital inputs = V _{IL} or V _{IH}
				2		2	mA	
TIMING SPECIFICATIONS⁴								
Chip Select to Write Set-Up Time	t _{CS}	60				80	ns	
Chip Select to Write Hold Time	t _{CH}	15				20	ns	
DAC Select to Write Set-Up Time	t _{AS}	60				80	ns	
DAC Select to Write Hold Time	t _{AH}	15				20	ns	
Data Valid to Write Set-Up Time	t _{DS}	60				80	ns	
Data Valid to Write Hold Time	t _{DH}	0				0	ns	
Write Pulse Width ⁵	t _{WR}	60				80	ns	

NOTES:

- 1 Full Scale Range (FSR) is 10V for unipolar mode.
- 2 Guaranteed but not production tested.
- 3 Digital input levels should not go below GND or exceed the positive supply voltage, otherwise damage may occur.
- 4 See timing diagram.
- 5 t_{WR} = 40ns minimum if t_{DH} > 15ns (@T = 25°C)

Specifications are subject to change without notice

ABSOLUTE MAXIMUM RATINGS (TA = +25°C unless otherwise noted)^{1, 2, 3}

V _{DD} to GND	0 to +7 V	V _{RFBA} , V _{RFBB} to GND	±25 V
AGND to DGND	±1 V (Functionality Guaranteed ±0.5 V)	Storage Temperature	-65°C to +150°C
Digital Input Voltage to GND	GND -0.5 to V _{DD} +0.5 V	Lead Temperature (Soldering, 10 seconds)	+300°C
I _{OUTA} , I _{OUTB} to GND	GND -0.5 to V _{DD} +0.5 V	Package Power Dissipation Rating to 75°C	
V _{REFA} , V _{REFB} to GND	±25 V	PDIP, SOIC, PLCC	900mW
		Derates above 75°C	12mW/°C

NOTES:

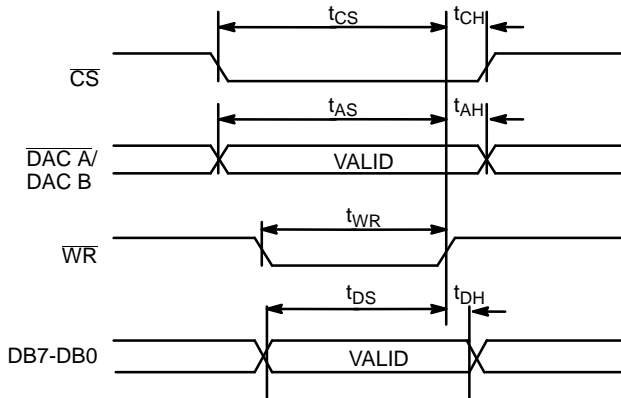
- 1 Stresses above those listed under "Absolute Maximum Ratings" may cause permanent damage to the device. This is a stress rating only and functional operation at or above this specification is not implied. Exposure to maximum rating conditions for extended periods may affect device reliability.
- 2 Any input pin which can see a value outside the absolute maximum ratings should be protected by Schottky diode clamps (HP5082-2835) from input pin to the supplies. *All inputs have protection diodes* which will protect the device from short transients outside the supplies of less than 100mA for less than 100µs.
- 3 GND refers to AGND and DGND.

DIGITAL INTERFACE

The digital inputs are designed to be both TTL and 5 V CMOS compatible. All logic inputs are static protected MOS gates with typical input currents of less than 10nA.

The control input $\overline{\text{DAC A/DAC B}}$ selects which DAC can accept data from the input port. Inputs $\overline{\text{CS}}$ and $\overline{\text{WR}}$ control the operating mode of the selected DAC (Table 1.). When $\overline{\text{CS}}$ and $\overline{\text{WR}}$

are both low the selected DAC is in the write mode. The input data latches of the selected DAC are transparent and its analog output responds to activity on DB0-DB7 (Write mode). The selected DAC latch retains the data which was present on DB0-DB7 just prior to $\overline{\text{CS}}$ or $\overline{\text{WR}}$ assuming a high state. Both analog outputs remain at the values corresponding to the data in their respective latches (Hold mode).



NOTE:

1. Timing measured from $(V_{IH} + V_{IL}) / 2$

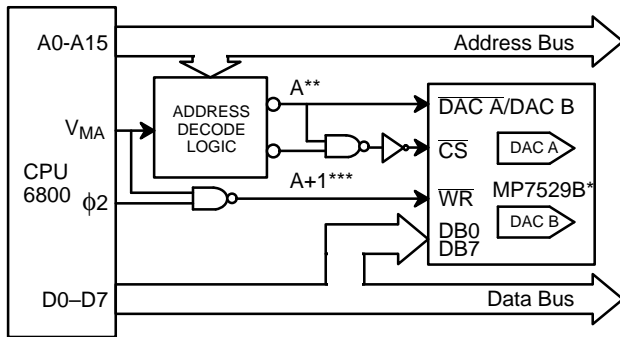
Figure 1. Write Cycle Timing Diagram

DAC A/ DAC B	$\overline{\text{CS}}$	$\overline{\text{WR}}$	DAC A	DAC B
L	L	L	WRITE	HOLD
H	L	L	HOLD	WRITE
X	H	X	HOLD	HOLD
X	X	H	HOLD	HOLD

L = Low State H = High State X = Don't Care

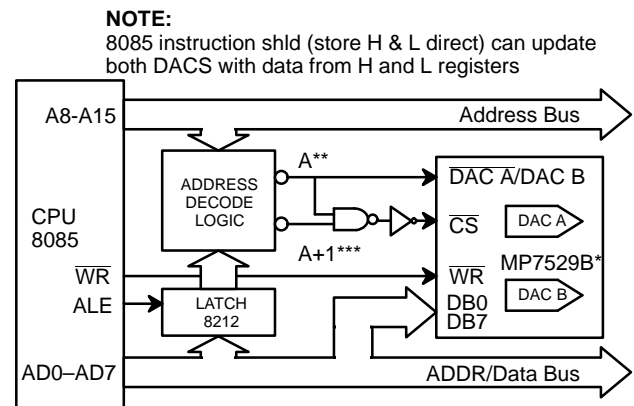
Table 1. DAC's Mode Selection

MICROPROCESSOR INTERFACE



*Analog circuitry has been omitted for clarity
 **A = Decoded 7529B DAC A Address
 ***A + 1 = Decoded 7529B DAC B Address

Figure 2. MP7529B Dual DAC to 6800 CPU Interface



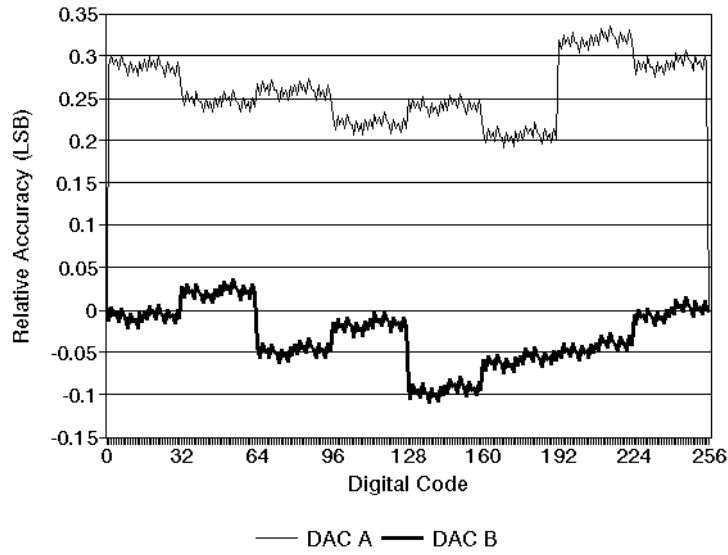
NOTE:

8085 instruction shld (store H & L direct) can update both DACs with data from H and L registers

*Analog circuitry has been omitted for clarity
 **A = Decoded 7529B DAC A Address
 ***A + 1 = Decoded 7529B DAC B Address

Figure 3. MP7529B Dual DAC to 8085 CPU Interface

PERFORMANCE CHARACTERISTICS

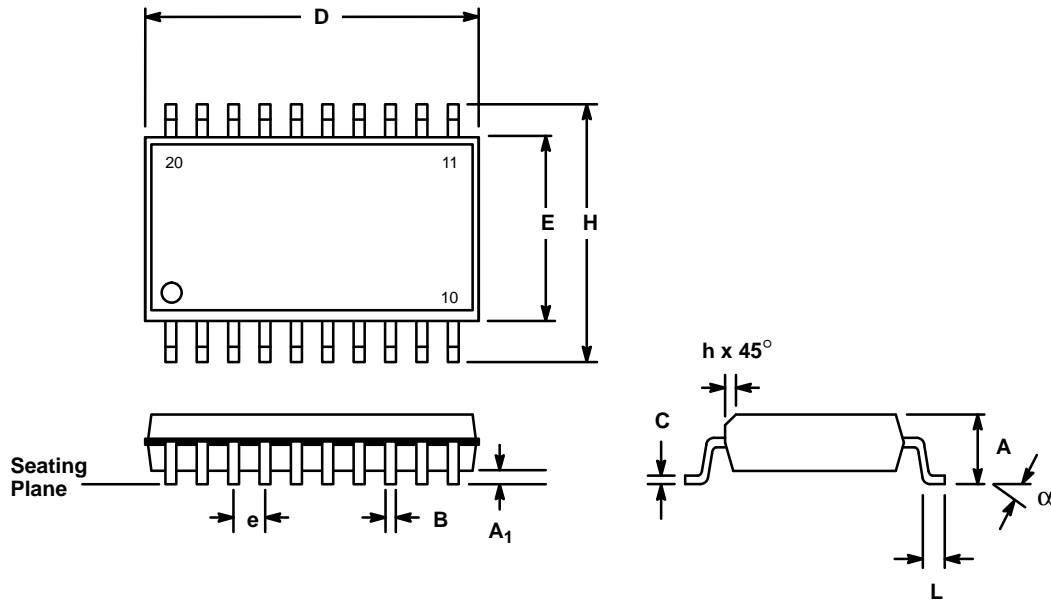


Graph 1. Relative Accuracy vs. Digital Code

APPLICATION NOTES

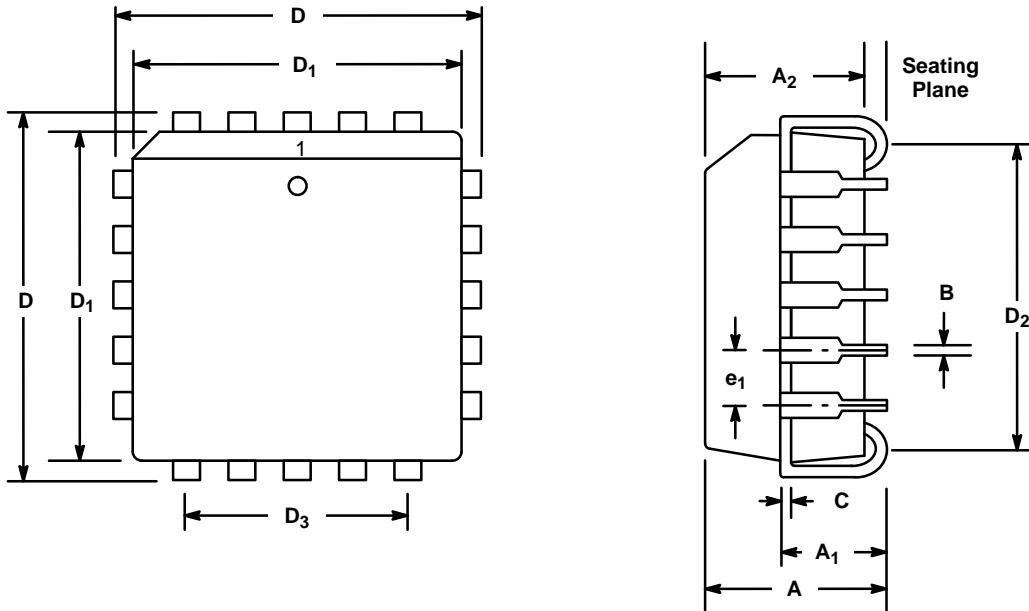
Refer to Section 8 for Applications Information

**20 LEAD SMALL OUTLINE
(300 MIL JEDEC SOIC)
S20**



SYMBOL	INCHES		MILLIMETERS	
	MIN	MAX	MIN	MAX
A	0.097	0.104	2.464	2.642
A ₁	0.0050	0.0115	0.127	0.292
B	0.014	0.019	0.356	0.483
C	0.0091	0.0125	0.231	0.318
D	0.500	0.510	12.70	12.95
E	0.292	0.299	7.42	7.59
e	0.050 BSC		1.27 BSC	
H	0.400	0.410	10.16	10.41
h	0.010	0.016	0.254	0.406
L	0.016	0.035	0.406	0.889
α	0°	8°	0°	8°

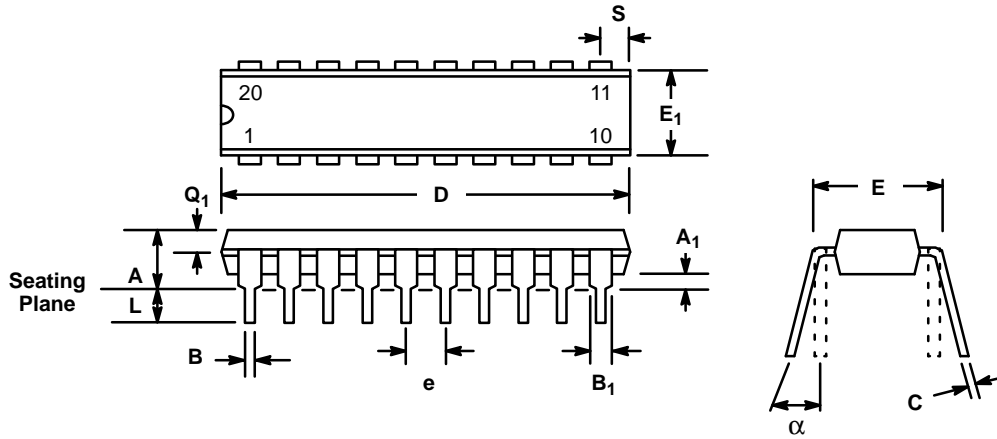
20 LEAD PLASTIC LEADED CHIP CARRIER (PLCC) P20



SYMBOL	INCHES		MILLIMETERS	
	MIN	MAX	MIN	MAX
A	0.165	0.180	4.19	4.57
A ₁	0.100	0.110	2.54	2.79
A ₂	0.148	0.156	3.76	3.96
B	0.013	0.021	0.330	0.533
C	0.008	0.012	0.203	0.305
D	0.385	0.395	9.78	10.03
D ₁ (1)	0.350	0.354	8.89	8.99
D ₂	0.290	0.330	7.37	8.38
D ₃	0.200 Ref		5.08 Ref.	
e ₁	0.050 BSC		1.27 BSC	

Note: (1) Dimension D₁ does not include mold protrusion.
Allowed mold protrusion is 0.254 mm/0.010 in.

**20 LEAD PLASTIC DUAL-IN-LINE
(300 MIL PDIP)
N20**



SYMBOL	INCHES		MILLIMETERS	
	MIN	MAX	MIN	MAX
A	—	0.200	—	5.08
A ₁	0.015	—	0.38	—
B	0.014	0.023	0.356	0.584
B ₁ (1)	0.038	0.065	0.965	1.65
C	0.008	0.015	0.203	0.381
D	0.945	1.060	24.0	26.92
E	0.295	0.325	7.49	8.26
E ₁	0.220	0.310	5.59	7.87
e	0.100 BSC		2.54 BSC	
L	0.115	0.150	2.92	3.81
α	0°	15°	0°	15°
Q ₁	0.055	0.070	1.40	1.78
S	0.040	0.080	1.02	2.03

Note: (1) The minimum limit for dimensions B₁ may be 0.023" (0.58 mm) for all four corner leads only.

Notes

Notes

NOTICE

EXAR Corporation reserves the right to make changes to the products contained in this publication in order to improve design, performance or reliability. EXAR Corporation assumes no responsibility for the use of any circuits described herein, conveys no license under any patent or other right, and makes no representation that the circuits are free of patent infringement. Charts and schedules contains here in are only for illustration purposes and may vary depending upon a user's specific application. While the information in this publication has been carefully checked; no responsibility, however, is assumed for inaccuracies.

EXAR Corporation does not recommend the use of any of its products in life support applications where the failure or malfunction of the product can reasonably be expected to cause failure of the life support system or to significantly affect its safety or effectiveness. Products are not authorized for use in such applications unless EXAR Corporation receives, in writing, assurances to its satisfaction that: (a) the risk of injury or damage has been minimized; (b) the user assumes all such risks; (c) potential liability of EXAR Corporation is adequately protected under the circumstances.

Copyright EXAR Corporation
Datasheet April 1995

Reproduction, in part or whole, without the prior written consent of EXAR Corporation is prohibited.