



VT82C586A

PIPC

PCI Integrated Peripheral Controller

**PC97 Compliant PCI-to-ISA Bridge
with Plug and Play, USB Controller,
Master Mode PCI-IDE Controller with UltraDMA-33
Keyboard Controller, and Real Time Clock**

Preliminary Revision 0.1
October 13, 1996

VIA TECHNOLOGIES, INC.

Copyright Notice:

Copyright © 1996 VIA Technologies Incorporated. Printed in the United States. ALL RIGHTS RESERVED.

No part of this document may be reproduced, transmitted, transcribed, stored in a retrieval system, or translated into any language, in any form or by any means, electronic, mechanical, magnetic, optical, chemical, manual or otherwise without the prior written permission of VIA Technologies Incorporated.

The VT82C586 and VT82C586A may only be used to identify products of VIA Technologies.

PS/2™ is a registered trademark of International Business Machines Corp.

Pentium-Pro™, GTL+™ and APIC™ are registered trademarks of Intel Corp.

Windows 95™ and Plug and Play™ are registered trademarks of Microsoft Corp.

PCI™ is a registered trademark of the PCI Special Interest Group.

VESA™ is a trademark of the Video Electronics Standards Association.

All trademarks are the properties of their respective owners.

Disclaimer Notice:

No license is granted, implied or otherwise, under any patent or patent rights of VIA Technologies. VIA Technologies makes no warranties, implied or otherwise, in regard to this document and to the products described in this document. The information provided by this document is believed to be accurate and reliable to the publication date of this document. However, VIA Technologies assumes no responsibility for any errors in this document. Furthermore, VIA Technologies assumes no responsibility for the use or misuse of the information in this document and for any patent infringements that may arise from the use of this document. The information and product specifications within this document are subject to change at any time, without notice and without obligation to notify any person of such change.

Offices:

USA Office:

5020 Brandin Court

Fremont, CA 94538

USA

Tel: (510) 683-3300

Fax: (510) 683-3301

Taipei Office:

8th Floor, No. 533

Chung-Cheng Road, Hsin-Tien

Taipei, Taiwan ROC

Tel: (886-2) 218-5452

Fax: (886-2) 218-5453

Online Services:

Home Page: <http://www.via.com.tw/>

FTP Server: <ftp.via.com.tw>

BBS: 886-2-2185208

REVISION HISTORY

Document Release	Date	Revision	Initials
Preliminary Release	10/13/96	Initial release	

TABLE OF CONTENTS

REVISION HISTORY	I
TABLE OF CONTENTS	II
LIST OF FIGURES	III
LIST OF TABLES	IV
OVERVIEW	3
PINOUTS	4
REGISTERS	10
REGISTER OVERVIEW	10
CONFIGURATION SPACE I/O	15
REGISTER DESCRIPTIONS	16
VIA-Specific I/O Ports	16
Legacy I/O Ports	16
Keyboard Controller Registers	17
DMA Controller I/O Registers	19
Interrupt Controller Registers	20
Timer / Counter Registers	21
CMOS / RTC Registers.....	21
PCI to ISA Bridge Registers (Function 0)	22
PCI Configuration Space Header	22
ISA Bus Control.....	22
Plug and Play Control	25
Power Management.....	26
Strap Options	28
Enhanced IDE Controller Registers (Function 1)	29
PCI Configuration Space Header	29
IDE-Controller-Specific Configuration Registers	31
IDE I/O Registers	33
Universal Serial Bus Controller Registers (Function 2)	34
PCI Configuration Space Header	34
USB-Specific Configuration Registers.....	35
USB I/O Registers.....	35
ELECTRICAL SPECIFICATIONS	36
ABSOLUTE MAXIMUM RATINGS	36
DC CHARACTERISTICS	36
PACKAGE MECHANICAL SPECIFICATIONS	37

LIST OF FIGURES

FIGURE 1. PIN DIAGRAM.....	4
FIGURE 2. STRAP OPTION CIRCUIT.....	28
FIGURE 3. MECHANICAL SPECIFICATIONS - 208-PIN PLASTIC FLAT PACKAGE.....	37

LIST OF TABLES

TABLE 1. PIN DESCRIPTIONS.....	5
TABLE 2. SYSTEM I/O MAP	10
TABLE 3. REGISTERS.....	10
TABLE 4. KEYBOARD CONTROLLER COMMAND CODES	18

VT82C586A PIPC PCI INTEGRATED PERIPHERAL CONTROLLER

PC97 COMPLIANT PCI-TO-ISA BRIDGE WITH PLUG AND PLAY, USB CONTROLLER, MASTER MODE IDE CONTROLLER WITH ULTRADMA-33, KEYBOARD CONTROLLER AND REAL TIME CLOCK

- **PC97 Compliant PCI to ISA Bridge**

- Integrated ISA Bus Controller with integrated DMA, timer, and interrupt controller
- Integrated keyboard controller with PS2 mouse support
- Integrated DS12885 style real time clock with extended 128 byte CMOS RAM
- Integrated USB controller with root hub and two function ports
- Integrated master mode enhanced IDE controller with enhanced PCI bus commands
- PCI-2.1 compliant with delay transaction
- Four double-word line buffer between PCI and ISA bus
- Supports type F DMA transfers
- Fast reset and Gate A20 operation
- Edge trigger or level sensitive interrupt
- Flash EPROM, 2MB EPROM and combined BIOS support
- Programmable ISA bus clock

- **Inter-operable with Intel and other Host-to-PCI Bridges**

- Combine with VT82C595 for a complete Pentium / PCI / ISA system (Apollo VP2)
- Combine with VT82C685/687 for a complete Pentium-Pro /PCI / ISA system (Apollo P6)
- Inter-operable with other Intel or non-Intel Host-to-PCI bridges for a complete PC97 compliant PCI/ISA system

- **Enhanced Master Mode PCI IDE Controller with Extension to UltraDMA-33**

- Dual channel master mode PCI supporting four Enhanced IDE devices
- Transfer rate up to 22MB/sec to cover PIO mode 4 and multi-word DMA mode 2 drives and beyond
- Extension to UltraDMA-33 / ATA-33 interface for up to 33MB/sec transfer rate
- Sixteen levels (doublewords) of prefetch and write buffers
- Interlaced commands between two channels
- Bus master programming interface for SFF-8038i rev.1.0 and Windows-95 compliant
- Full scatter and gather capability
- Support ATAPI compliant devices
- Support PCI native and ATA compatibility modes
- Complete software driver support

- **Universal Serial Bus Controller**

- USB v.1.0 and Intel Universal HCI v.1.1 compatible
- Eighteen level (doublewords) data FIFO with full scatter and gather capability
- Root hub and two function ports with integrated physical layer transceivers
- Legacy keyboard and PS/2 mouse support

- **Sophisticated Power Management**
 - Normal, doze, sleep, suspend and conserve modes
 - System event monitoring with two event classes
 - One idle timer, one peripheral timer and one general purpose timer
 - More than ten general purpose input and output ports
 - Seven external event input ports with programmable SMI condition
 - Complete leakage control when external component is in power off state
 - Primary and secondary interrupt differentiation for individual channels
 - Clock stretching, clock throttling and clock stop control
 - Multiple internal and external SMI sources for flexible power management models
 - APM 1.2 compliant
 - Pin-compatible upgrade to VT82C586B for OnNow / ACPI (Advanced Configuration and Power Interface) power-management support, 256-byte extended CMOS, Distributed DMA, and I²C capabilities
- **Plug and Play Controller**
 - PCI interrupts steerable to any interrupt channel
 - Dual interrupt and DMA channel controllers for on-board plug and play devices
 - Microsoft Windows 95™ and plug and play BIOS compliant
- **Built-in Nand-tree pin scan test capability**
- **0.5um mixed voltage, high speed and low power CMOS process**
- **Single chip 208 pin PQFP**

OVERVIEW

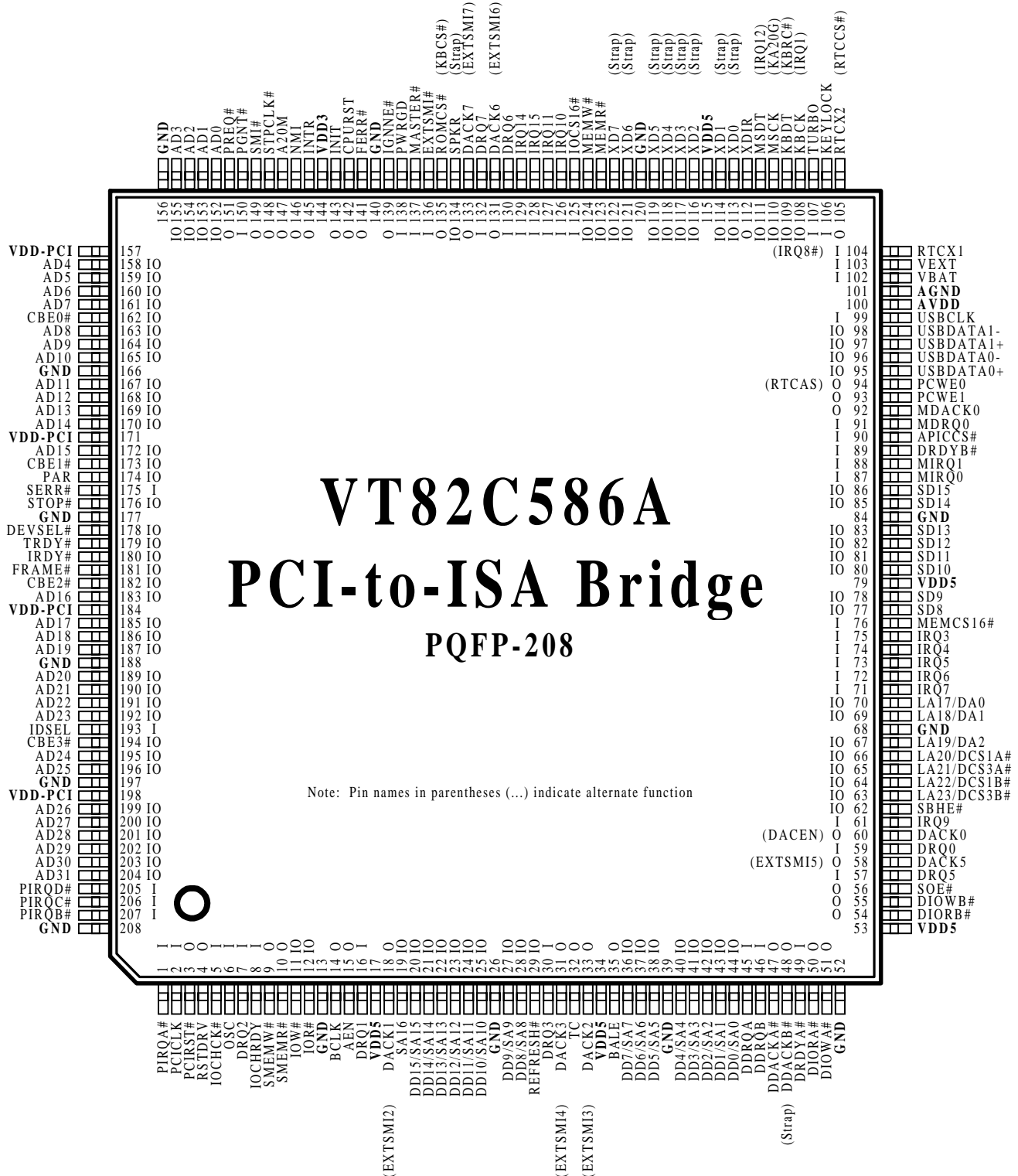
The VT82C586A PIPC (PCI Integrated Peripheral Controller) is a high integration, high performance and high compatibility device that supports Intel and non-Intel based processor to PCI bus bridge to make a complete Microsoft PC97 compliant PCI/ISA system. In addition to complete ISA extension bus functionality, the VT82C586A includes standard intelligent peripheral controllers:

- a) Master mode enhanced IDE controller with dual channel DMA engine and interlaced dual channel commands. Dedicated FIFO coupled with scatter and gather master mode operation allows high performance transfers between PCI and IDE devices. In addition to standard PIO and DMA mode operation, the VT82C586A also supports the emerging UltraDMA-33 standard to allow reliable data transfer rates up to 33MB/sec throughput. The IDE controller is SFF-8038i v1.0 and Microsoft Windows-95 compliant.
- b) Universal Serial Bus controller that is USB v1.0 and Universal HCI v1.1 compliant. The VT82C586A includes the root hub with two function ports with integrated physical layer transceivers. The USB controller allows hot plug and play and isochronous peripherals to be inserted into the system with universal driver support. The controller also implements legacy keyboard and mouse support so that legacy software can run transparently in a non-USB-aware operating system environment.
- c) Keyboard controller with PS2 mouse support.
- d) Real Time Clock with 128 byte extended CMOS. In addition to the standard ISA RTC functionality, the integrated RTC also includes the date alarm and other enhancements for compatibility with the emerging ACPI standard.
- e) Notebook-class power management functionality including event monitoring, CPU clock throttling (Intel processor protocol), power and leakage control, hardware- and software-based event handling, general purpose IO, chip select and external SMI. The power management function supports legacy APM v1.2.
- f) Plug and Play controller that allows complete steerability of all PCI interrupts to any interrupt channel. Two additional interrupt and DMA channels are provided to allow plug and play and reconfigurability of on-board peripherals for Windows 95 compliance.

The VT82C586A also enhances the functionality of the standard ISA peripherals. The integrated interrupt controller supports both edge and level triggered interrupts channel by channel. The integrated DMA controller supports type F DMA in addition to standard ISA DMA modes. Compliant with the PCI-2.1 specification, the VT82C586A supports delayed transactions so that slower ISA peripherals do not block the traffic of the PCI bus. Special circuitry is built in to allow concurrent operation without causing dead lock even in a PCI-to-PCI bridge environment. The chip also includes four levels (doublewords) of line buffers from the PCI bus to the ISA bus to further enhance overall system performance.

PINOUTS

Figure 1. Pin Diagram



Downloaded from Elcodis.com electronic components distributor

Table 1. Pin Descriptions

Signal Name	Pin No.	I/O	Signal Description
Reset and Clock			
PWRGD	138	I	Power Good. Connected to the POWERGOOD signal on the Power Supply.
PCIRST#	3	O	PCI Reset. An active low reset signal for the PCI bus. The VT82C586A will generate PCIRST# during power-up or from the control register.
RSTDRV	4	O	Reset Drive. RSTDRV is the reset signal to the ISA bus.
BCLK	14	O	Bus Clock. ISA bus clock.
OSC	6	I	Oscillator. OSC is the 14.31818 MHz clock signal. It is used by the internal 8254.
CPU Interface			
CPURST	142	O	CPU Reset. The VT82C586A asserts CPURST to reset the CPU during power-up.
INTR	145	O	CPU Interrupt. INTR is driven by the VT82C586A to signal the CPU that an interrupt request is pending and needs service.
NMI	146	O	Non-Maskable Interrupt. NMI is used to force a non-maskable interrupt to the CPU. The VT82C586A generates an NMI when either SERR# or IOCHK# is asserted.
INIT	143	O	Initialization. The VT82C586A asserts INIT if it detects a shut-down special cycle on the PCI bus or if a soft reset is initiated by the register
STPCLK#	148	O	Stop Clock. STPCLK# is asserted by the VT82C586A to the CPU in response to different Power-Management events.
SMI#	149	O	System Management Interrupt. SMI# is asserted by the VT82C586A to the CPU in response to different Power-Management events.
FERR#	141	O	Numerical Coprocessor Error. This signal is tied to the coprocessor error signal on the CPU.
IGENN#	139	O	Ignore Error. This pin is connected to the "ignore error" pin on the CPU.
PCI Bus Interface			
PCLK	2	I	PCI Clock. PCLK provides timing for all transactions on the PCI Bus.
FRAME#	181	B	Frame. Assertion indicates the address phase of a PCI transfer. Negation indicates that one more data transfer is desired by the cycle initiator.
AD[31:0]	204-199, 196-195, 192-189, 187-185, 183, 172, 170-167, 165-163, 161-158, 155-152	B	Address/Data Bus. The standard PCI address and data lines. The address is driven with FRAME# assertion and data is driven or received in following cycles.
C/BE[3:0]#	194, 182, 173, 162	B	Command/Byte Enable. The command is driven with FRAME# assertion. Byte enables corresponding to supplied or requested data are driven on following clocks.
IRDY#	180	B	Initiator Ready. Asserted when the initiator is ready for data transfer.
TRDY#	179	B	Target Ready. Asserted when the target is ready for data transfer.
STOP#	176	B	Stop. Asserted by the target to request the master to stop the current transaction.
DEVSEL#	178	B	Device Select. VT82C586A asserts this signal to claim PCI transactions through positive or subtractive decoding.
PAR	174	B	Parity. A single parity bit is provided over AD[31:0] and C/BE[3:0]#.
SERR#	175	I	System Error. SERR# can be pulsed active by any PCI device that detects a system error condition. Upon sampling SERR# active, the VT82C586A can be programmed to generate an NMI to the CPU.
IDSEL	193	I	Initialization Device Select. IDSEL is used as a chip select during configuration read and write cycles.
PIRQA-D#	1, 207-205	I	PCI Interrupt Request.
PREQ#	151	O	PCI Request. This signal goes to the VT82C595. It is the VT82C586A's request for the PCI bus.

PGNT#	150	I	PCI Grant. This signal is driven by the VT82C595 to grant PCI access to the VT82C586A.
ISA Bus Control			
SA[15:0] / DD[15:0]	20-25, 27-28, 36-38, 40-44	B	System Address Bus/IDE Data Bus
SA16	19	B	System Address Bus
LA23/DCS3B#, LA22/DCS1B#, LA21/DCS3A#, LA20/DCS1A#, LA[19:17] / DA[2:0]	63-67, 69-70	B	Multifunction Pins ISA Bus Cycles: Unlatched Address: The LA[23:17] address lines are bi-directional. These address lines allow accesses to physical memory on the ISA bus up to 16MBytes. PCI IDE Cycles: Chip Select: DCS1A# is for the ATA command register block and corresponds to CS1FX# on the primary IDE connector. DCS3A# is for the ATA command register block and corresponds to CS3FX# on the primary IDE connector. DCS1B# is for the ATA command register block and corresponds to CS17X# on the primary IDE connector. DCS3B# is for the ATA command register block and corresponds to CS37X# on the primary IDE connector. Disk Address: DA[2:0] are used to indicate which byte in either the ATA command block or control block is being accessed.
SD[15:8]	86-85, 83-80, 78-77	B	System Data. SD[15:8] provide the high order byte data path for devices residing on the ISA bus.
SBHE#	62	B	System Byte High Enable. SBHE# indicates, when asserted, that a byte is being transferred on the upper byte (SD[15:8]) of the data bus. SBHE# is negated during refresh cycles.
IOR#	12	B	I/O Read. IOR# is the command to an ISA I/O slave device that the slave may drive data on to the ISA data bus.
IOW#	11	B	I/O Write. IOW# is the command to an ISA I/O slave device that the slave may latch data from the ISA data bus.
MEMR#	123	B	Memory Read. MEMR# is the command to a memory slave that it may drive data onto the ISA data bus.
MEMW#	124	B	Memory Write. MEMW# is the command to a memory slave that it may latch data from the ISA data bus.
SMEMR#	10	O	Standard Memory Read. SMEMR# is the command to a memory slave, under 1MB, which indicates that it may drive data onto the ISA data bus
SMEMW#	9	O	Standard Memory Write. SMEMW# is the command to a memory slave, under 1MB, which indicates that it may latch data from the ISA data bus.
BALE	35	O	Bus Address Latch Enable. BALE is an active high signal asserted by the VT82C586A to indicate that the address (SA[19:0], LA[23:17] and the SBHE# signal) is valid
IOCS16#	125	I	16-Bit I/O Chip Select. This signal is driven by I/O devices on the ISA Bus to indicate that they support 16-bit I/O bus cycles.
MEMCS16#	76	I	Memory Chip Select 16. ISA slaves that are 16-bit memory devices drive this line low to indicate they support 16-bit memory bus cycles.
MASTER# / IRQ12	137	I	Multi-function Pin 1. Rx46h[2]=1 and Rx44h[0]=0: IRQ12 2. Otherwise: MASTER#. ISA master cycle indicator
IOCHCK#	5	I	I/O Channel Check. When this signal is asserted, it indicates that a parity or an uncorrectable error has occurred for a device or memory on the ISA Bus.
IOCHRDY	8	I	I/O Channel Ready. Devices on the ISA Bus negate IOCHRDY to indicate that additional time (wait states) is required to complete the cycle.
REFRESH#	29	B	Refresh. As an output REFRESH# indicates when a refresh cycle is in progress. As an input REFRESH# is driven by 16-bit ISA Bus masters to indicate refresh cycle.
AEN	15	O	Address Enable. AEN is asserted during DMA cycles to prevent I/O slaves from misinterpreting DMA cycles as valid I/O cycles.

TC	32	O	Terminal Count. The VT82C586A asserts TC to DMA slaves as a terminal count indicator.
IRQ15, 14, [11:9], [7:3]	128-129, 127-126, 61, 71-75	I	Interrupt Request. The IRQ signals provide both system board components and ISA Bus I/O devices with a mechanism for asynchronously interrupting the CPU.
DRQ[7:5], [3:0]	132, 130, 57, 30, 7, 16, 59	I	DMA Request. The DREQ lines are used to request DMA services from the VT82C586A's DMA controller.
DACK[7:5], [3:0]/ EXTSMI7-2, DACEN	133, 131, 58, 31, 33, 18, 60	O	Multifunction Pins Pin 135 (ROMCS#/KBCS#) strapped 1 at power up: Normal Operation: Acknowledge. The DACK output lines indicate a request for DMA service has been granted. Power-up: Strap Inputs. Strapped inputs stored in configuration register 96h. Pin 135 (ROMCS#/KBCS#) strapped 0 at power up: Pin 60: DACEN. To enable external 137 for decoding DACKs from XD0-2. Other pins: External SMI or General Purpose Inputs.
SPKR	134	B	Multifunction Pin Normal Operation: Speaker Drive. The SPKR signal is the output of counter 2. Power-up Strapping: 0/1 = Fixed/flexible IDE I/O base
Enhanced IDE Interface			
DIORA#	50	O	Disk I/O Read A. Primary IDE channel drive read strobe.
DIOWA#	51	O	Disk I/O Write A. Primary IDE channel drive write strobe.
DIORB#	54	O	Disk I/O Read B. Secondary IDE channel drive read strobe.
DIOWB#	55	O	Disk I/O Write B. Secondary IDE channel drive write strobe.
DRDYA#	49	I	I/O Channel Ready A. IDE drive ready indicator.
DRDYB#	89	I	I/O Channel Ready B. IDE drive ready indicator from the second channel (required for UltraDMA/33 IDE interface).
SOE#	56	O	System Address Transceiver Output Enable. This signal controls the output enables of the 245 transceivers that interface the DD[15:0] signals to SA[15:0]. The transceiver direction controls are driven by MASTER# with DD[15-0] connected to the "A" side of the transceivers and SA[15-0] connected to the "B" side.
DDRQA	45	I	Disk DMA Request A. Primary IDE channel DMA request.
DDRQB	46	I	Disk DMA Request B. Secondary IDE channel DMA request.
DDACKA#	47	O	Disk DMA Acknowledge A. Primary IDE channel DMA acknowledge.
DDACKB#	48	O	Disk DMA Acknowledge B. Secondary IDE channel DMA acknowledge. This pin is used as a power-up strap option: 0/1 = Fixed/relocatable IDE I/O address
Universal Serial Bus Interface			
USBDATA0+	95	B	USB Port 0 Data +
USBDATA0-	96	B	USB Port 0 Data -
USBDATA1+	97	B	USB Port 1 Data +
USBDATA1-	98	B	USB Port 1 Data -
USBCLK	99	I	USB Clock. Clock input for Universal serial bus interface
Keyboard Interface			
KBCK / KA20G	108	B	Multifunction Pin. Function depends on enable/disable of internal KBC. Internal KBC enabled: Keyboard Clock. Clock to keyboard interface. Internal KBC disabled: Gate A20: Gate A20 output from external KBC
KBDT / KBRC#	109	B	Multifunction Pin. Function depends on enable/disable of internal KBC. Internal KBC enabled: Keyboard Data. Data to keyboard interface. Internal KBC disabled: Keyboard Reset: Reset input from external KBC.
MSCK / IRQ1	110	B	Multifunction Pin. Function depends on enable/disable of internal KBC. PS/2 mouse enabled: Mouse Clock. Clock to PS/2 mouse interface. PS/2 mouse disable and internal KBC disabled: Interrupt Request 1. IRQ 1 input from external KBC.

MSDT / IRQ12	111	B	Multifunction Pin. Function depends on enable/disable of internal KBC. PS/2 mouse enabled: Mouse Data. Data to PS/2 mouse interface. PS/2 mouse disabled: Interrupt Request 12. IRQ 12 input from external KBC
A20M	147	O	A20 Mask. Direct connect A20 mask on CPU.
KEYLOCK	106	I	Keyboard Lock. Keyboard lock signal for internal keyboard controller.
TURBO	107	I	Turbo. Turbo mode indicator input.
Internal Real Time Clock			
RTCX1 / IRQ8#	104	I	Multifunction Pin Internal RTC enabled: RTC Crystal Input: 32.768Khz crystal or oscillator input. Internal RTC disabled: Interrupt Request 8: IRQ8 input from external KBC
RTCX2/ RTCCS#	105	O	Multifunction Pin Internal RTC enabled: RTC Crystal Output: 32.768Khz crystal output Internal RTC disabled: External RTC Chip Select
VBAT	102	I	RTC Battery. Battery input for internal RTC
VEXT	103	I	External Power
On Board Plug and Play			
MDRQ0	91	I	Plug and Play DMA Request. DMA request input from non-PNP device to support the PnP function.
MDACK0	92	O	Plug and Play DMA Acknowledge. DMA acknowledge output from non-PNP device to support the PnP function.
MIRQ[1:0]	88, 87	I	Plug and Play Interrupt Request. Interrupt request inputs from non-PNP device to support the PnP function.
XD Interface			
XD[7:0]	122-121, 119-116, 114-113	B	X-bus Data Bus. These pins are used as strap options during power-up: XD0: 0/1 - Disable/enable internal KBC XD1: 0/1 - Disable/enable internal PS/2 Mouse XD2: 0/1 - Disable/enable internal RTC XD3: 0/1 - PISA/SIO XD4~XD7: RP13~RP16 for internal KBC
XDIR	112	O	X-Bus Data Direction. XDIR is tied directly to the direction control of a 74F245 transceiver that buffers the X-Bus data and ISA-Bus data (the output enable of the transceiver should be grounded). SD0-7 connect to the "A" side of the transceiver and XD0-7 connect to the "B" side. XDIR high indicates that SD0-7 drives XD0-7.
RTCAS/ PCWE0	94	O	Multifunction Pin Internal RTC disabled: Real Time Clock Address Strobe: RTCAS is connected directly to the address strobe input of the external RTC. Internal RTC enabled: General Purpose Write Enable 0: LATCH enable signal to an external 373 for general purpose outputs (SD15-8).
ROMCS# / KBCS#	135	O	Multifunction Pin. ROM Chip Select / Keyboard Controller Chip Select. Normal Operation: ISA memory cycle: ROMCS#. Chip Select to the BIOS ROM. ISA I/O cycle: KBCS#. Chip Select to the external keyboard controller. Power-up: 0: DACKn by external 137, DACK0 as DACEN , DACK1-3,5-7 as EXTSMI2-7 1: DACKn as DACKn
PCWE1	93	O	General Purpose Write Enable 1. LATCH enable signal to an external 373 for general purpose outputs (SD15-8).
Miscellaneous Control			
EXTSMI#	136	I	External SMI. External input to trigger SMI output to the CPU.
APICCS#	90	I	External IOAPIC Chip Select.

Power and Ground			
VDD5	17, 34, 53, 79, 115	I	Power Supply. 4.5 to 5.5V.
VDD3	144	I	Power Supply. For the CPU Voltage.
VDD_PCI	157, 171, 184, 198	I	PCI Voltage. 3.3 or 5V
AVDD	100	I	USB Differential Output Power Source
AGND	101	I	USB Differential Output Ground
GND	13, 26, 39, 52, 68, 84, 120, 140, 156, 166, 177, 188, 197, 208	I	Ground

REGISTERS

Table 3. Registers

Register Overview

The following tables summarize the configuration and I/O registers of the VT82C586A. These tables also document the power-on default value (“Default”) and access type (“Acc”) for each register. Access type definitions used are RW (Read/Write), RO (Read/Only), “—” for reserved / used (essentially the same as RO), and RWC (or just WC) (Read / Write 1’s to Clear individual bits). Registers indicated as RW may have some read/only bits that always read back a fixed value (usually 0 if unused); registers designated as RWC or WC may have some read-only or read write bits (see individual register descriptions for details).

Detailed register descriptions are provided in the following section of this document. All offset and default values are shown in hexadecimal unless otherwise indicated

Table 2. System I/O Map

Port	Function	Actual Port Decoding
00-1F	Master DMA Controller	0000 0000 000x nnnn
20-3F	Master Interrupt Controller	0000 0000 001x xxxn
40-5F	Timer / Counter	0000 0000 010x xxnn
60-6F	Keyboard Controller	0000 0000 0110 xnxx
(60h)	KBC Data	0000 0000 0110 x0x0
(61h)	Misc Functions & Spkr Ctrl	0000 0000 0110 xxx1
(64h)	KBC Command / Status	0000 0000 0110 x1x0
70-77	RTC/CMOS/NMI-Disable	0000 0000 0111 0nnn
78-7F	-available for system use-	0000 0000 0111 1xxx
80	-reserved- (debug port)	0000 0000 1000 0000
81-8F	DMA Page Registers	0000 0000 1000 nnnn
90-91	-available for system use-	0000 0000 1001 000x
92	System Control	0000 0000 1001 0010
93-9F	-available for system use-	0000 0000 1001 nnnn
A0-BF	Slave Interrupt Controller	0000 0000 101x xxxn
A8-A9	VIA GPIO Ports	0000 0000 1010 100n
C0-DF	Slave DMA Controller	0000 0000 110n nnnx
E0-FF	-available for system use-	0000 0000 111x xxxx
100-CF7	-available for system use-	
CF8-CFB	PCI Configuration Address	0000 1100 1111 10xx
CFC-CFF	PCI Configuration Data	0000 1100 1111 11xx
D00-FFFF	-available for system use-	

Legacy I/O Registers

Port	Master DMA Controller Registers	Default	Acc
00	Channel 0 Base & Current Address		RW
01	Channel 0 Base & Current Count		RW
02	Channel 1 Base & Current Address		RW
03	Channel 1 Base & Current Count		RW
04	Channel 2 Base & Current Address		RW
05	Channel 2 Base & Current Count		RW
06	Channel 3 Base & Current Address		RW
07	Channel 3 Base & Current Count		RW
08	Status / Command		RW
09	Write Request		WO
0A	Write Single Mask		WO
0B	Write Mode		WO
0C	Clear Byte Pointer FF		WO
0D	Master Clear		WO
0E	Clear Mask		WO
0F	Read / Write Mask		RW

Port	Master Interrupt Controller Regs	Default	Acc
20	Master Interrupt Control	—	*
21	Master Interrupt Mask	—	*
20	Master Interrupt Control Shadow	—	RW
21	Master Interrupt Mask Shadow	—	RW

* RW if shadow registers are disabled

Port	Timer/Counter Registers	Default	Acc
40	Timer / Counter 0 Count		RW
41	Timer / Counter 1 Count		RW
42	Timer / Counter 2 Count		RW
43	Timer / Counter Control		WO

Port	Keyboard Controller Registers	Default	Acc
60	Keyboard Controller Data		RW
61	Misc Functions & Speaker Control		RW
64	Keyboard Ctrlr Command / Status		RW

Port	CMOS / RTC / NMI Registers	Default	Acc
70	CMOS Memory Address & NMI Disa		WO
71	CMOS Memory Data (128 bytes)		RW

NMI Disable is port 70h (CMOS Memory Address) bit-7

RTC control occurs via specific CMOS data locations (0-0Dh)

Port	DMA Page Registers	Default	Acc
87	DMA Page - DMA Channel 0		RW
83	DMA Page - DMA Channel 1		RW
81	DMA Page - DMA Channel 2		RW
82	DMA Page - DMA Channel 3		RW
8F	DMA Page - DMA Channel 4		RW
8B	DMA Page - DMA Channel 5		RW
89	DMA Page - DMA Channel 6		RW
8A	DMA Page - DMA Channel 7		RW

Port	System Control Registers	Default	Acc
92	System Control		RW

Port	Slave Interrupt Controller Regs	Default	Acc
A0	Slave Interrupt Control	—	*
A1	Slave Interrupt Mask	—	*
A0	Slave Interrupt Control Shadow	—	RW
A1	Slave Interrupt Mask Shadow	—	RW

* RW accessible if shadow registers are disabled

Port	General Purpose Output Registers	Default	Acc
A8	VIA General Purpose Output Index	—	RW
A9	VIA General Purpose Output Data		
	Offset C8 - GP Output Port 0	—	RW
	Offset C9 - GP Output Port 1	—	RW

Port	Slave DMA Controller Registers	Default	Acc
C0	Channel 0 Base & Current Address		RW
C2	Channel 0 Base & Current Count		RW
C4	Channel 1 Base & Current Address		RW
C6	Channel 1 Base & Current Count		RW
C8	Channel 2 Base & Current Address		RW
CA	Channel 2 Base & Current Count		RW
CC	Channel 3 Base & Current Address		RW
CE	Channel 3 Base & Current Count		RW
D0	Status / Command		RW
D2	Write Request		WO
D4	Write Single Mask		WO
D6	Write Mode		WO
D8	Clear Byte Pointer FF		WO
DA	Master Clear		WO
DC	Clear Mask		WO
DE	Read / Write Mask		RW

PCI Function 0 Registers - PCI-to-ISA Bridge
Configuration Space PCI-to-ISA Bridge Header Registers

Offset	PCI Configuration Space Header	Default	Acc
1-0	Vendor ID	1106	RO
3-2	Device ID	0586	RO
5-4	Command	000F	RW
7-6	Status	0200	WC
8	Revision ID	nn	RO
9	Programming Interface	00	RO
A	Sub Class Code	01	RO
B	Base Class Code	06	RO
C	-reserved- (cache line size)	00	—
D	-reserved- (latency timer)	00	—
E	Header Type	80	RO
F	Built In Self Test (BIST)	00	RO
10-27	-reserved- (base address registers)	00	—
28-2F	-reserved- (unassigned)	00	—
30-33	-reserved- (expansion ROM base)	00	—
34-3B	-reserved- (unassigned)	00	—
3C	-reserved- (interrupt line)	00	—
3D	-reserved- (interrupt pin)	00	—
3E	-reserved- (min gnt)	00	—
3F	-reserved- (max lat)	00	—

Configuration Space PCI-to-ISA Bridge-Specific Registers

Offset	ISA Bus Control	Default	Acc
40	ISA Bus Control	00	RW
41	Refresh and Port 92	00	RW
42	ISA Clock Control	00	RW
43	ROM Decode Control	00	RW
44	Keyboard Controller Control	00	RW
45	Type F DMA Control	00	RW
46	Miscellaneous Control 1	00	RW
47	Miscellaneous Control 2	00	RW
48	Miscellaneous Control 3	01	RW
49	-reserved-	00	—
4A	IDE Interrupt Routing	04	RW
4B	-reserved-	00	—
4C	DMA / Master Mem Access Control 1	00	RW
4D	DMA / Master Mem Access Control 2	00	RW
4F-4E	DMA / Master Mem Access Control 3	0300	RW

Offset	Plug and Play Control	Default	Acc
50	PNP DRQ Routing	24	RW
51-53	-reserved-	00	—
54	PCI IRQ Edge / Level Selection	00	RW
55	PNP IRQ Routing 1	00	RW
56	PNP IRQ Routing 2	00	RW
57	PNP IRQ Routing 3	00	RW

Offset	Power Management	Default	Acc
80	Primary Activity Detect Enable	00	RW
81	-reserved-	00	—
82	Primary Activity Detect Status	00	WC
83	-reserved-	00	—
85-84	SMI Event Enable	0000	RW
87-86	SMI Status	0000	WC
88	Timer Control 1	00	RW
89	Timer Control 2	00	RW
8A	Timer Control 3	00	RW
8B	GP Timer Reload Enable	00	RW
8C	Conserve Mode / Secondary Event	00	RW
8D	Miscellaneous Control	00	RW
8E	STPCLK# Duty Cycle	00	RW
90	ISA Interrupt 7-0 as Primary Event	00	RW
91	ISA Interrupt 15-8 as Primary Event	00	RW
92	ISA Interrupt 7-0 as Secondary Event	00	RW
93	ISA Interrupt 15-8 as Secondary	00	RW
94	External SMI Pin Status	00	RO
95	Power-Up Strap Option 1	†	RO
96	Power-Up Strap Option 2	†	RO
97-FF	-reserved-	00	—

† Power-up default value depends on external strapping

PCI Function 1 Registers - IDE Controller
Configuration Space IDE Header Registers

Offset	PCI Configuration Space Header	Default	Acc
1-0	Vendor ID	1106	RO
3-2	Device ID	0571	RO
5-4	Command	0080	RO
7-6	Status	0280	RW
8	Revision ID	nn	RO
9	Programming Interface	85	RW
A	Sub Class Code	01	RO
B	Base Class Code	01	RO
C	-reserved- (cache line size)	00	—
D	Latency Timer	00	RW
E	Header Type	00	RO
F	Built In Self Test (BIST)	00	RO
13-10	Base Address - Pri Data / Command	000001F0	RO
17-14	Base Address - Pri Control / Status	000003F4	RO
1B-18	Base Address - Sec Data / Command	00000170	RO
1F-1C	Base Address - Sec Control / Status	00000374	RO
23-20	Base Address - Bus Master Control	0000CC01	RW
24-2F	-reserved- (unassigned)	00	—
30-33	-reserved- (expan ROM base addr)	00	—
34-3B	-reserved- (unassigned)	00	—
3C	Interrupt Line	0E	RW
3D	Interrupt Pin	00	RO
3E	Minimum Grant	00	RO
3F	Maximum Latency	00	RO

Configuration Space IDE-Specific Registers

Offset	Configuration Space IDE Registers	Default	Acc
40	Chip Enable	08	RW
41	IDE Configuration	02	RW
42	-reserved- (do not program)	09	RW
43	FIFO Configuration	3A	RW
44	Miscellaneous Control 1	68	RW
45	Miscellaneous Control 2	00	RW
46	Miscellaneous Control 3	C0	RW
4B-48	Drive Timing Control	A8A8A8A8	RW
4C	Address Setup Time	FF	RW
4D	-reserved- (do not program)	00	RW
4E	Sec Non-1F0 Port Access Timing	FF	RW
4F	Pri Non-1F0 Port Access Timing	FF	RW
53-50	UltraDMA33 Extd Timing Control	03030303	RW
54-5F	-reserved-	00	—
61-60	Primary Sector Size	0200	RW
62-67	-reserved-	00	—
69-68	Secondary Sector Size	0200	RW
70-FF	-reserved-	00	—

I/O Registers - IDE Controller

These registers are compliant with the SFF 8038 v1.0 standard. Refer to that specification for additional information.

Offset	IDE I/O Registers	Default	Acc
0	Primary Channel Command	00	RW
1	-reserved-	00	—
2	Primary Channel Status	00	WC
3	-reserved-	00	—
4-7	Primary Channel PRD Table Addr	00	RW
8	Secondary Channel Command	00	RW
9	-reserved-	00	—
A	Secondary Channel Status	00	WC
B	-reserved-	00	—
C-F	Secondary Channel PRD Table Addr	00	RW

PCI Function 2 Registers - USB Controller
Configuration Space USB Header Registers

Offset	PCI Configuration Space Header	Default	Acc
1-0	Vendor ID	1106	RO
3-2	Device ID	3038	RO
5-4	Command	0000	RW
7-6	Status	0200	WC
8	Revision ID	nn	RO
9	Programming Interface	00	RO
A	Sub Class Code	03	RO
B	Base Class Code	0C	RO
C	Cache Line Size	00	RO
D	Latency Timer	16	RW
E	Header Type	00	RO
F	BIST	00	RO
10-1F	-reserved-	00	—
23-20	Base Address	00000301	RW
24-3B	-reserved-	00	—
3C	Interrupt Line	00	RW
3D	Interrupt Pin	04	RW
3E-3F	-reserved-	00	—

Configuration Space USB-Specific Registers

Offset	USB Control	Default	Acc
40	Miscellaneous Control 1	00	RW
41	Miscellaneous Control 2	00	RW
42-43	-reserved-	00	RO
44-45	-reserved- (test only, do not program)		RW
46-47	-reserved- (test)		RO
48-5F	-reserved-	00	—
60	Serial Bus Release Number	10	RO
61-BF	-reserved-	00	—
C1-C0	Legacy Support	2000	RW
C2-FF	-reserved-	00	—

I/O Registers - USB Controller

Offset	USB I/O Registers	Default	Acc
1-0	USB Command	0000	RW
3-2	USB Status	0000	WC
5-4	USB Interrupt Enable	0000	RW
7-6	Frame Number	0000	RW
B-8	Frame List Base Address	00000000	RW
C	Start Of Frame Modify	40	RW
11-10	Port 1 Status / Control	0080	WC
13-12	Port 2 Status / Control	0080	WC

Configuration Space I/O**Mechanism #1**

These ports respond only to double-word accesses. Byte or word accesses will be passed on unchanged.

Port CFB-CF8 - Configuration AddressRW**31 Configuration Space Enable**

- 0 Disableddefault
- 1 Convert configuration data port writes to configuration cycles on the PCI bus

30-24 Reserved always reads 0

23-16 PCI Bus Number

Used to choose a specific PCI bus in the system

15-11 Device Number

Used to choose a specific device in the system

10-8 Function Number

Used to choose a specific function if the selected device supports multiple functions

7-2 Register Number

Used to select a specific DWORD in the device's configuration space

1-0 Fixed always reads 0

Port CFF-CFC - Configuration DataRW

Refer to PCI Bus Specification Version 2.1 for further details on operation of the above configuration registers.

Register Descriptions

VIA-Specific I/O Ports

A8/A9 is a VIA-legacy I/O index/data pair. Chipset registers in earlier VIA chipsets were accessed using this mechanism. These registers are the only remaining functions accessed in this way (note: in future ACPI-capable versions of the 82C586A chip, access to these functions will be defined by ACPI so the A8/A9 mechanism will no longer be used).

These functions are accessed by writing the indicated offset (C8h or C9h) to I/O port A8h then writing the desired data to I/O port A9h.

Port A8/A9 Offset C8h - General Purpose Output Port 0

These bits are controlled by PCW0 for latching data in an external 373 latch. A 1-0-1 pulse is generated on PCW0 when this port is written and the contents of this register appear on the indicated bits of the ISA SD bus.

7-0 SD15-8

Port A8/A9 Offset C9h - General Purpose Output Port 1

These bits are controlled by PCW1 for latching data in an external 373 latch. A 1-0-1 pulse is generated on PCW1 when this port is written and the contents of this register appear on the indicated bits of the ISA SD bus.

7-0 SD15-8

Legacy I/O Ports

This group of registers includes the DMA Controllers, Interrupt Controllers, and Timer/Counters as well as a number of miscellaneous ports originally implemented using discrete logic on original PC/AT motherboards. All of the registers listed are integrated on-chip. These registers are implemented in a precise manner for backwards compatibility with previous generations of PC hardware. These registers are listed for information purposes only. Detailed descriptions of the actions and programming of these registers are included in numerous industry publications (duplication of that information here is beyond the scope of this document). All of these registers reside in I/O space.

Port 61 - Misc Functions & Speaker Control..... RW

- 7 Reserved** always reads 0
- 6 IOCHCK# Active**RO
This bit is set when the ISA bus IOCHCK# signal is asserted. Once set, this bit may be cleared by setting bit-3 of this register. Bit-3 should be cleared to enable recording of the next IOCHCK#. IOCHCK# generates NMI to the CPU if NMI is enabled.
- 5 Timer/Counter 2 Output**.....RO
This bit reflects the output of Timer/Counter 2 without any synchronization.
- 4 Refresh Detected**.....RO
This bit toggles on every rising edge of the ISA bus REFRESH# signal.
- 3 IOCHCK# Disable**.....RW
0 Enable IOCHCK# assertions default
1 Force IOCHCK# inactive and clear any "IOCHCK# Active" condition in bit-6
- 2 Reserved**RW, default=0
- 1 Speaker Enable**.....RW
0 Disable..... default
1 Enable Timer/Ctr 2 output to drive SPKR pin
- 0 Timer/Counter 2 Enable**.....RW
0 Disable..... default
1 Enable Timer/Counter 2

Port 92h - System Control..... RW

- 7-6 Hard Disk Activity LED Status**
0 Off default
1-3 On
- 5-4 Reserved** always reads 0
- 3 Power-On Password Bytes Inaccessible** .. default=0
- 2 Reserved** always reads 0
- 1 A20 Address Line Enable**
0 A20 disabled / forced 0 (real mode) default
1 A20 address line enabled
- 0 High Speed Reset**
0 Normal
1 Briefly pulse system reset to switch from protected mode to real mode

Keyboard Controller Registers

The keyboard controller handles the keyboard and mouse interfaces. Two ports are used: port 60 and port 64. Reads from port 64 return a status byte. Writes to port 64h are command codes (see command code list following the register descriptions). Input and output data is transferred via port 60.

A "Control" register is also available. It is accessible by writing commands 20h / 60h to the command port (port 64h); The control byte is written by first sending 60h to the command port, then sending the control byte value. The control register may be read by sending a command of 20h to port 64h, waiting for "Output Buffer Full" status = 1, then reading the control byte value from port 60h.

Traditional (non-integrated) keyboard controllers have an "Input Port" and an "Output Port" with specific pins dedicated to certain functions and other pins available for general purpose I/O. Specific commands are provided to set these pins high and low. All outputs are "open-collector" so to allow input on one of these pins, the output value for that pin would be set high (non-driving) and the desired input value read on the input port. These ports are defined as follows:

Bit	Input Port	Lo Code	Hi Code
0	P10 - Keyboard Data In	B0	B8
1	P11 - Mouse Data In	B1	B9
2	P12 - Turbo Pin (PS/2 mode only)	B2	BA
3	P13 - user-defined	B3	BB
4	P14 - user-defined	B6	BE
5	P15 - user-defined	B7	BF
6	P16 - user-defined	-	-
7	P17 - undefined	-	-

Bit	Output Port	Lo Code	Hi Code
0	P20 - SYSRST (1=execute reset)	-	-
1	P21 - GATEA20 (1=A20 enabled)	-	-
2	P22 - Mouse Data Out	B4	BC
3	P23 - Mouse Clock Out	B5	BD
4	P24 - Keyboard OBF Interrupt (IRQ1)	-	-
5	P25 - Mouse OBF Interrupt (IRQ 12)	-	-
6	P26 - Keyboard Clock Out	-	-
7	P27 - Keyboard Data Out	-	-

Bit	Test Port	Lo Code	Hi Code
0	T0 - Keyboard Clock In	-	-
1	T1 - Mouse Clock In	-	-

Note: Command code C0h transfers input port data to the output buffer. Command code D0h copies output port values to the output buffer. Command code E0h transfers test input port data to the output buffer.

Port 60 - Keyboard Controller Input Buffer WO

Only write to port 60h if port 64h bit-1 = 0 (1=full).

Port 60 - Keyboard Controller Output BufferRO

Only read from port 60h if port 64h bit-0 = 1 (0=empty).

Port 64 - Keyboard / Mouse Status RO

- 0 Keyboard Output Buffer Full**
 - 0 Keyboard Output Buffer Empty..... default
 - 1 Keyboard Output Buffer Full
- 1 Input Buffer Full**
 - 0 Input Buffer Empty..... default
 - 1 Input Buffer Full
- 2 System Flag**
 - 0 Power-On Default..... default
 - 1 Self Test Successful
- 3 Command / Data**
 - 0 Last write was data write default
 - 1 Last write was command write
- 4 Keylock Status**
 - 0 Locked
 - 1 Free
- 5 Mouse Output Buffer Full**
 - 0 Mouse output buffer empty..... default
 - 1 Mouse output buffer holds mouse data
- 6 General Receive / Transmit Timeout**
 - 0 No error default
 - 1 Error
- 7 Parity Error**
 - 0 No parity error (odd parity received)..... default
 - 1 Even parity occurred on last byte received from keyboard / mouse

KBC Control Register(R/W via Commands 20h/60h)

- 7 Reserved** always reads 0
- 6 PC Compatibility**
 - 0 Disable scan conversion
 - 1 Convert scan codes to PC format; convert 2-byte break sequences to 1-byte PC-compatible break codes default
- 5 Mouse Disable**
 - 0 Enable Mouse Interface default
 - 1 Disable Mouse Interface
- 4 Keyboard Disable**
 - 0 Enable Keyboard Interface default
 - 1 Disable Keyboard Interface
- 3 Keyboard Lock Disable**
 - 0 Enable Keyboard Inhibit Function..... default
 - 1 Disable Keyboard Inhibit Function
- 2 System Flag** default=0
This bit may be read back as status register bit-2
- 1 Mouse Interrupt Enable**
 - 0 Disable mouse interrupts default
 - 1 Generate interrupt on IRQ12 when mouse data comes in output bufer
- 0 Keyboard Interrupt Enable**
 - 0 Disable Keyboard Interrupts..... default
 - 1 Generate interrupt on IRQ1 when output buffer has been written.

Port 64 - Keyboard / Mouse Command..... WO

This port is used to send commands to the keyboard / mouse controller. The command codes recognized by the VT82C586A are listed in the table below.

Note: The VT82C586A Keyboard Controller is compatible with the VIA VT82C42 Industry-Standard Keyboard Controller except that due to its integrated nature, many of the input and output port pins are not available externally for use as general purpose I/O pins (even though P13-P16 are set on power-up as strapping options). In other words, many of the commands below are provided and “work”, but otherwise perform no useful function (e.g., commands that set P12-P17 high or low). Also note that setting P10-11, P22-23, P26-27, and T0-1 high or low directly serves no useful purpose, since these bits are used to implement the keyboard and mouse ports and are directly controlled by keyboard controller logic.

Table 4. Keyboard Controller Command Codes

<u>Code</u>	<u>Keyboard Command Code Description</u>	<u>Code</u>	<u>Keyboard Command Code Description</u>
20h	Read Control Byte (next byte is Control Byte)	C0h	Read input port (read P10-17 input data to the output buffer)
60h	Write Control Byte (next byte is Control Byte)	C1h	Poll input port low (read input data on P11-13 repeatably & put in bits 5-7 of status)
9xh	Write low nibble (bits 0-3) to P10-P13	C2h	Poll input port high (same except P15-17)
A1h	Output Keyboard Controller Version #	C8h	Unblock P22-23 (use before D1 to change active mode)
A4h	Test if Password is installed (always returns F1h to indicate not installed)	C9h	Reblock P22-23 (protection mechanism for D1)
A7h	Disable Mouse Interface	CAh	Read mode (output KBC mode info to port 60 output buffer (bit-0=0 if ISA, 1 if PS/2))
A8h	Enable Mouse Interface	D0h	Read Output Port (copy P10-17 output port values to port 60)
A9h	Mouse Interface Test (puts test results in port 60h) (value: 0=OK, 1=clk stuck low, 2=clk stuck high, 3=data stuck lo, 4=data stuck hi, FF=general error)	D1h	Write Output Port (data byte following is written to keyboard output port as if it came from keyboard)
AAh	KBC self test (returns 55h if OK, FCh if not)	D2h	Write Keyboard Output Buffer & clear status bit-5 (write following byte to keyboard)
ABh	Keyboard Interface Test (see A9h Mouse Test)	D3h	Write Mouse Output Buffer & set status bit-5 (write following byte to mouse; put value in mouse input buffer so it appears to have come from the mouse)
ADh	Disable Keyboard Interface	D4h	Write Mouse (write following byte to mouse)
AEh	Enable Keyboard Interface	E0h	Read test inputs (T0-1 read to bits 0-1 of resp byte)
AFh	Return Version #	Exh	Set P23-P21 per command bits 3-1
B0h	Set P10 low	Fxh	Pulse P23-P20 low for 6usec per command bits 3-0
B1h	Set P11 low		
B2h	Set P12 low		
B3h	Set P13 low		
B4h	Set P22 low		
B5h	Set P23 low		
B6h	Set P14 low		
B7h	Set P15 low		
B8h	Set P10 high		
B9h	Set P11 high		
BAh	Set P12 high		
BBh	Set P13 high		
BCh	Set P22 high		
BDh	Set P23 high		
BEh	Set P14 high		
BFh	Set P15 high		

All other codes not listed are undefined.

DMA Controller I/O Registers

Ports 00-0F - Master DMA Controller

Channels 0-3 of the Master DMA Controller control System DMA Channels 0-3. There are 16 Master DMA Controller registers:

<u>I/O Address Bits 15-0</u>	<u>Register Name</u>	
0000 0000 000x 0000	Ch 0 Base / Current Address	RW
0000 0000 000x 0001	Ch 0 Base / Current Count	RW
0000 0000 000x 0010	Ch 1 Base / Current Address	RW
0000 0000 000x 0011	Ch 1 Base / Current Count	RW
0000 0000 000x 0100	Ch 2 Base / Current Address	RW
0000 0000 000x 0101	Ch 2 Base / Current Count	RW
0000 0000 000x 0110	Ch 3 Base / Current Address	RW
0000 0000 000x 0111	Ch 3 Base / Current Count	RW
0000 0000 000x 1000	Status / Command	RW
0000 0000 000x 1001	Write Request	WO
0000 0000 000x 1010	Write Single Mask	WO
0000 0000 000x 1011	Write Mode	WO
0000 0000 000x 1100	Clear Byte Pointer F/F	WO
0000 0000 000x 1101	Master Clear	WO
0000 0000 000x 1110	Clear Mask	WO
0000 0000 000x 1111	R/W All Mask Bits	RW

Note that not all bits of the address are decoded.

The Master DMA Controller is compatible with the Intel 8237 DMA Controller chip. Detailed descriptions of 8237 DMA Controller operation can be obtained from the Intel Peripheral Components Data Book and numerous other industry publications.

Ports C0-DF - Slave DMA Controller

Channels 0-3 of the Slave DMA Controller control System DMA Channels 4-7. There are 16 Slave DMA Controller registers:

<u>I/O Address Bits 15-0</u>	<u>Register Name</u>	
0000 0000 1100 000x	Ch 0 Base / Current Address	RW
0000 0000 1100 001x	Ch 0 Base / Current Count	RW
0000 0000 1100 010x	Ch 1 Base / Current Address	RW
0000 0000 1100 011x	Ch 1 Base / Current Count	RW
0000 0000 1100 100x	Ch 2 Base / Current Address	RW
0000 0000 1100 101x	Ch 2 Base / Current Count	RW
0000 0000 1100 110x	Ch 3 Base / Current Address	RW
0000 0000 1100 111x	Ch 3 Base / Current Count	RW
0000 0000 1101 000x	Status / Command	RW
0000 0000 1101 001x	Write Request	WO
0000 0000 1101 010x	Write Single Mask	WO
0000 0000 1101 011x	Write Mode	WO
0000 0000 1101 100x	Clear Byte Pointer F/F	WO
0000 0000 1101 101x	Master Clear	WO
0000 0000 1101 110x	Clear Mask	WO
0000 0000 1101 111x	Read/Write All Mask Bits	WO

Note that not all bits of the address are decoded.

The Slave DMA Controller is compatible with the Intel 8237 DMA Controller chip. Detailed description of 8237 DMA controller operation can be obtained from the Intel Peripheral Components Data Book and numerous other industry publications.

Ports 80-8F - DMA Page Registers

There are eight DMA Page Registers, one for each DMA channel. These registers provide bits 16-23 of the 24-bit address for each DMA channel (bits 0-15 are stored in registers in the Master and Slave DMA Controllers). They are located at the following I/O Port addresses:

<u>I/O Address Bits 15-0</u>	<u>Register Name</u>	
0000 0000 1000 0111	Channel 0 DMA Page (M-0).....	RW
0000 0000 1000 0011	Channel 1 DMA Page (M-1).....	RW
0000 0000 1000 0001	Channel 2 DMA Page (M-2).....	RW
0000 0000 1000 0010	Channel 3 DMA Page (M-3).....	RW
0000 0000 1000 1111	Channel 4 DMA Page (S-0)	RW
0000 0000 1000 1011	Channel 5 DMA Page (S-1)	RW
0000 0000 1000 1001	Channel 6 DMA Page (S-2)	RW
0000 0000 1000 1010	Channel 7 DMA Page (S-3)	RW

Interrupt Controller Registers

Ports 20-21 - Master Interrupt Controller

The Master Interrupt Controller controls system interrupt channels 0-7. Two registers control the Master Interrupt Controller. They are:

<u>I/O Address Bits 15-0</u>	<u>Register Name</u>	
0000 0000 001x xxx0	Master Interrupt Control	RW
0000 0000 001x xxx1	Master Interrupt Mask	RW

Note that not all bits of the address are decoded.

The Master Interrupt Controller is compatible with the Intel 8259 Interrupt Controller chip. Detailed descriptions of 8259 Interrupt Controller operation can be obtained from the Intel Peripheral Components Data Book and numerous other industry publications.

Ports A0-A1 - Slave Interrupt Controller

The Slave Interrupt Controller controls system interrupt channels 8-15. The slave system interrupt controller also occupies two register locations:

<u>I/O Address Bits 15-0</u>	<u>Register Name</u>	
0000 0000 101x xxx0	Slave Interrupt Control	RW
0000 0000 101x xxx1	Slave Interrupt Mask	RW

Note that not all address bits are decoded.

The Slave Interrupt Controller is compatible with the Intel 8259 Interrupt Controller chip. Detailed descriptions of 8259 Interrupt Controller operation can be obtained from the Intel Peripheral Components Data Book and numerous other industry publications.

Interrupt Controller Shadow Registers

The following shadow registers are enabled by setting bit 4 of Rx47 to 1 (offset 47h in the PCI-ISA Bridge function 0 register group). If the shadow registers are enabled, they are read back at the indicated I/O port instead of the standard interrupt controller registers (writes to the interrupt controller register ports are directed to the standard interrupt controller registers).

Port 20 - Master Interrupt Control Shadow RO

- 7-5 Reserved** always reads 0
- 4 OCW3 bit 5**
- 3 OCW2 bit 7**
- 2 ICW4 bit 4**
- 1 ICW4 bit 1**
- 0 ICW1 bit 3**

Port 21 - Master Interrupt Mask Shadow RO

- 7-5 Reserved** always reads 0
- 4-0 T7-T3 of Interrupt Vector Address**

Port A0 - Slave Interrupt Control Shadow RO

- 7-5 Reserved** always reads 0
- 4 OCW3 bit 5**
- 3 OCW2 bit 7**
- 2 ICW4 bit 4**
- 1 ICW4 bit 1**
- 0 ICW1 bit 3**

Port A1 - Slave Interrupt Mask Shadow RO

- 7-5 Reserved** always reads 0
- 4-0 T7-T3 of Interrupt Vector Address**

Timer / Counter Registers

Ports 40-43 - Timer / Counter Registers

There are 4 Timer / Counter registers:

<u>I/O Address Bits 15-0</u>	<u>Register Name</u>	
0000 0000 010x xx00	Timer / Counter 0 Count	RW
0000 0000 010x xx01	Timer / Counter 1 Count	RW
0000 0000 010x xx10	Timer / Counter 2 Count	RW
0000 0000 010x xx11	Timer / Counter Cmd Mode	WO

Note that not all bits of the address are decoded.

The Timer / Counters are compatible with the Intel 8254 Timer / Counter chip. Detailed descriptions of 8254 Timer / Counter operation can be obtained from the Intel Peripheral Components Data Book and numerous other industry publications.

CMOS / RTC Registers

Port 70 - CMOS Address WO

- 7 NMI Disable WO
 - 0 Enable NMI Generation. NMI is asserted on encountering IOCHCK# on the ISA bus or SERR# on the PCI bus.
 - 1 Disable NMI Generation..... default
- 6-0 CMOS Address (128 bytes)..... WO

Port 71 - CMOS Data..... RW

- 7-0 CMOS Data (128 bytes)

Note: The system Real Time Clock (RTC) is part of the "CMOS" block. The RTC control registers are located at specific offsets in the CMOS data area. Detailed descriptions of CMOS / RTC operation and programming can be obtained from the VIA VT82887 Data Book or numerous other industry publications.

PCI to ISA Bridge Registers (Function 0)

All registers are located in the function 0 PCI configuration space of the VT82C586A. These registers are accessed through PCI configuration mechanism #1 via I/O address CF8/CFC.

PCI Configuration Space Header

Offset 1-0 - Vendor ID = 1106hRO

Offset 3-2 - Device ID = 0586hRO

Offset 5-4 - CommandRW

- 15-4 Reserved always reads 0
- 3 Special Cycle Enable always reads 1
- 2 Bus Master always reads 1
- 1 Memory Space always reads 1
- 0 I/O Space always reads 1

Offset 7-6 - StatusRWC

- 15 Detected Parity Error write one to clear
- 14 Signalled System Error always reads 0
- 13 Signalled Master Abort always reads 0
- 12 Received Target Abort write one to clear
- 11 Signalled Target Abort always reads 0
- 10-9 DEVSEL# Timing fixed at 01 (medium)
- 8 Data Parity Detected always reads 0
- 7 Fast Back-to-Back always reads 0
- 6-0 Reserved always reads 0

Offset 8 - Revision ID = nnRO

Offset 9 - Program Interface = 00hRO

Offset A - Sub Class Code = 01hRO

Offset B - Class Code = 06hRO

Offset E - Header Type = 80hRO

- 7-0 Header Type Code 80h (Multifunction Device)

Offset F - BIST = 00hRO

ISA Bus Control

Offset 40 - ISA Bus Control RW

- 7 **ISA Command Delay**
 - 0 Normal default
 - 1 Extra
- 6 **Extended ISA Bus Ready**
 - 0 Disable default
 - 1 Enable
- 5 **ISA Slave Wait States**
 - 0 4 Wait States default
 - 1 5 Wait States
- 4 **Chipset I/O Wait States**
 - 0 2 Wait States default
 - 1 4 Wait States
- 3 **I/O Recovery Time**
 - 0 Disable default
 - 1 Enable
- 2 **Extend-ALE**
 - 0 Disable default
 - 1 Enable
- 1 **ROM Wait States**
 - 0 1 Wait State default
 - 1 0 Wait States
- 0 **ROM Write**
 - 0 Disable default
 - 1 Enable

Offset 41 - Refresh and Port 92 RW

- 7 **Bus Refresh Arbitration**
 - 0 Enable default
 - 1 Disable
- 6 **Reserved** always reads 0
- 5 **Port 92 Fast Reset**
 - 0 Disable default
 - 1 Enable
- 4 **Reserved** always reads 0
- 3 **Double DMA Clock**
 - 0 Disable default
 - 1 Enable
- 2 **Reserved** always reads 0
- 1 **Refresh Request Test Mode**
 - 0 Disable default
 - 1 Enable
- 0 **Reserved** always reads 0

Offset 42 - ISA Clock Control.....RW

- 7 Latch IO16#**
 - 0 Enable.....default
 - 1 Disable
- 6 MCS16# Output**
 - 0 Disabledefault
 - 1 Enable
- 5-4 Reserved** always reads 0
- 3 ISA CLOCK Select Enable**
 - 0 ISA Clock = PCICLK/4default
 - 1 ISA Clock selected per bits 2-0
- 2-0 ISA Bus Clock Select (if bit-3 = 1)**
 - 000 PCICLK/3default
 - 001 PCICLK/2
 - 010 PCICLK/4
 - 011 PCICLK/6
 - 100 PCICLK/5
 - 101 PCICLK/10
 - 110 PCICLK/12
 - 111 OSC/2

Note: Procedure for ISA CLOCK switching:

- 1) Set bit 3 to 0
- 2) Change value of bit 2-0
- 3) Set bit 3 to 1

Offset 43 - ROM Decode ControlRW

Setting these bits enables the indicated address range to be included in the ROMCS# decode:

- 7 FFFE0000h-FFFEFFFFh** default=0
- 6 FFF80000h-FFFDFFFFh** default=0
- 5 000E8000h-000EFFFFh** default=0
- 4 000E0000h-000E7FFFh** default=0
- 3 000D8000h-000DFFFFh** default=0
- 2 000D0000h-000D7FFFh** default=0
- 1 000C8000h-000CFFFFh** default=0
- 0 000C0000h-000C7FFFh** default=0

Offset 44 - Keyboard Controller Control.....RW

- 7-1 Reserved** always reads 0
- 0 PS2 Mouse Enable**
 - 0 Disableddefault
 - 1 Enabled

Offset 45 - Type F DMA Control.....RW

- 7 ISA Master / DMA to PCI Line Buffer** default=0
- 6 DMA type F Timing on Channel 7** default=0
- 5 DMA type F Timing on Channel 6** default=0
- 4 DMA type F Timing on Channel 5** default=0
- 3 DMA type F Timing on Channel 3** default=0
- 2 DMA type F Timing on Channel 2** default=0
- 1 DMA type F Timing on Channel 1** default=0
- 0 DMA type F Timing on Channel 0** default=0

Offset 46 - Miscellaneous Control 1..... RW

- 7-3 Reserved** always reads 0
- 2 Pin 137 Function Control**
 - Rx46h Rx44h
 - | bit 2 | bit-0 | Pin 137 | |
|-------|-------|---------|---------------|
| 1 | 0 | IRQ12 | |
| 0 | x | MASTER# | default |
| x | 1 | MASTER# | |
- 1 PCI Burst Read Interruptability**
 - 0 Allow burst reads to be interrupted..... default
 - 1 Don't allow PCI burst reads to be interrupted
- 0 Post Memory Write Enable**
 - 0 Disable..... default
 - 1 Enable

Offset 47 - Miscellaneous Control 2..... RW

- 7 CPU Reset Source**
 - 0 Use CPURST as CPU Reset default
 - 1 Use INIT as CPU Reset
- 6 PCI Delay Transaction Enable**
 - 0 Disable..... default
 - 1 Enable
- 5 EISA 4D0/4D1 Port Enable**
 - 0 Disable..... default
 - 1 Enable
- 4 Interrupt Controller Shadow Register Enable**
 - 0 Disable..... default
 - 1 Enable
- 3 Reserved** always reads 0
- 2 Write Delay Transaction Time-Out Timer Enable**
 - 0 Disable..... default
 - 1 Enable
- 1 Read Delay Transaction Time-Out Timer Enable**
 - 0 Disable..... default
 - 1 Enable
- 0 Software PCI Reset** write 1 to generate PCI reset

Offset 48 - Miscellaneous Control 3..... RW

- 7-3 Reserved** always reads 0
- 2 Integrated USB Controller Disable**
 - 0 Enable default
 - 1 Disable
- 1 Integrated IDE Controller Disable**
 - 0 Enable default
 - 1 Disable
- 0 512K PCI Memory Decode**
 - 0 Use the contents of bits 15-12 of Rx4Eh as the top of PCI memory
 - 1 Use the contents of bits 15-12 of Rx4Eh plus 512K as the top of PCI memory default

Offset 4A - IDE Interrupt RoutingRW

- 7 Wait for PGNT Before Grant to ISA Master/DMA**
 - 0 Disabledefault
 - 1 Enable
- 6 Put I/O Devices Below 100h to SD Bus**
 - 0 Disabledefault
 - 1 Enable
- 5-4 Reserved** always reads 0
- 3-2 IDE Second Channel IRQ Routing**
 - 00 IRQ14
 - 01 IRQ15.....default
 - 10 IRQ10
 - 11 IRQ11
- 1-0 IDE Primary Channel IRQ Routing**
 - 00 IRQ14.....default
 - 01 IRQ15
 - 10 IRQ10
 - 11 IRQ11

4C - ISA DMA/Master Memory Access Control 1 RW

- 7-0 PCI Memory Hole Bottom Address**
These bits correspond to HA[23:16]default=0

4D - ISA DMA/Master Memory Access Control 2 RW

- 7-0 PCI Memory Hole Top Address (HA[23:16])**
These bits correspond to HA[23:16]default=0

Note: Access to the memory defined in the PCI memory hole will not be forwarded to PCI. This function is disabled if the top address less than or equal to the bottom address.

4F-4E - ISA DMA/Master Memory Access Control 3... RW

- 15-12 Top of PCI Memory for ISA DMA/Master accesses**
 - 0000 1M default
 - 0001 2M
 -
 - 1111 16M

Note: All ISA DMA / Masters that access addresses higher than the top of PCI memory will not be directed to the PCI bus.

- 11 Forward E000-EFFFF Accesses to PCI.....def=0**
- 10 Forward A000-BFFFF Accesses to PCIdef=0**
- 9 Forward 8000-9FFFF Accesses to PCIdef=1**
- 8 Forward 0000-7FFFF Accesses to PCIdef=1**
- 7 Forward DC000-DFFFF Accesses to PCIdef=0**
- 6 Forward D8000-DBFFF Accesses to PCIdef=0**
- 5 Forward D4000-D7FFF Accesses to PCIdef=0**
- 4 Forward D0000-D3FFF Accesses to PCIdef=0**
- 3 Forward CC000-CFFFF Accesses to PCIdef=0**
- 2 Forward C8000-CBFFF Accesses to PCIdef=0**
- 1 Forward C4000-C7FFF Accesses to PCIdef=0**
- 0 Forward C0000-C3FFF Accesses to PCIdef=0**

Plug and Play Control

Offset 50 - PNP DRQ Routing.....RW

- 7-3 **Reserved** always reads 00100b
- 2-0 **MDRQ0 Routing**
 - 000 DRQ0
 - 001 DRQ1
 - 010 DRQ2
 - 011 DRQ3
 - 100 Disableddefault
 - 101 DRQ5
 - 110 DRQ6
 - 111 DRQ7

Offset 54 - PCI IRO Edge / Level Select.....RW

- 7-4 **Reserved** always reads 0
The following bits all default to "level" triggered (0)
- 3 **PIRQA# Invert (edge) / Non-invert (level).....(1/0)**
- 2 **PIRQB# Invert (edge) / Non-invert (level).....(1/0)**
- 1 **PIRQC# Invert (edge) / Non-invert (level).....(1/0)**
- 0 **PIRQD# Invert (edge) / Non-invert (level).....(1/0)**

Offset 55 - PNP IRO Routing 1 RW

- 7-4 **PIRQD# routing**
 - 0000 Disabled..... default
 - 0001 IRQ1
 - 0010 Reserved
 - 0011 IRQ3
 - 0100 IRQ4
 - 0101 IRQ5
 - 0110 IRQ6
 - 0111 IRQ7
 - 1000 Reserved
 - 1001 IRQ9
 - 1010 IRQ10
 - 1011 IRQ11
 - 1100 IRQ12
 - 1101 Reserved
 - 1110 IRQ14
 - 1111 IRQ15

- 3-0 **MIRQ0 Routing** (same as PIRQD# routing)def=0

Offset 56 - PNP IRO Routing 2 RW

- 7-4 **PIRQA# Routing** (same as PIRQD# routing) ...def=0
- 3-0 **PIRQB# Routing** (same as PIRQD# routing) ...def=0

Offset 57 - PNP IRO Routing 3 RW

- 7-4 **PIRQC# Routing** (same as PIRQD# routing) ...def=0
- 3-0 **MIRQ1 Routing** (same as PIRQD# routing)def=0

Power Management

Refer to VIA application note AP-053 (“APM-Compliant Power Management Model of the VT82C586A”) for additional information on power management programming.

Offset 80 - Primary Activity Detect EnableRW

- 7 Keyboard Controller Access Detect Enable**
 - 0 Disabledefault
 - 1 Enable activity detect status bit to be set by access to I/O port 60h
- 6 Serial Port Access Detect Enable**
 - 0 Disabledefault
 - 1 Enable activity detect status bit to be set by access to COM1, 2, 3, or 4
- 5 Parallel Port Access Detect Enable**
 - 0 Disabledefault
 - 1 Enable activity detect status bit to be set by access to I/O ports 278-27F or 378-37F
- 4 Video Access Detect Enable**
 - 0 Disabledefault
 - 1 Enable activity detect status bit to be set by access to I/O ports 3B0-3DF or A-B memory segments
- 3 DRV (HDD/Floppy) Access Detect Enable**
 - 0 Disabledefault
 - 1 Enable activity detect status bit to be set by access to I/O ports 1F0-1F7, 170-177, or 3F5.
- 2 Turbo Pin Toggle Detect Enable**
 - 0 Disabledefault
 - 1 Enable activity detect status bit to be set by toggle of Turbo input pin
- 1 Primary INTR Activity Detect Enable**
 - 0 Disabledefault
 - 1 Enable activity detect status bit to be set by primary INTR activity
- 0 DMA/Master Activity Detect Enable**
 - 0 Disabledefault
 - 1 Enable activity detect status bit to be set by DMA / Master activity

Offset 82 - Primary Activity Detect Status.....RWC

These bits correspond to the activity detect enable bits above.

- 7 Keyboard Controller Access Status..... default=0**
- 6 Serial Port Access Status default=0**
- 5 Parallel Port Access Status default=0**
- 4 Video IO/Memory Access Status default=0**
- 3 DRV (HDD/Floppy) Access Status default=0**
- 2 Turbo Pin Toggle Status default=0**
- 1 Primary INTR Activity Status default=0**
- 0 DMA/Master Activity Status default=0**

Offset 85-84 - SMI Event Enable..... RW

- 15 Enable SMI on Internal USB Ctrlr Activity .def=0**
- 14-12 Reservedalways reads 0**
- 11 Enable SMI on EXTSMI7 Pin Toggledefault=0**
- 10 Enable SMI on EXTSMI6 Pin Toggledefault=0**
- 9 Enable SMI on EXTSMI5 Pin Toggledefault=0**
- 8 Enable SMI on EXTSMI4 Pin Toggledefault=0**
- 7 Enable SMI on EXTSMI3 pin toggledefault=0**
- 6 Enable SMI on EXTSMI2 pin toggledefault=0**
- 5 Enable SMI on Sec Event Timer Timeoutdef=0**
- 4 Enable SMI on GP1 Timer Timeoutdefault=0**
- 3 Enable SMI on GP0 Timer Timeoutdefault=0**
- 2 Enable SMI on Pri INTR Activitydefault=0**
- 1 Enable SMI on EXTSMI Pin Toggledefault=0**
- 0 Trigger Software SMI.....(write 1 to trigger)**

Offset 87-86 - SMI Status..... RWC

- 15 Internal USB Controller Generated SMI**
- 14-12 Reservedalways reads 0**
- 11 EXTSMI7 Pin Toggle SMI default=0**
- 10 EXTSMI6 Pin Toggle SMI default=0**
- 9 EXTSMI5 Pin Toggle SMI default=0**
- 8 EXTSMI4 Pin Toggle SMI default=0**
- 7 EXTSMI3 Pin Toggle SMI default=0**
- 6 EXTSMI2 Pin Toggle SMI default=0**
- 5 Secondary Event Timer Time-out SMI default=0**
- 4 GP1 Timer Time out SMI default=0**
- 3 GP0 Timer Time out SMI default=0**
- 2 Primary INTR Activity SMI..... default=0**
- 1 External SMI Pin Toggle SMI..... default=0**
- 0 Software SMI..... default=0**

Offset 88 - Timer Control 1RW

- 7 **GP1 Timer Enable** default=0
- 6 **GP1 Timer Auto Reload After Count to 0** def=0
- 5-4 **GP1 Timer Select / Enable**
 - 00 Disabledefault
 - 01 Time base = 10 msec
 - 10 Time base = 1 second
 - 11 Time base = 1 minute
- 3 **GP0 Timer Enable** default=0
- 2 **GP0 Timer Auto Reload After Count to 0** def=0
- 1-0 **GP0 Timer Select / Enable**
 - 00 Disabledefault
 - 01 Time base = 10 msec
 - 10 Time base = 1 second
 - 11 Time base = 1 minute

Offset 89 - Timer Control 2RW

- 7-0 **GP0 Timer Load Value** default=0

Offset 8A - Timer Control 3RW

- 7-0 **GP1 Timer Load Value** default=0

Offset 8B - GP Timer Reload EnableRW

- 7-5 **Reserved** always reads 0
The following bits all default to 0 on power up:
- 4 **GP0 Timer Enable Reload on Primary Activity**
- 3 **GP1 Timer Enable Reload on HDD/Floppy Access**
- 2 **GP1 Timer Enable Reload on Video Access**
- 1 **GP1 Timer Enable Reload on Serial Port Access**
- 0 **GP1 Timer Enable Reload on KBC Access**

Offset 8C - Conserve Mode / Secondary Event RW

- 7-6 **Conserve Mode Clock Select**
 - 00 1/16 second default
 - 01 1/8 second
 - 10 1 second
 - 11 1 minute
- 5 **Conserve Mode Indicator** RO, def=0
- 4 **Conserve Mode Enable** default=0
- 3-2 **Secondary Event Activity Timer**
 - 00 4 msec default
 - 01 128 msec
 - 10 1 second
 - 11 By EOI + 0.5 ms
- 1 **Secondary Event Indicator** RO, def=0
- 0 **Secondary Activity Enable** default=0

Offset 8D - Miscellaneous Control RW

- 7 **Reserved (do not program)** default=0
- 6 **Wait for STPCLK Acknowledge** default=0
- 5 **Wait for HALT Before STPCLK# Asserted** .def=0
- 4 **STPCLK# Throttling Time Base**
 - 0 32 us default
 - 1 1 ms
- 3 **STPCLK# Throttling Enable** default=0
- 2 **Suspend Mode Enable**
 - 0 Normal Operating Mode default
 - 1 Put CPU into Suspend Mode
- 1 **Reserved (do not program)** default=0
- 0 **Global SMI Enable** default=0

Offset 8E - STPCLK# Duty Cycle RW

- 7-4 **Reserved** always reads 0
- 3-0 **STPCLK# Duty Cycle**
 - 0000 Disable default
 - 0001 1/16
 - 0010 2/16
 - 0011 3/16
 -
 - 1111 15/16

The following 4 registers all default to 00 at power-up (all events disabled):

Offset 90 - ISA IRQ 7-0 as Primary Event.....RW

7-0 IRQ7-0 (1 bits enable corresponding interrupt line)

Offset 91 - ISA IRQ 15-8 as Primary Event.....RW

7-0 IRQ15-8 (1 bits enable corresponding interrupt line)

Offset 92 - ISA IRQ 7-0 as Secondary Event.....RW

7-0 IRQ7-0 (1 bits enable corresponding interrupt line)

Offset 93 - ISA IRQ15-8 as Secondary Event.....RW

7-0 IRQ15-8 (1 bits enable corresponding interrupt line)

Offset 94 - External SMI Pin Status.....RO

- 7 EXTSMI7 Pin Status
- 6 EXTSMI6 Pin Status
- 5 EXTSMI5 Pin Status
- 4 EXTSMI4 Pin Status
- 3 EXTSMI3 Pin Status
- 2 EXTSMI2 Pin Status
- 1 EXTSMI Pin Status
- 0 TURBO Pin Status

Strap Options

Offset 95 - Power-Up Strap Option 1.....RO

The following bits are latched from pins XD7-0 at power-up:

- 7 **Keyboard RP16** latched from XD7
- 6 **Keyboard RP15** latched from XD6
- 5 **Keyboard RP14** latched from XD5
- 4 **Keyboard RP13** latched from XD4
- 3 **PISA / SIO** latched from XD3
 - 0 PISA (for docking stations)
 - 1 SIO (for desktop systems)..... (typical setting)
- 2 **Internal RTC Enable**..... latched from XD2
 - 0 Disable
 - 1 Enable
- 1 **Internal PS2 Mouse Enable** latched from XD1
 - 0 Disable
 - 1 Enable
- 0 **Internal KBC Enable** latched from XD0
 - 0 Disable
 - 1 Enable

Offset 96 - Power-Up Strap Option 2.....RO

These bits are latched from the indicated pins at power-up:

- 7 **User-Defined** latched from DACK7 (pin 133)
 - 6 **User-Defined** latched from DACK6 (pin 131)
 - 5 **User-Defined** latched from DACK5 (pin 58)
 - 4 **User-Defined** latched from DACK3 (pin 31)
 - 3 **User-Defined** latched from DACK2 (pin 33)
 - 2 **User-Defined** latched from DACK1 (pin 18)
 - 1 **EXTSMI2-7 SMI** ...latched from ROMCS# (pin 135)
 - 0 Enable external SMI on EXTSMI2-7
 - 1 Disable external SMI on EXTSMI2-7
- EXTSMI2-7 are on the same pins as DAC1-3,5-7 (pins 18, 33, 31, 58, 131, and 133) (see pin definitions for more information)
- 0 **IDE Addressing**..... latched from SPKR (pin 134)
 - 0 Fixed
 - 1 Flexible

See also IDE offset 9 bits 0-3 for more information

Note: External strap option values may be set by connecting the indicated external pin to a 4.7K ohm pullup (for 1) or drive it low during reset with a 7407 TTL open collector buffer (for 0) as shown in the suggested circuit below:

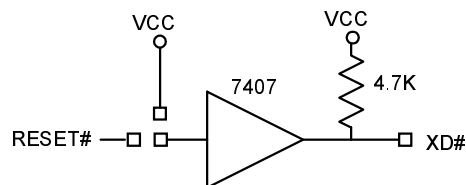


Figure 2. Strap Option Circuit

Enhanced IDE Controller Registers (Function 1)

This Enhanced IDE controller interface is fully compatible with the SFF 8038i v.1.0 specification. There are two sets of software accessible registers -- PCI configuration registers and Bus Master IDE I/O registers. The PCI configuration registers are located in the function 1 PCI configuration space of the VT82C586A. The Bus Master IDE I/O registers are defined in the SFF8038i v1.0 specification.

PCI Configuration Space Header

Offset 1-0 - Vendor ID (1106h=VIA).....RO

Offset 3-2 - Device ID (0571h=IDE Controller).....RO

Offset 5-4 - Command.....RW

- 15-10 **Reserved** always reads 0
- 9 **Fast Back to Back Cycles**fixed at 0 (disabled)
- 8 **SERR# Enable**.....fixed at 0 (disabled)
- 7 **Address Stepping**fixed at **1 (enabled)**
- 6 **Parity Error Response**.....fixed at 0 (disabled)
- 5 **VGA Palette Snoop**fixed at 0 (disabled)
- 4 **Memory Write & Invalidate**fixed at 0 (disabled)
- 3 **Special Cycles**fixed at 0 (disabled)
- 2 **Bus Master** default=0 (disabled)
S/G operation can be issued only when the "Bus Master" bit is enabled.
- 1 **Memory Space**.....fixed at 0 (disabled)
- 0 **I/O Space** default=0 (disabled)
When the "I/O Space" bit is disabled, the device will not respond to any I/O addresses for both compatible and native mode.

Offset 7-6 - Status.....RWC

- 15 **Detected Parity Error** default=0
- 14 **Signalled System Error**..... default=0
- 13 **Received Master Abort**..... default=0
- 12 **Received Target Abort** default=0
- 11 **Signalled Target Abort**.....Fixed at 0
- 10-9 **DEVSEL# Timing** default = 01 (medium)
- 8 **Data Parity Detected**..... default=0
- 7 **Fast Back to Back**Fixed at 1
- 6-0 **Reserved** always reads 0

Offset 8 - Revision ID.....RO

- 0-7 **Revision Code for IDE Controller Logic Block**

Offset 9 - Programming Interface..... RW

- 7 **Master IDE Capability**..... fixed at 1 (Supported)
- 6-4 **Reserved**always reads 0
- 3 **Programmable Indicator - Secondary** fixed at 1
 - 0 Fixed (mode is determined by bit-2)
 - 1 Supports both modes (may be set to either mode by writing bit-2)
- 2 **Channel Operating Mode - Secondary**
 - 0 Compatibility Modedefault if SPKR=0
 - 1 Native PCI Modedefault if SPKR=1
 The default value for this bit is determined at power-up as strapped by the SPKR pin
- 1 **Programmable Indicator - Primary**..... fixed at 1
 - 0 Fixed (mode is determined by bit-2)
 - 1 Supports both modes (may be set to either mode by writing bit-0)
- 0 **Channel Operating Mode - Primary**
 - 0 Compatibility Mode.....default if SPKR=0
 - 1 Native PCI Modedefault if SPKR=1
 The default value for this bit is determined at power-up as strapped by the SPKR pin (pin 134)

Compatibility Mode (fixed IRQs and I/O addresses):

	Command Block	Control Block	
<u>Channel</u>	<u>Registers</u>	<u>Registers</u>	<u>IRQ</u>
Pri	1F0-1F7	3F6	14
Sec	170-177	376	15

Native PCI Mode (registers are programmable in I/O space)

	Command Block	Control Block
<u>Channel</u>	<u>Registers</u>	<u>Registers</u>
Pri	BA @offset 10h	BA @offset 14h
Sec	BA @offset 18h	BA @offset 1Ch

Command register blocks are 8 bytes of I/O space
Control registers are 4 bytes of I/O space (only byte 2 is used)

Offset A - Sub Class Code (01h)..... RO

Offset B - Base Class Code (01h)..... RO

Offset D - Latency Timer (Default=0)..... RW

Offset E - Header Type (00h)..... RO

Offset F - BIST (00h)..... RO

Offset 13-10 - Pri Data / Command Base Address.....RW

Specifies an 8 byte I/O address space.

- 31-16 **Reserved**always read 0
- 15-3 **Port Address** default=01F0h
- 2-0 **Fixed at 001b** fixed

Offset 17-14 - Pri Control / Status Base Address.....RW

Specifies a 4 byte I/O address space of which only the third byte is active (i.e., 3F6h for the default base address of 3F4h).

- 31-16 **Reserved**always read 0
- 15-2 **Port Address** default=03F4h
- 1-0 **Fixed at 01b** fixed

Offset 1B-18 - Sec Data / Command Base AddressRW

Specifies an 8 byte I/O address space.

- 31-16 **Reserved**always read 0
- 15-3 **Port Address** default=0170h
- 2-0 **Fixed at 001b** fixed

Offset 1F-1C - Sec Control / Status Base Address.....RW

Specifies a 4 byte I/O address space of which only the third byte is active (i.e., 376h for the default base address of 374h).

- 31-16 **Reserved**always read 0
- 15-2 **Port Address** default=0374h
- 1-0 **Fixed at 01b** fixed

Offset 23-20 - Bus Master Control Regs Base Address..RW

Specifies a 16 byte I/O address space compliant with the **SFF-8038i rev 1.0** specification.

- 31-16 **Reserved**always read 0
- 15-4 **Port Address** default=CC0h
- 3-0 **Fixed at 0001b** fixed

Offset 3C - Interrupt Line (0Eh)..... RW

Offset 3D - Interrupt Pin (00h)..... RO

- 7-0 **Interrupt Routing Mode**
 - 00h Legacy mode interrupt routing..... default
 - 01h Native mode interrupt routing

Offset 3E - Min Gnt (00h)..... RO

Offset 3F - Max Latency (00h)..... RO

IDE-Controller-Specific Configuration Registers

Offset 40 - Chip Enable.....RW

- 7-2 **Reserved** always reads 000001b
- 1 **Primary Channel Enable** default = 0 (disabled)
- 0 **Secondary Channel Enable** default = 0 (disabled)

Offset 41 - IDE Configuration.....RW

- 7 **Primary IDE Read Prefetch Buffer**
 - 0 Disabledefault
 - 1 Enable
- 6 **Primary IDE Post Write Buffer**
 - 0 Disabledefault
 - 1 Enable
- 5 **Secondary IDE Read Prefetch Buffer**
 - 0 Disabledefault
 - 1 Enable
- 4 **Secondary IDE Post Write Buffer**
 - 0 Disabledefault
 - 1 Enable
- 3 **Reserved (read write)**do not change, default=0
- 2 **Reserved (read write)**do not change, default=1
- 1 **Reserved (read write)**do not change, default=1
- 0 **Reserved (read write)**do not change, default=0

Offset 42 - Reserved (Do Not Program)RW

Offset 43 - FIFO ConfigurationRW

- 7 **Reserved** always reads 0
- 6-5 **FIFO Configuration Between the Two Channels**

	Primary	Secondary	
00	16	0	
01	8	8(default)
10	8	8	
11	0	16	
- 4 **Reserved** always reads 1
- 3-2 **Threshold for Primary Channel**
 - 00 1
 - 01 3/4
 - 10 1/2(default)
 - 11 1/4
- 1-0 **Threshold for Secondary Channel**
 - 00 1
 - 01 3/4
 - 10 1/2(default)
 - 11 1/4

Offset 44 - Miscellaneous Control 1..... RW

- 7 **Reserved**always reads 0
- 6 **Master Read Cycle IRDY# Wait States**
 - 0 0 wait states
 - 1 1 wait state default
- 5 **Master Write Cycle IRDY# Wait States**
 - 0 0 wait states
 - 1 1 wait state default
- 4 **FIFO Output Data 1/2 Clock Advance**
 - 0 Disabled default
 - 1 Enabled
- 3 **Bus Master IDE Status Register Read Retry**
 Retry bus master IDE status register read when master write operation for DMA read is not complete
 - 0 Disabled
 - 1 Enabled default
- 2-0 **Reserved** always reads 0

Offset 45 - Miscellaneous Control 2..... RW

- 7 **Reserved**always reads 0
- 6 **Interrupt Steering Swap**
 - 0 Don't swap channel interrupts default
 - 1 Swap interrupts between the two channels
- 5-0 **Reserved** always reads 0

Offset 46 - Miscellaneous Control 3..... RW

- 7 **Primary Channel Read DMA FIFO Flush**
 1 = Enable FIFO flush for read DMA when interrupt asserts primary channel. default=1 (enabled)
- 6 **Secondary Channel Read DMA FIFO Flush**
 1 = Enable FIFO flush for Read DMA when interrupt asserts secondary channel. Default=1 (enabled)
- 5 **Primary Channel End-of-Sector FIFO Flush**
 1 = Enable FIFO flush at the end of each sector for the primary channel. Default=0 (disabled)
- 4 **Secondary Channel End-of-Sector FIFO Flush**
 1 = Enable FIFO flush at the end of each sector for the secondary channel..... Default=0 (disabled)
- 3-2 **Reserved** always reads 0
- 1-0 **Max DRDY Pulse Width**
 Maximum DRDY# pulse width after the cycle count. Command will deassert in spite of DRDY# status to avoid system ready hang.
 - 00 No limitation default
 - 01 64 PCI clocks
 - 10 128 PCI clocks
 - 11 192 PCI clocks

Offset 4B-48 - Drive Timing Control.....RW

The following fields define the Active Pulse Width and Recovery Time for the IDE DIOR# and DIOW# signals:

- 31-28 Primary Drive 0 Active Pulse Width..... def=1010b
- 27-24 Primary Drive 0 Recovery Time..... def=1000b
- 23-20 Primary Drive 1 Active Pulse Width..... def=1010b
- 19-16 Primary Drive 1 Recovery Time..... def=1000b
- 15-12 Secondary Drive 0 Active Pulse Width .. def=1010b
- 11-8 Secondary Drive 0 Recovery Time def=1000b
- 7-4 Secondary Drive 1 Active Pulse Width .. def=1010b
- 3-0 Secondary Drive 1 Recovery Time def=1000b

The actual value for each field is the encoded value in the field plus one and indicates the number of PCI clocks.

Offset 4C - Address Setup Time.....RW

- 7-6 Primary Drive 0 Address Setup Time
- 5-4 Primary Drive 1 Address Setup Time
- 3-2 Secondary Drive 0 Address Setup Time
- 1-0 Secondary Drive 1 Address Setup Time

For each field above:

- 00 1T
- 01 2T
- 10 3T
- 11 4Tdefault

Offset 4E - Secondary Non-1F0 Port Access Timing.....RW

- 7-4 DIOR#/DIOW# Active Pulse Width..... def=1111b
 - 3-0 DIOR#/DIOW# Recovery Time..... def=1111b
- The actual value for each field is the encoded value in the field plus one and indicates the number of PCI clocks.

Offset 4F - Primary Non-1F0 Port Access Timing`RW

- 7-4 DIOR#/DIOW# Active Pulse Width..... def=1111b
 - 3-0 DIOR#/DIOW# Recovery Time..... def=1111b
- The actual value for each field is the encoded value in the field plus one and indicates the number of PCI clocks.

Offset 53-50 - UltraDMA33 Extended Timing Control. RW

- 31 Pri Drive 0 UltraDMA33-Mode Enable Method
 - 0 Enable by using "Set Feature" command..... def
 - 1 Enable by setting bit-6 of this register
- 30 Pri Drive 0 UltraDMA33-Mode Enable
 - 0 Disable..... default
 - 1 Enable UltraDMA33-Mode Operation
- 29 Pri Drive 0 Transfer Mode read only
 - 0 Based on UltraDMA33 DMA mode default
 - 1 Based on UltraDMA33 PIO Mode
- 28-26 Reserved always reads 0
- 25-24 Pri Drive 0 Cycle Time
 - 0 2T
 - 1 3T
 - 2 4T
 - 3 5T default
- 23 Pri Drive 1 UltraDMA33-Mode Enable Method
- 22 Pri Drive 1 UltraDMA33-Mode Enable
- 21 Pri Drive 1 Transfer Mode read only
- 20-18 Reserved always reads 0
- 17-16 Pri Drive 1 Cycle Time
 - 15 Sec Drive 0 UltraDMA33-Mode Enable Method
 - 14 Sec Drive 0 UltraDMA33-Mode Enable
 - 13 Sec Drive 0 Transfer Mode..... read only
 - 12-10 Reserved always reads 0
 - 9-8 Sec Drive 0 Cycle Time
 - 7 Sec Drive 1 UltraDMA33-Mode Enable Method
 - 6 Sec Drive 1 UltraDMA33-Mode Enable
 - 5 Sec Drive 1 Transfer Mode..... read only
 - 4-2 Reserved always reads 0
 - 1-0 Sec Drive 1 Cycle Time

Each byte defines UltraDMA33 operation for the indicated drive. The bit definitions are the same within each byte.

Offset 61-60 - Primary Sector Size RW

- 15-12 Reserved always reads 0
- 11-0 Number of Bytes Per Sector default=200h

Offset 69-68 - Secondary Sector Size RW

- 15-12 Reserved always reads 0
- 11-0 Number of Bytes Per Sector default=200h

IDE I/O Registers

These registers are compliant with the SFF 8038I v1.0 standard. Refer to the SFF 8038I v1.0 specification for further details.

Offset 0 - Primary Channel Command**Offset 2 - Primary Channel Status****Offset 4-7 - Primary Channel PRD Table Address****Offset 8 - Secondary Channel Command****Offset A - Secondary Channel Status****Offset C-F - Secondary Channel PRD Table Address**

Universal Serial Bus Controller Registers (Function 2)

This USB host controller interface is fully compatible with UHCI specification v1.1. There are two sets of software accessible registers: PCI configuration registers and USB I/O registers. The PCI configuration registers are located in the function 2 PCI configuration space of the VT82C586A. The USB I/O registers are defined in the UHCI v1.1 specification.

PCI Configuration Space Header

Offset 1-0 - Vendor IDRO

0-7 Vendor ID (1106h = VIA Technologies)

Offset 3-2 - Device ID.....RO

0-7 Device ID (3038h = VT82C586A USB Controller)

Offset 5-4 - Command.....RW

- 15-8 Reserved always reads 0
- 7 Address Stepping default=0 (disabled)
- 6 Reserved (parity error response)fixed at 0
- 5 Reserved (VGA palette snoop)fixed at 0
- 4 Memory Write and Invalidate . default=0 (disabled)
- 3 Reserved (special cycle monitoring)fixed at 0
- 2 Bus Master default=0 (disabled)
- 1 Memory Space..... default=0 (disabled)
- 0 I/O Space default=0 (disabled)

Offset 7-6 - Status.....RWC

- 15 Reserved (detected parity error)..... always reads 0
- 14 Signalled System Error default=0
- 13 Received Master Abort..... default=0
- 12 Received Target Abort default=0
- 11 Signalled Target Abort default=0
- 10-9 DEVSEL# Timing
 - 00 Fast
 - 01 Mediumdefault (fixed)
 - 10 Slow
 - 11 Reserved
- 8-0 Reserved always reads 0

Offset 8 - Revision ID (nnh)..... RO

7-0 Silicon Revision Code (0 indicates first silicon)

Offset 9 - Programming Interface (00h)..... RO

Offset A - Sub Class Code (03h)..... RO

Offset B - Base Class Code (0Ch)..... RO

Offset 0D - Latency Timer RW

7-0 Timer Value default = 16h

Offset 0E - Header Type (00h)..... RO

Offset 23-20 - USB I/O Register Base Address..... RW

- 31-16 Reserved always reads 0
- 15-5 USB I/O Register Base Address. Port Address for the base of the USB I/O Register block, corresponding to AD[15:5]
- 4-0 00001b

Offset 3C - Interrupt Line (00h)..... RW

Offset 3D - Interrupt Pin (04h)..... RW

USB-Specific Configuration Registers

Offset 40 - Miscellaneous Control 1.....RW

- 7 PCI Memory Command Option**
 - 0 Support Memory-Read-Line, Memory-Read-Multiple, and Memory-Write-and-Invalidate
.....default
 - 1 Only support Memory Read, Memory Write Commands
- 6 Babble Option**
 - 0 Automatically disable babbled port when EOF babble occurs.....default
 - 1 Don't disable babbled port
- 5 PCI Parity Check Option**
 - 0 Disable PERR# generation.....default
 - 1 Enable parity check and PERR# generation
- 4 Reserved** always reads 0
- 3 USB Data Length Option**
 - 0 Support TD length up to 1280.....default
 - 1 Support TD length up to 1023
- 2 USB Power Management**
 - 0 Disable USB power management.....default
 - 1 Enable USB power management
- 1 DMA Option**
 - 0 16 DW burst access.....default
 - 1 8 DW burst access
- 0 PCI Wait States**
 - 0 Zero waitdefault
 - 1 One wait

Offset 41 - Miscellaneous Control 2.....RW

- 7-3 Reserved** always reads 0
- 2 Trap Option**
 - 0 Set trap 60/64 status bits without checking enable bitsdefault
 - 1 Set trap 60/64 status bits only when trap 60/64 enable bits are set.
- 1 A20gate Pass Through Option**
 - 0 Pass through A20GATE command sequence defined in UHCI.....default
 - 1 Don't pass through Write I/O port 64 (ff)
- 0 Reserved** always reads 0

Offset 60 - Serial Bus Release Number.....RO

- 7-0 Release Number**..... always reads 10h

Offset C1-C0 - Legacy Support.....RO

- 15-0 UHCI v1.1 Compliant**..... always reads 2000h

USB I/O Registers

These registers are compliant with the UHCI v1.1 standard. Refer to the UHCI v1.1 specification for further details.

Offset 1-0 - USB Command

Offset 3-2 - USB Status

Offset 5-4 - USB Interrupt Enable

Offset 7-6 - Frame Number

Offset B-8 - Frame List Base Address

Offset 0C - Start Of Frame Modify

Offset 11-10 - Port 1 Status / Control

Offset 13-12 - Port 2 Status / Control

ELECTRICAL SPECIFICATIONS

Absolute Maximum Ratings

Parameter	Min	Max	Unit
Ambient operating temperature	0	70	°C
Storage temperature	-55	125	°C
Input voltage	-0.5	5.5	Volts
Output voltage ($V_{DD} = 5V$)	-0.5	5.5	Volts
Output voltage ($V_{DD} = 3.1 - 3.6V$)	-0.5	$V_{DD} + 0.5$	Volts

Note: Stress above the conditions listed may cause permanent damage to the device. Functional operation of this device should be restricted to the conditions described under operating conditions.

DC Characteristics

TA=0-70°C, $V_{DD}=5V \pm 5\%$, GND=0V

Symbol	Parameter	Min	Max	Unit	Condition
V_{IL}	Input low voltage	-0.50	0.8	V	
V_{IH}	Input high voltage	2.0	$V_{DD}+0.5$	V	
V_{OL}	Output low voltage	-	0.45	V	$I_{OL}=4.0mA$
V_{OH}	Output high voltage	2.4	-	V	$I_{OH}=-1.0mA$
I_{IL}	Input leakage current	-	+/-10	uA	$0 < V_{IN} < V_{DD}$
I_{OZ}	Tristate leakage current	-	+/-20	uA	$0.45 < V_{OUT} < V_{DD}$
I_{CC}	Power supply current	-	80	mA	

PACKAGE MECHANICAL SPECIFICATIONS

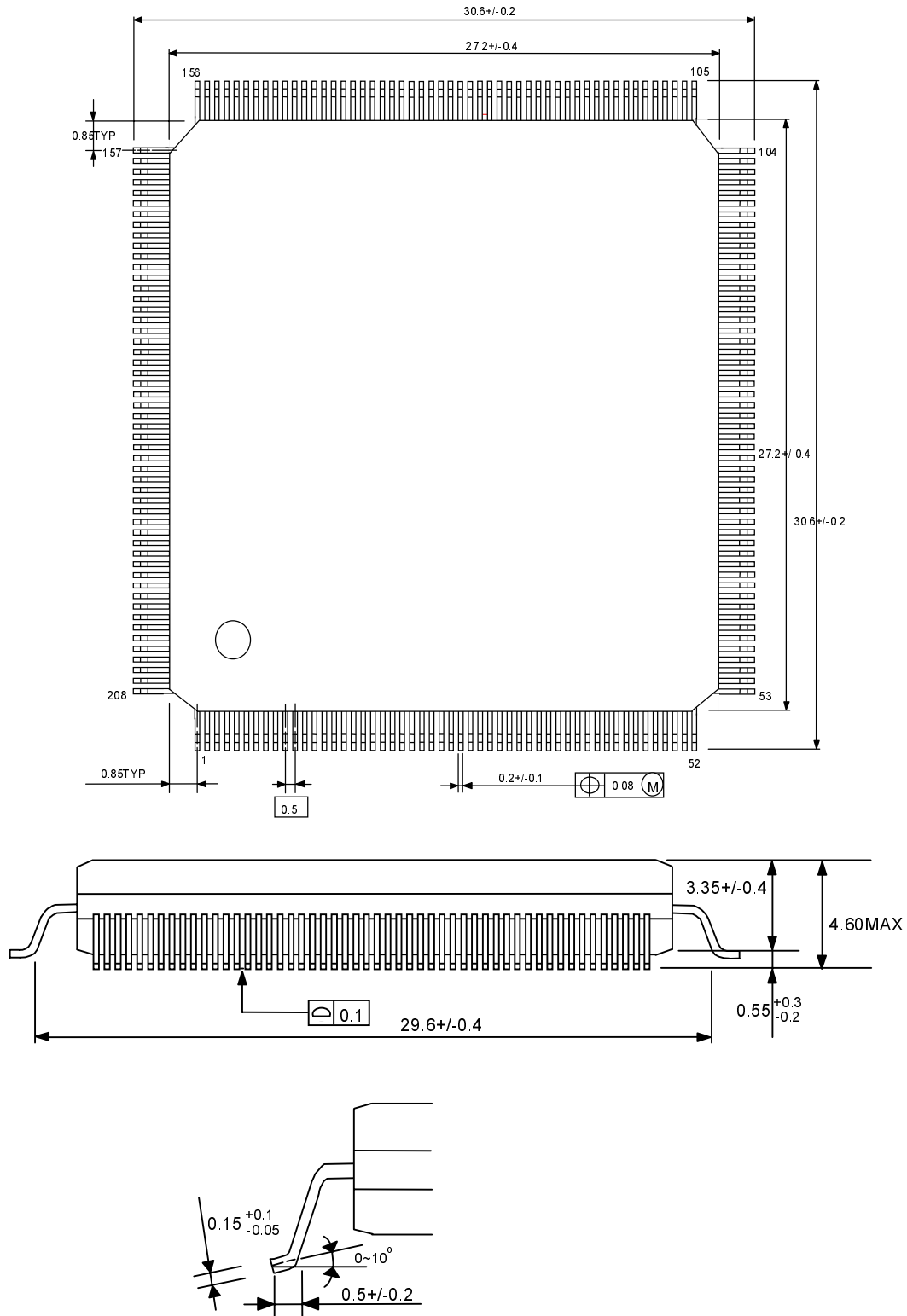


Figure 3. Mechanical Specifications - 208-Pin Plastic Flat Package