

Broadband Standard Product PA001005-28 GaN Medium Power Amplifier 100MHz to 500MHz

February 9, 2009

www.aeroflex.com/bband



DESCRIPTION

The PA001005-28 is a power amplifier in a compact package and is ideal for use as a stable gain block, IF Amplifier or medium Power Amplifier for commercial, military or space applications.

Our team of engineers can custom design power amplifiers using the latest simulation software and proprietary technology to meet even the most demanding specifications.

FEATURES

- 100MHz to 500MHz Frequency Range
- $P_{1dB} > 28\text{dBm}$
- 25dB typical Gain
- Operates from a Single +12V Supply
- Unconditionally Stable
- Compact Size

SPECIFICATIONS

ABSOLUTE MAXIMUM RATINGS¹

PARAMETER	SYMBOL	MIN	MAX	UNITS
Operating Temperature – Case	T_{MO}	-55	+95	°C
Storage Temperature – Case	T_{MS}	-65	+125	°C
Positive Supply Voltage	V_{PS}	-	+15	V

1. Stresses above those listed under "Absolute Maximums Rating" may cause permanent damage to the device. This is a stress rating only and functional operation of the device at these or any other conditions above those indicated in the operational sections of this specification is not implied. Exposure to absolute maximum rating conditions for extended periods may affect device reliability.

NOMINAL OPERATING CONDITIONS

PARAMETER	CONDITIONS	MIN	MAX	UNITS
Temperature, T_C – Case	Full Range	-55	+85	°C
Positive Supply Voltage, V_{PS}		+11.75	+12.5	V

Aeroflex Plainview

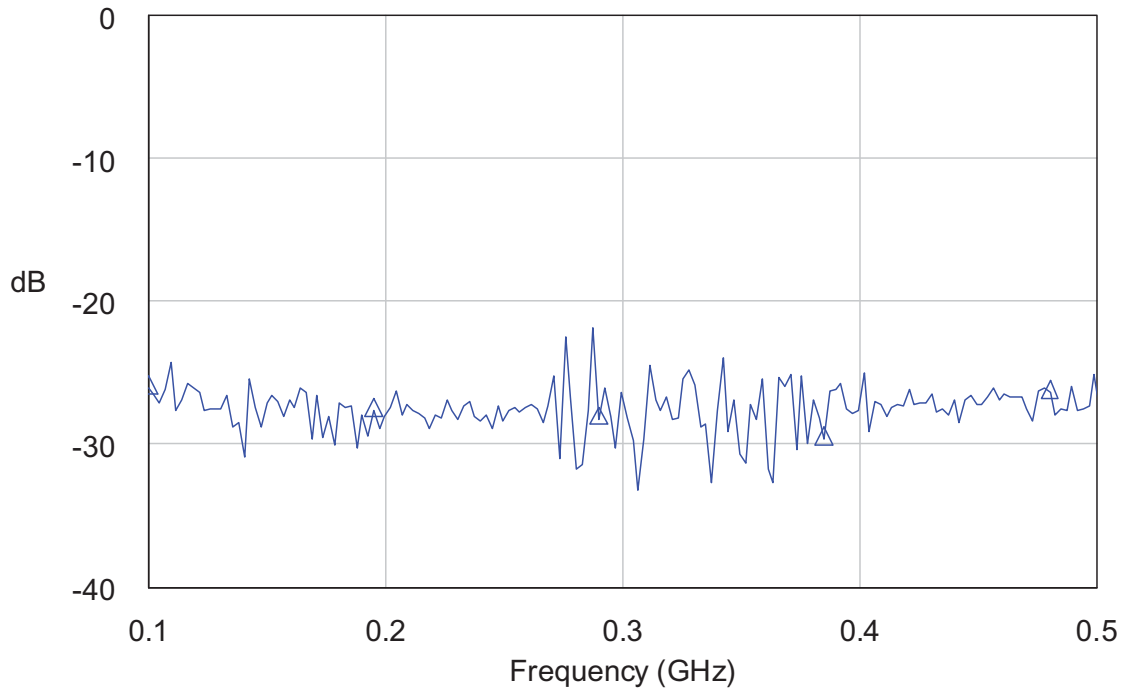
SCD10046 Rev A

SPECIFICATIONS

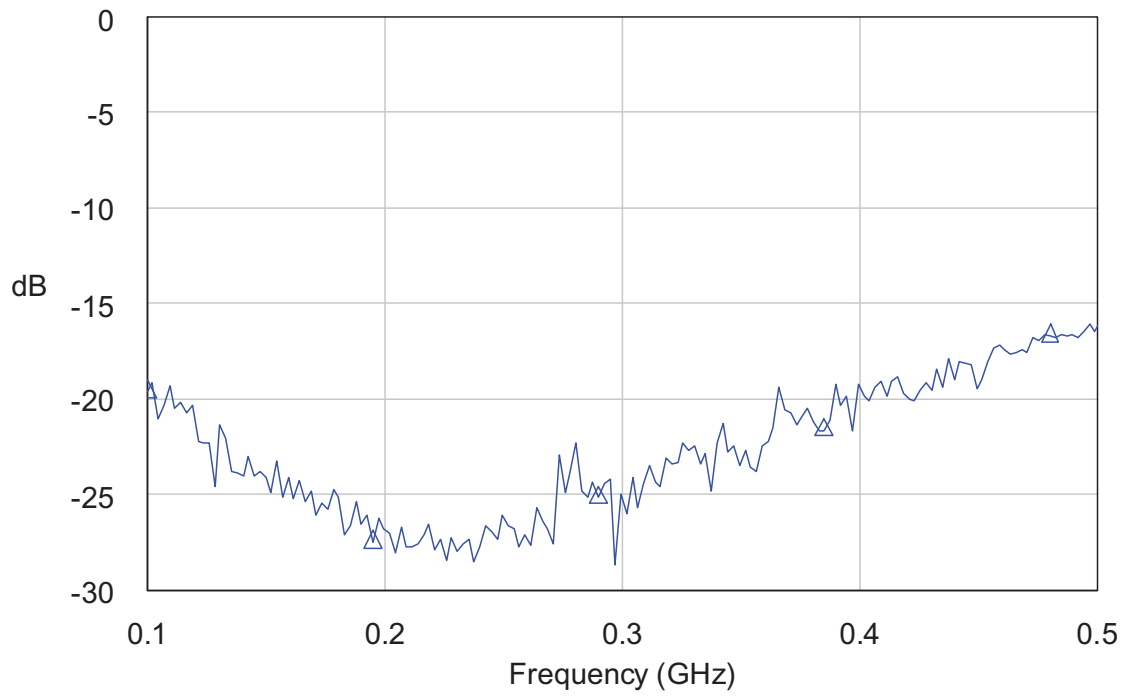
ELECTRICAL CHARACTERISTICS @ +25°C

PARAMETER	CONDITIONS	MIN	TYP	MAX	UNIT
Frequency Range		100	-	500	MHz
Power Output	1dB Compression Point	-	+28	-	dBm
Power Output Variation	Over Frequency	-1	-	+1	dBm
Gain		-	25	-	dB
Gain Flatness		-1.5	-	+1.5	dB
RF Input Impedance	Reference to 50 ohms	-	1.6:1	-	-
RF Output Impedance	Reference to 50 ohms	-	1.7:1	-	-
OIP3		-	+38	-	dBm
Positive Supply Voltage		-	+12	-	V
Positive Supply Current		-	275	-	mA

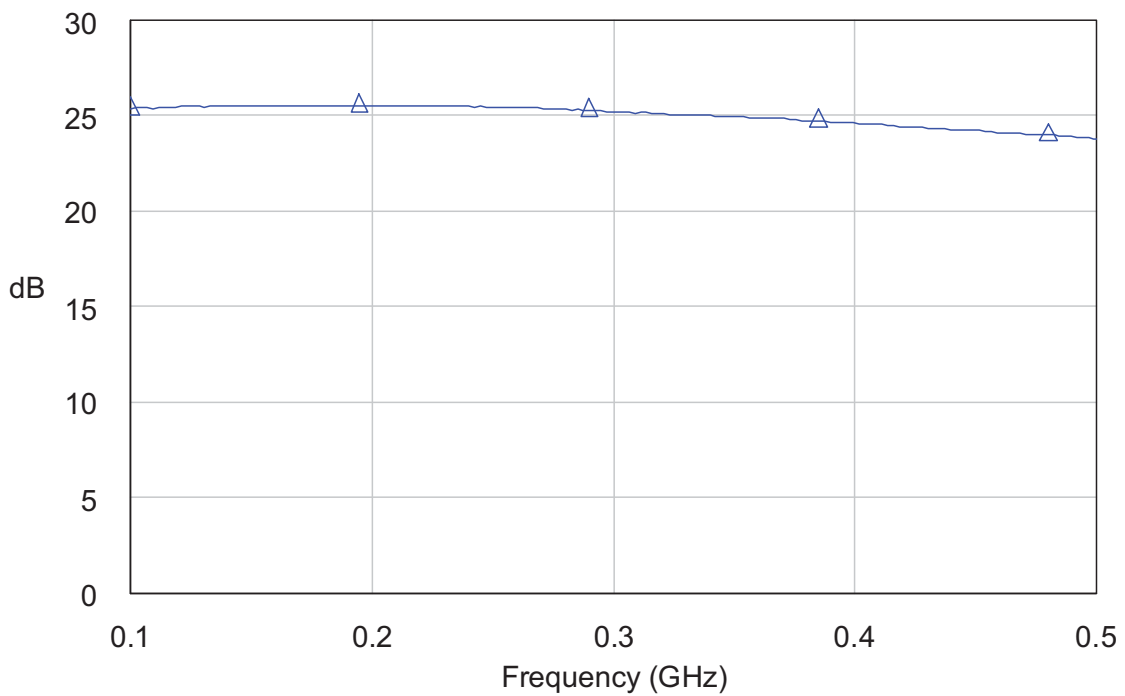
TYPICAL INPUT RETURN LOSS



TYPICAL OUTPUT RETURN LOSS



TYPICAL GAIN



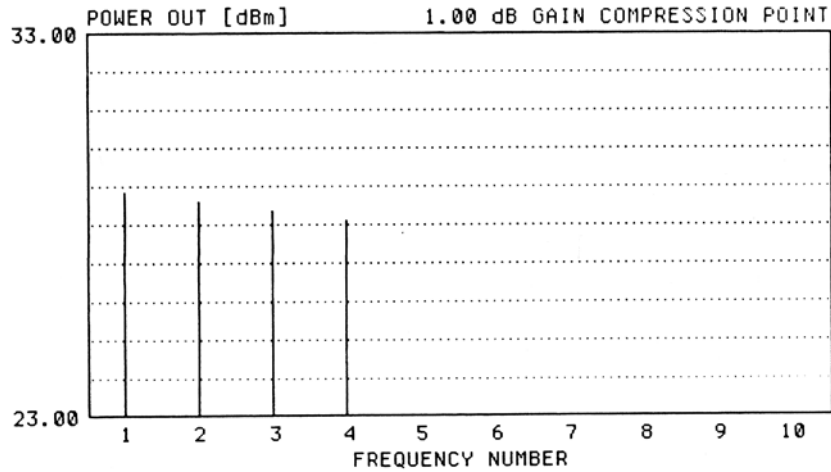
TYPICAL POWER P1dB

START: 0.00 dBm ERROR CORR: NONE
 STOP: 7.00 dBm AVERAGING: 1 PT
 STEP: 1.00 dBm IF BNDWDTH: 1 KHz
 FREQUENCY POINT: 0.550000 GHz

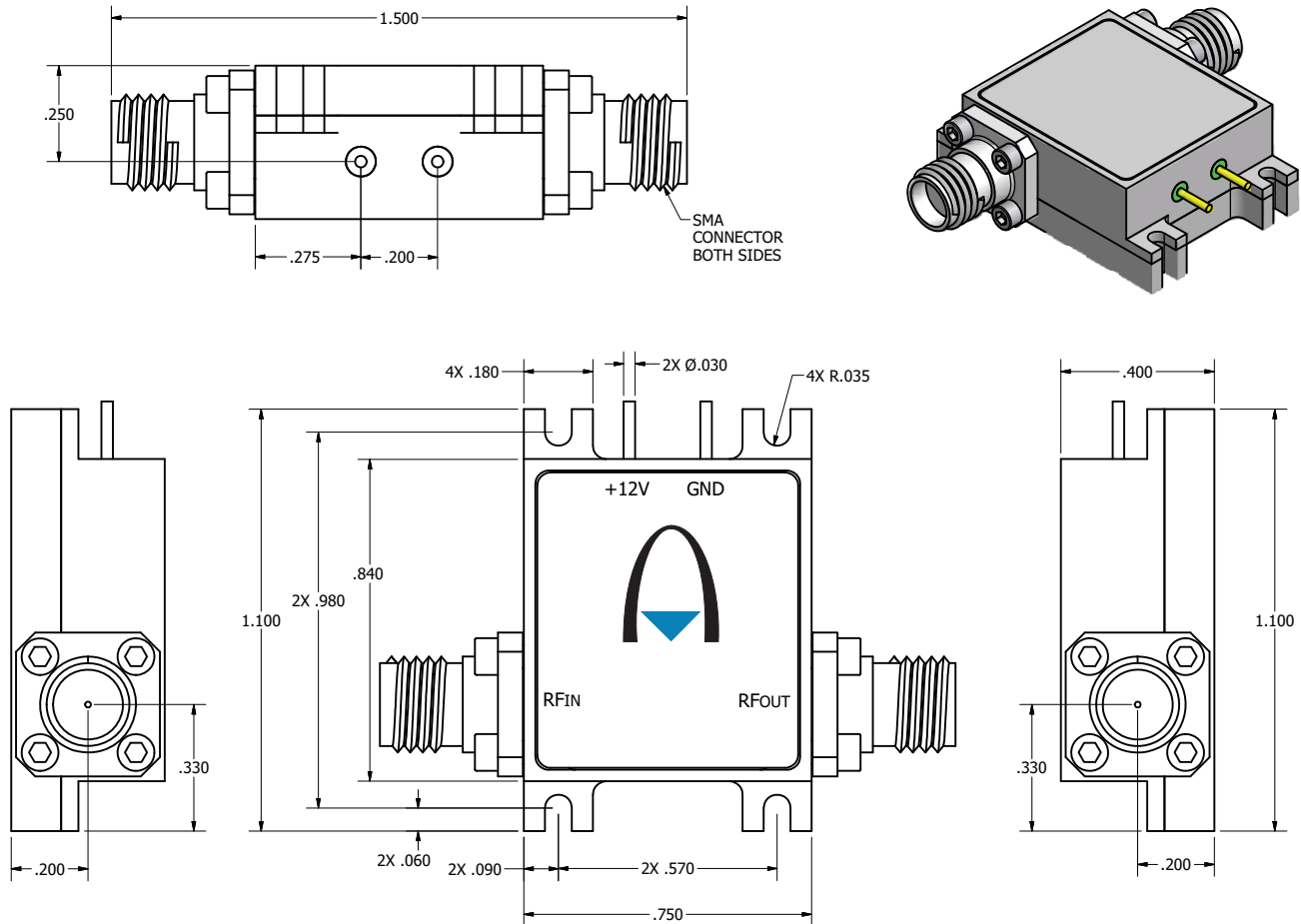
	CH1	CH2
PARAMETER:	b2/1	-S21-
NORMALIZATION:	DATA / MEMORY	DATA / MEMORY
REFERENCE PLANE:	0.0000 mm	0.0000 mm
SMOOTHING:	0.0 PERCENT	0.0 PERCENT
DELAY APERTURE:		

- MULTIPLE FREQUENCY GAIN COMPRESSION POINT -

SWEPT POWER FREQUENCIES	POWER IN	POWER OUT
1. 0.400000 GHz	5.37 dBm	28.81 dBm
2. 0.450000 GHz	5.54 dBm	28.59 dBm
3. 0.500000 GHz	5.69 dBm	28.34 dBm
4. 0.550000 GHz	5.87 dBm	28.06 dBm



OUTLINE DRAWING



ORDERING INFORMATION

MODEL NUMBER	HERMETICITY	PACKAGE
PA001005-28	Non-Hermetic	.840"L x 0.750"W x 0.40"Ht

PLAINVIEW, NEW YORK

Toll Free: 800-THE-1553
 Fax: 516-694-6715

INTERNATIONAL

Tel: 805-778-9229
 Fax: 805-778-1980

NORTHEAST

Tel: 603-888-3975
 Fax: 603-888-4585

SE AND MID-ATLANTIC

Tel: 321-951-4164
 Fax: 321-951-4254

WEST COAST

Tel: 949-362-2260
 Fax: 949-362-2266

CENTRAL

Tel: 719-594-8017
 Fax: 719-594-8468

www.aeroflex.com info-ams@aeroflex.com

Aeroflex Microelectronic Solutions reserves the right to change at any time without notice the specifications, design, function, or form of its products described herein. All parameters must be validated for each customer's application by engineering. No liability is assumed as a result of use of this product. No patent licenses are implied.



Our passion for performance is defined by three attributes represented by these three icons: solution-minded, performance-driven and customer-focused