

SMD POWER INDUCTORS

MODEL NO. : SDT-1204P SERIES (CDRH124B COMPATIBLE)

FEATURES:

- * SUPERIOR QUALITY FOR AN AUTOMATED PRODUCTION LINE.
- * PICK AND PLACE COMPATIBLE.
- * TAPE AND REEL PACKING.

APPLICATION :

- * NOTEBOOK COMPUTERS. * PDA. *ROGIC IC POWER SUPPLY

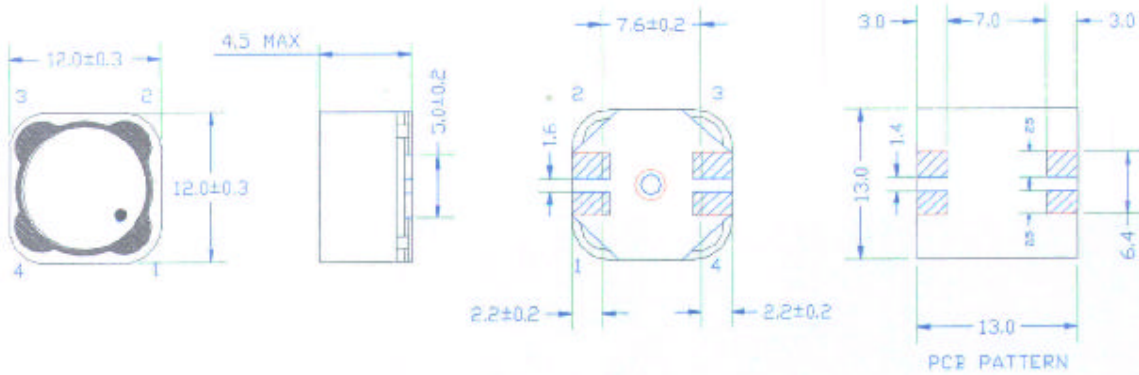


ELECTRICAL SPECIFICATION:

| MODEL NO | INDUCTANCE ($\mu\text{H} \pm 30\%$) PRI | TURN RATIO PRI : SEC | RATED CURRENT (ADC) | | DCR MAX (Ω) | |
|-------------------|---|-------------------------|------------------------|------|----------------------------|------|
| | | | PRI | SEC | PRI | SEC |
| SDT-1204P-9R0-121 | 9.0 | 1:2.1 | 3.6 | 0.20 | 0.040 | 0.45 |

NOTE(1):TEST FREQUENCY: 1 kHz,1 VRMS.

PHYSICAL DIMENSION(UNIT : mm)



TEST CIRCUIT :

