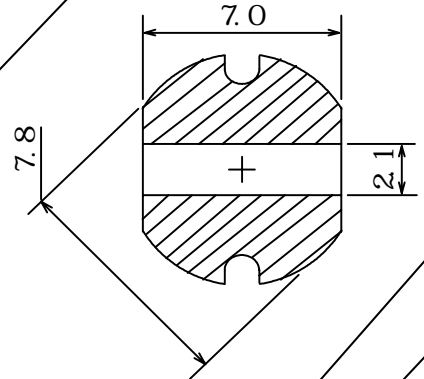
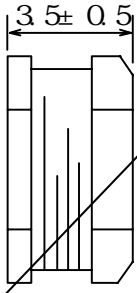
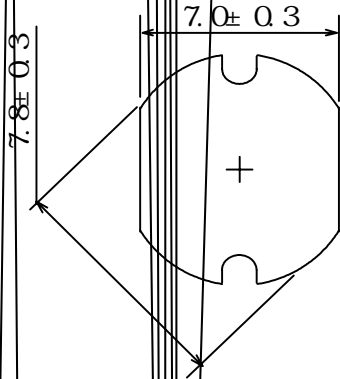


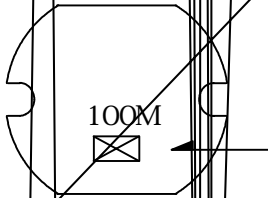


1-1.

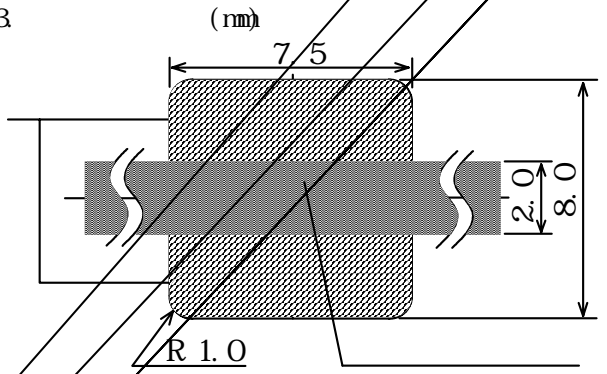
()



1-2



1-3



2-1.

()

RoHS
compliance
Cd: Max. 0.01wt %
others: Max. 0.1wt %

NO			[]	() (at 20)	()	(MHz) []	
01	CD73NP-100MC	100M	10μ H± 20%	80.3(61.8)	1.44	38.7	4730-0068
02	CD73NP-100MB						4730-0089
03	CD73NP-120MC	120M	12μ H± 20%	89.7(69.0)	1.39	34.8	4730-0069
04	CD73NP-120MB						4730-0090
05	CD73NP-150MC	150M	15μ H± 20%	104(80.3)	1.24	31.7	4730-0070
06	CD73NP-150MB						4730-0091
07	CD73NP-180MC	180M	18μ H± 20%	111(85.0)	1.12	28.1	4730-0071
08	CD73NP-180MB						4730-0092
09	CD73NP-220MC	220M	22μ H± 20%	129(99.2)	1.07	26.3	4730-0072
10	CD73NP-220MB						4730-0093
11	CD73NP-270MC	270M	27μ H± 20%	153(118)	0.94	23.7	4730-0073
12	CD73NP-270MB						4730-0094
13	CD73NP-330MC	330M	33μ H± 20%	170(131)	0.85	21.3	4730-0074
14	CD73NP-330MB						4730-0095
15	CD73NP-390MC	390M	39μ H± 20%	217(167)	0.74	17.4	4730-0076
16	CD73NP-390MB						4730-0096
17	CD73NP-470MC	470M	47μ H± 20%	252(194)	0.68	15.5	4730-0077
18	CD73NP-470MB						4730-0098
19	CD73NP-560KC	560K	56μ H± 10%	282(217)	0.64	13.5	4730-0078
20	CD73NP-560KB						4730-0099
21	CD73NP-680KC	680K	68μ H± 10%	332(255)	0.59	11.9	4730-0079
22	CD73NP-680KB						4730-0100
23	CD73NP-820KC	820K	82μ H± 10%	406(312)	0.54	11.4	4730-0080
24	CD73NP-820KB						4730-0101
25	CD73NP-101KC	101K	100μ H± 10%	481(370)	0.51	10.5	4730-0081
26	CD73NP-101KB						4730-0102
27	CD73NP-121KC	121K	120μ H± 10%	536(412)	0.49	9.8	4730-0082
28	CD73NP-121KB						4730-0103
29	CD73NP-151KC	151K	150μ H± 10%	755(581)	0.40	8.5	4730-0083
30	CD73NP-151KB						4730-0104
31	CD73NP-181KC	181K	180μ H± 10%	1022(786)	0.36	7.9	4730-0084
32	CD73NP-181KB						4730-0105
33	CD73NP-221KC	221K	220μ H± 10%	1200(923)	0.31	7.1	4730-0085
34	CD73NP-221KB						4730-0106
35	CD73NP-271KC	271K	270μ H± 10%	1306(1045)	0.29	6.2	4730-0087
36	CD73NP-271KB						4730-0107
37	CD73NP-331KC	331K	330μ H± 10%	1495(1196)	0.28	5.6	4730-0088
38	CD73NP-331KB						4730-0109

1:

(1) : CD73NP-XXXXC

(2) : CD73NP-XXXXB

2 10μ H 82μ H at 2.52 MHz
100μ H 330μ H at 1 kHz

3 ()

4

10%

(Ta 20)

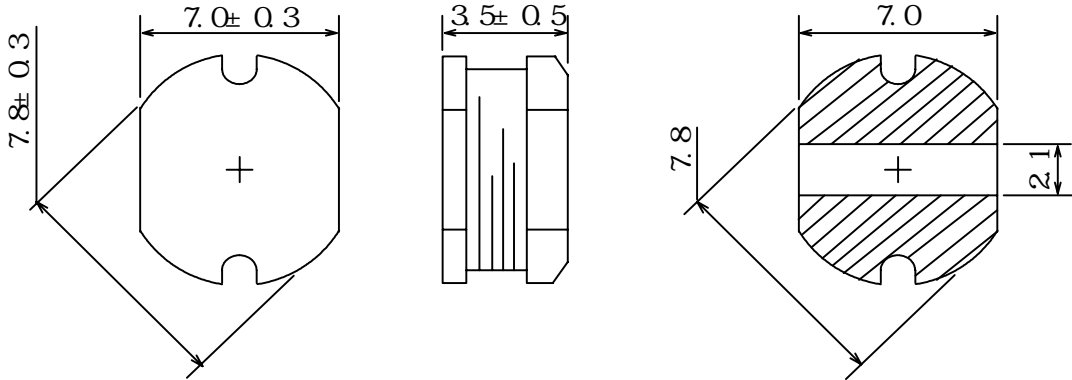
3. 保存温度範囲 -30℃～+100℃

使用温度範囲 -30℃～+100℃ (コイルの発熱を含む。)



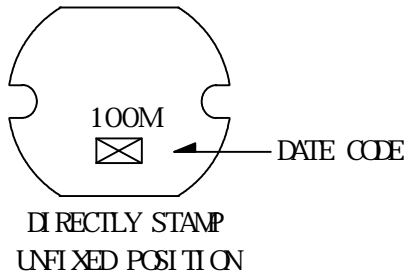
APPEARANCE

1-1 DIMENSIONS(mm)

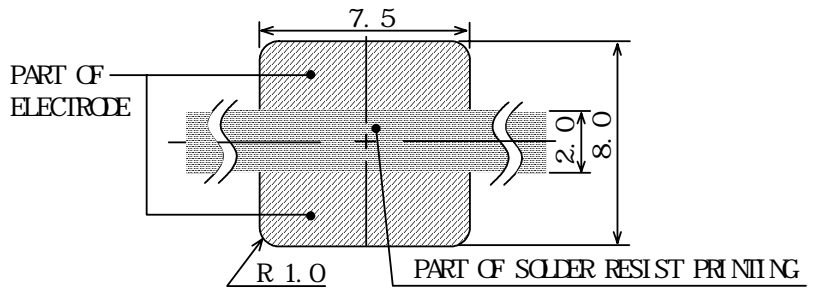


DIMENSIONS WITHOUT TOLERANCE ARE APPROX

1-2 STAMP (E.G.)



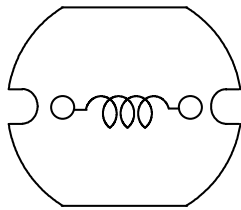
1-3 RECOMMENDED LAND PATTERNS DIMENSIONS()



PLEASE COAT WITH SOLDER RESIST PRINTING BETWEEN THE TWO ELECTRODES.

COIL SPECIFICATION

2-1 CONNECTION (BOTTOM VIEW)



RoHS	
compliance	
Cd: Max. 0.01wt %	
others: Max. 0.1wt %	



2-2 ELECTRICAL CHARACTERISTICS

NO	PART NO 1	STAMP	INDUCTANCE WITHIN 2	D.C.R (m Ω) [MAX] (at 20 $^{\circ}$ C) 3	RATED CURRENT () 4	S. R. F. (MHz) (TYP.)	SUMIDA CODE
01	CD73NP-100MC	100M	10 μ H \pm 20%	80.3(61.8)	1.44	38.7	4730-0068
02	CD73NP-100MB						4730-0089
03	CD73NP-120MC	120M	12 μ H \pm 20%	89.7(69.0)	1.39	34.8	4730-0069
04	CD73NP-120MB						4730-0090
05	CD73NP-150MC	150M	15 μ H \pm 20%	104(80.3)	1.24	31.7	4730-0070
06	CD73NP-150MB						4730-0091
07	CD73NP-180MC	180M	18 μ H \pm 20%	111(85.0)	1.12	28.1	4730-0071
08	CD73NP-180MB						4730-0092
09	CD73NP-220MC	220M	22 μ H \pm 20%	129(99.2)	1.07	26.3	4730-0072
10	CD73NP-220MB						4730-0093
11	CD73NP-270MC	270M	27 μ H \pm 20%	153(118)	0.94	23.7	4730-0073
12	CD73NP-270MB						4730-0094
13	CD73NP-330MC	330M	33 μ H \pm 20%	170(131)	0.85	21.3	4730-0074
14	CD73NP-330MB						4730-0095
15	CD73NP-390MC	390M	39 μ H \pm 20%	217(167)	0.74	17.4	4730-0076
16	CD73NP-390MB						4730-0096
17	CD73NP-470MC	470M	47 μ H \pm 20%	252(194)	0.68	15.5	4730-0077
18	CD73NP-470MB						4730-0098
19	CD73NP-560KC	560K	56 μ H \pm 10%	282(217)	0.64	13.5	4730-0078
20	CD73NP-560KB						4730-0099
21	CD73NP-680KC	680K	68 μ H \pm 10%	332(255)	0.59	11.9	4730-0079
22	CD73NP-680KB						4730-0100
23	CD73NP-820KC	820K	82 μ H \pm 10%	406(312)	0.54	11.4	4730-0080
24	CD73NP-820KB						4730-0101
25	CD73NP-101KC	101K	100 μ H \pm 10%	481(370)	0.51	10.5	4730-0081
26	CD73NP-101KB						4730-0102
27	CD73NP-121KC	121K	120 μ H \pm 10%	536(412)	0.49	9.8	4730-0082
28	CD73NP-121KB						4730-0103
29	CD73NP-151KC	151K	150 μ H \pm 10%	755(581)	0.40	8.5	4730-0083
30	CD73NP-151KB						4730-0104
31	CD73NP-181KC	181K	180 μ H \pm 10%	1022(786)	0.36	7.9	4730-0084
32	CD73NP-181KB						4730-0105
33	CD73NP-221KC	221K	220 μ H \pm 10%	1200(923)	0.31	7.1	4730-0085
34	CD73NP-221KB						4730-0106
35	CD73NP-271KC	271K	270 μ H \pm 10%	1306(1045)	0.29	6.2	4730-0087
36	CD73NP-271KB						4730-0107
37	CD73NP-331KC	331K	330 μ H \pm 10%	1495(1196)	0.28	5.6	4730-0088
38	CD73NP-331KB						4730-0109

1: PART NO. DESCRIPTION

(1) IN CASE OF REEL PACKING: CD73NP-XXXXC

(2) IN CASE OF BOX PACKING: CD73NP-XXXXB

2: MEASURED FREQUENCY 10 μ H 82 μ H at 2.52 MHz
 100 μ H 330 μ H at 1 kHz

3: () TYPICAL VALUE

4: THIS INDICATES THE VALUE OF CURRENT WHEN THE INDUCTANCE IS 10% LOWER THAN ITS INITIAL VALUE AT D.C. SUPERPOSITION OR D.C. CURRENT WHEN T=40 $^{\circ}$ C WHICHEVER IS LOWER (Ta=20 $^{\circ}$ C)

3. STORAGE TEMPERATURE RANGE : -30 $^{\circ}$ C ~ +100 $^{\circ}$ C

OPERATING TEMPERATURE RANGE: -30 $^{\circ}$ C ~ +100 $^{\circ}$ C (INCLUDING COIL'S SELF TEMPERATURE RISE)

