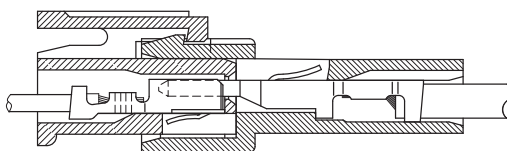
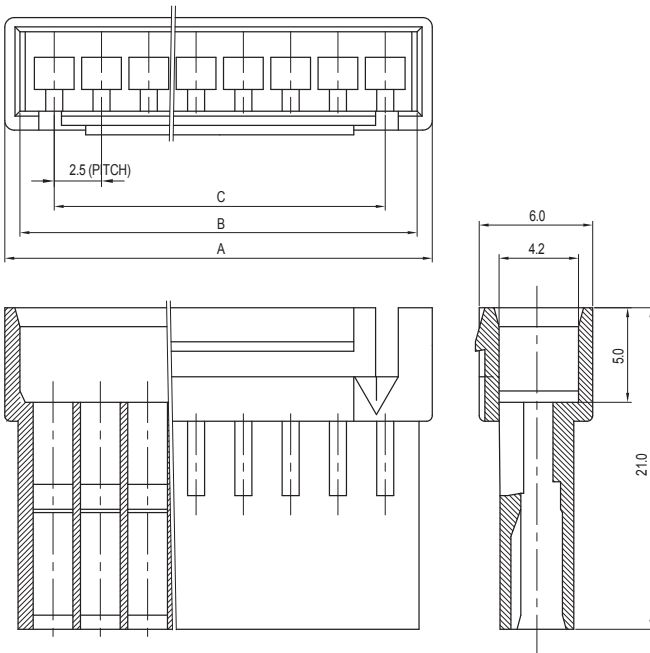
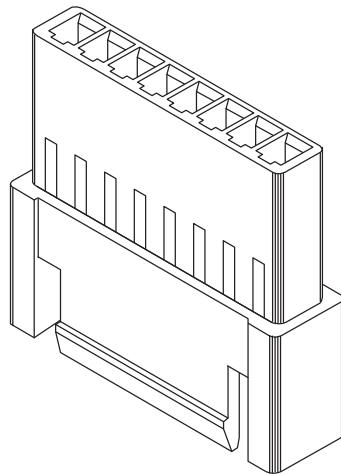


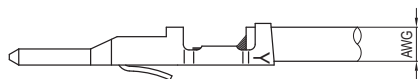
2.50mm (0.098") PITCH CONNECTOR

Wire-to-Wire
Plug

SMP250L Series



TERMINAL ASSEMBLY DRAWING



AWG : #22 ~ #28

Material

I/NO	DESCRIPTION	TITLE	MATERIAL
1	PLUG	SMP250L-NN	PA66, UL94 V Grade

Available Pin

PARTS NO.	DIM. A	DIM. B	DIM. C
SMP250L-02	7.8	5.7	2.5
SMP250L-03	10.3	8.2	5.0
SMP250L-04	12.8	10.7	7.5
SMP250L-05	15.3	13.2	10.0
SMP250L-06	17.8	15.7	12.5
SMP250L-07	20.3	18.2	15.0
SMP250L-08	22.8	20.7	17.5
SMP250L-09	25.3	23.2	20.0
SMP250L-10	27.8	25.7	22.5
SMP250L-11	30.3	28.2	25.0
SMP250L-12	32.8	30.7	27.5
SMP250L-13	35.3	33.2	30.0
SMP250L-14	37.8	35.7	32.5
SMP250L-15	40.3	38.2	35.0

Specification

ITEM	SPEC
Voltage Rating	AC/DC 250V
Current Rating	AC/DC 3A
Operating Temperature	-25°C ~ +85°C
Contact Resistance	30mΩ MAX
Withstanding Voltage	AC1000V/1min
Insulation Resistance	1000MΩ MIN
Applicable Wire	AWG #22~#28
Applicable P.C.B	-
Applicable FPC/FFC	-
Solder Height	-
Crimp Tensile Strength	-
UL FILE NO	-

Application Terminal : SMT025 (149 page)