

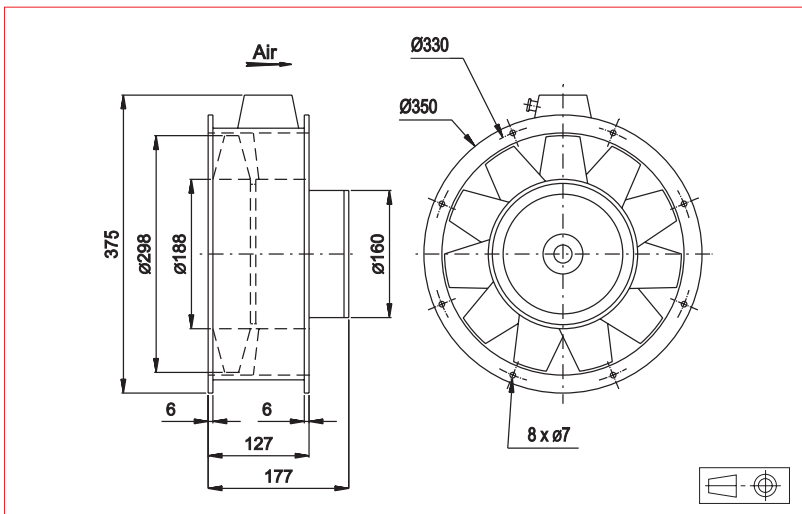


Approvals

CE, NATO codification

Life expectancy

L-10 LIFE AT 40°C:
25 000 hours

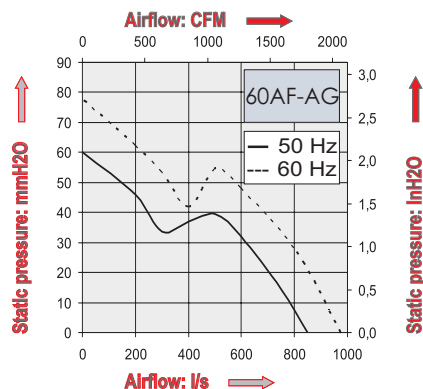


AC Motor

Housing material:
Impeller material:
Weight: 13 kg
Bearing system: ball bearings

Available with:

- Safety switch



Part Number	Nominal voltage	Airflow	Noise level	Nominal speed	Frequency	Phases	Capacitor (not included)	Input power	Nominal Current	Starting Current	Connection type		Operating temperature	
	V	l/s	dB(A)	RPM	Hz		µF	W	mA	mA	Leads	Terminals	Min. °C	Max. °C
60AF026DC13	220	850	82	2900	50	3		385	1700	14000		X	-10	70
	380	850	82	2900	50	3		385	1000	8100		X	-10	70
	220	975	86	3350	60	3		555	1800	12200		X	-10	70
	380	975	86	3350	60	3		555	1050	7100		X	-10	70
60AG0261C13	127	850	82	2900	50	1		445	4450	25000		X	-10	70
	220	850	82	2900	50	1		445	2550	14500		X	-10	70
	127	975	86	3350	60	1		580	4700	14500		X	-10	70
	220	975	86	3350	60	1		580	2700	13000		X	-10	70

Additional versions:

Salt spray protected - Shock and vibration protected - Marine specifications
Wide temperature range - Other voltages (consult factory)

Accessories:

Refer to Accessories leaflet