

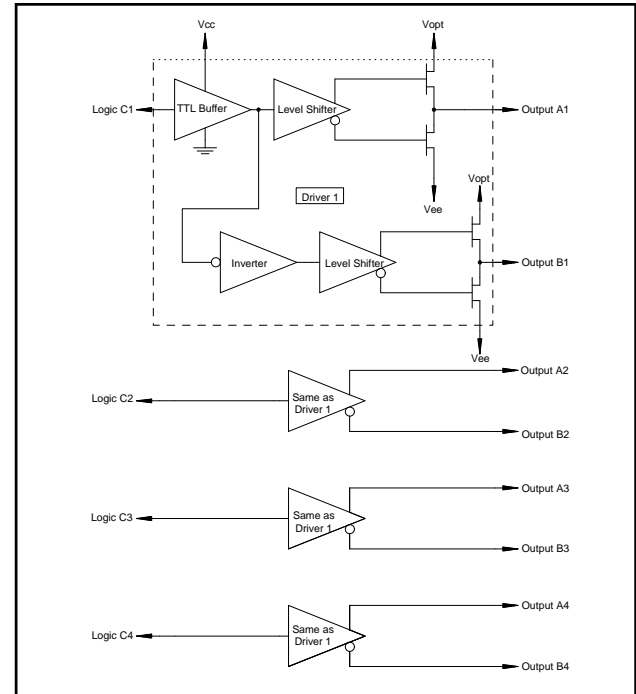
Features

- High Speed CMOS Technology
- Quad Channel
- Positive Voltage Control
- Low Power Dissipation
- Low Cost Plastic SOIC-16 Package

Description

The SWD-119-PIN is a quad channel driver used to translate TTL control inputs into gate control voltages for GaAs FET microwave switches and attenuators. High speed analog CMOS technology is utilized to achieve low power dissipation at moderate to high speeds, encompassing most microwave switching applications. The output HIGH level is optionally 0 to +2.0V (relative to GND) to optimize the intermodulation products of the control devices at low frequencies.

Functional Schematic



Ordering Information

Part Number	Package
SWD-119-PIN	Bulk Packaging
SWD-119TR	1000 piece reel

Note: Reference Application Note M513 for reel size information.

Pin Configuration

Pin No.	Function	Pin No.	Function
1	Vee	9	Output A1
2	Vcc	10	Output B1
3	C4	11	Output A2
4	C3	12	Output B2
5	C2	13	Output A3
6	C1	14	Output B3
7	Vopt	15	Output A4
8	Ground	16	Output B4

Guaranteed Operating Ranges

Symbol	Parameter ¹	Unit	Min.	Typ.	Max.
V_{CC}	Positive DC Supply Voltage	V	4.5	5.0	5.5
V_{EE}	Negative DC Supply Voltage	V	-8.5	-5.0	-4.5
V_{OPT} ²	Optional DC Output Supply Voltage	V	0	1.0	2.0
$V_{OPT}-V_{EE}$	Negative Supply Voltage Range	V	4.5	6.5	8.5
$V_{CC}-V_{EE}$	Positive to negative Supply Range	V	9.0	10.0	14.0
T_A	Operating Ambient temperature	°C	-40	+25	+85
I_{OH}	DC Output Current - High	mA	—	—	-1.0
I_{OL}	DC Output Current - Low	mA	—	—	1.0
T_{rise}, T_{fall}	Maximum Input Rise or Fall Time	nS	—	—	500

1. All voltages are relative to GND.

2. V_{OPT} is grounded for most applications. To improve the intermodulation performance and the 1 dB compression point of GaAs control devices at low frequencies, V_{OPT} can be increased to between 1.0 and 2.0V. The nonlinear characteristics of the GaAs control devices will approximate performance at 500 MHz. It should be noted that the control current that is on the GaAs MMICs will increase when positive controls are applied.

DC Characteristics over Guaranteed Operating Range

Symbol	Parameter	Test Conditions		Units	Min.	Typ.	Max.
V_{IH}	Input High Voltage	Guaranteed High Input Voltage		V	2.0	—	—
V_{IL}	Input Low Voltage	Guaranteed Low Input Voltage		V	—	—	0.8
V_{IH}	Output High Voltage	$I_{OH} = -1$ mA	$V_{EE} = \text{Max}$	V	$V_{OPT} - 0.1$	—	—
V_{OL}	Output Low Voltage	$I_{OL} = 1$ mA	$V_{EE} = \text{Max}$	V	—	—	$V_{EE} + 0.1$
I_{IN}	Input Leakage Current	$V_{IN} = V_{CC}$ or GND	$V_{EE} = \text{Min}$	μA	-1.0	0	1.0
I_{CC}	Quiescent Supply Current	$V_{CC} = \text{Max}$ $V_{OPT} = \text{Min}$ or Max	$V_{EE} = \text{Min}$ $V_{IN} = V_{CC}$ or GND	μA	—	250	400
ΔI_{CC}	Additional Supply Current, per TTL Input pin	$V_{CC} = \text{Max}$	$V_{IN} = V_{CC} - 2.1V$	mA	—	—	1.0

Handling Procedures

Please observe the following precautions to avoid damage:

Static Sensitivity

Silicon Integrated Circuits are sensitive to electrostatic discharge (ESD) and can be damaged by static electricity. Proper ESD control techniques should be used when handling these devices.

Truth Table

Input	Outputs	
	A	B
Logic "0"	V_{EE}	V_{OPT}
Logic "1"	V_{OPT}	V_{EE}

AC Characteristics Over Guaranteed Operating Range ³

Symbol	Parameter	-55 to +25°C	≤+85°C	≤+125°C	Unit
T _{PLH}	Propagation Delay	22	25	30	nS
T _{PHL}	Propagation Delay	22	25	30	nS
T _{TLH}	Output Rising Transition Time	9.0	9.0	9.0	nS
T _{THL}	Output Falling Transition Time	8.0	8.0	8.0	nS
T _{skew}	Delay Skew, Output A to Output B	4.0	4.0	4.0	nS
C _{IN}	Input Capacitance	10	10	10	pF
C _{PDC}	Power Dissipation Capacitance ⁴	10	10	10	pF
C _{PDE}	Power Dissipation Capacitance ⁴	140	140	140	pF

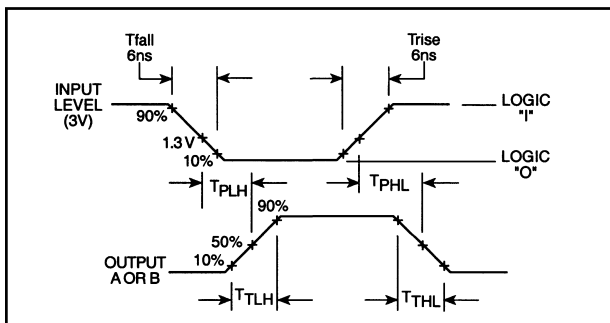
3. V_{CC} = 4.5V, V_{OPT} - V_{EE} = min or max, V_{OPT} = 0V, C_L = 25 pF, Trise, Tfall = 6nS. These conditions represent the worst case for slow delays.

4. Total Power Dissipation is calculated by the following formula: PD = V_{CC}² fC_{PDC} + (V_{OPT}-V_{EE})² fC_{PDE}

Absolute Maximum Ratings⁵

Symbol	Parameter	Min	Max	Unit
V _{CC}	Positive DC Supply Voltage	-0.5	7.0	V
V _{EE}	Negative DC Supply Voltage	-9.0	0.5	V
V _{OPT}	Optional DC Output Supply Voltage	-0.5	V _{CC} +0.5	V
V _{OPT} -V _{EE}	Output to Negative Supply Voltage Range	-0.5	9.0	V
V _{CC} -V _{EE}	Positive to Negative Supply Voltage Range	-0.5	14.5	V
V _I	DC Input Voltage	-0.5	V _{CC} +0.5	V
I _I	DC Input Current	-25	25	mA
V _O	DC Output Voltage	V _{EE} -0.5	V _{OPT} +0.5	V
P _D ⁶	Power Dissipation in Still Air	—	500	mW
T _{STG}	Storage Temperature	-65	150	°C

Switching Waveforms



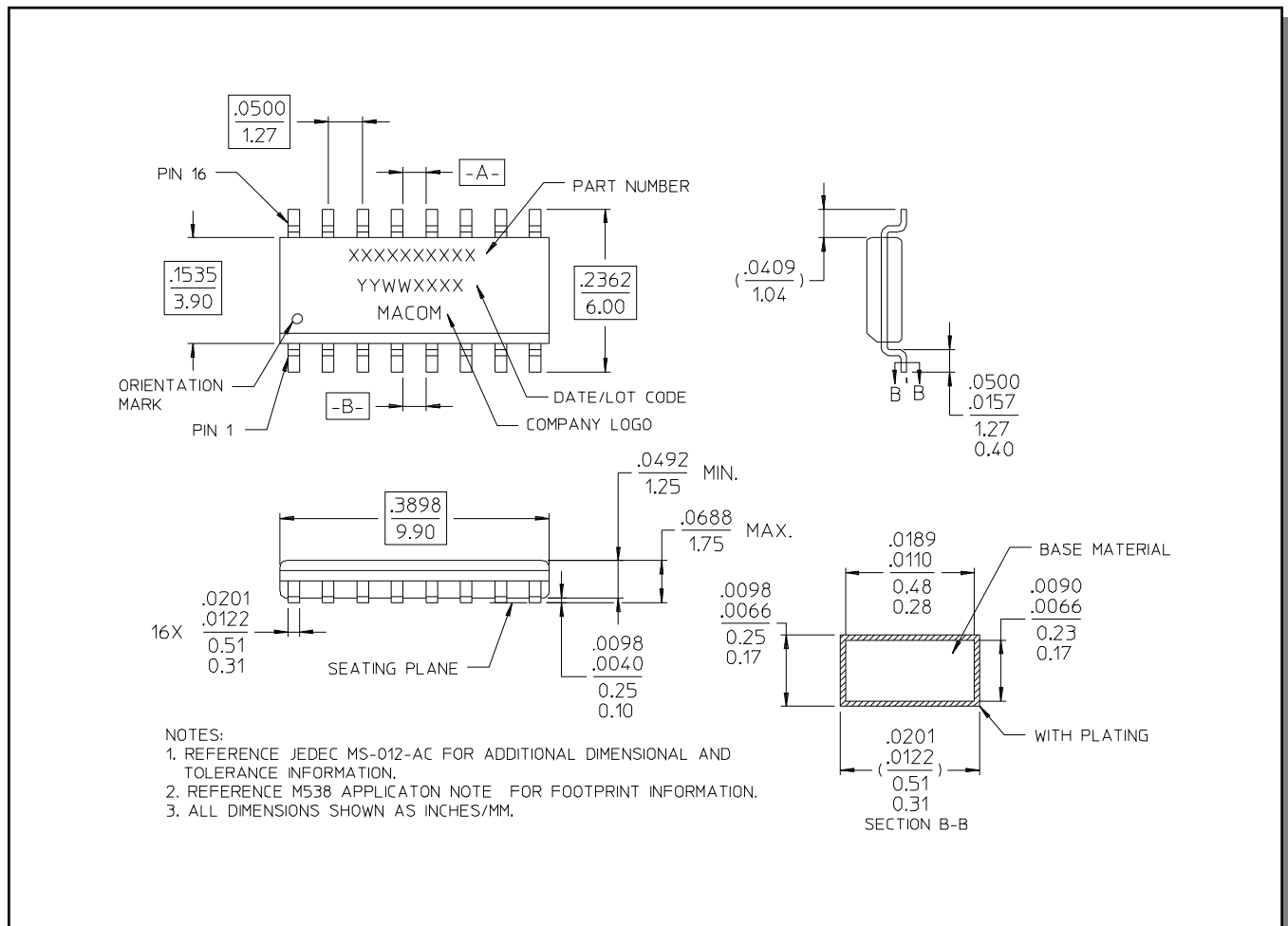
- All voltages are referenced to GND. All inputs and outputs incorporate latch-up protection structures.
- Derate -7 mW/°C from 65°C to 85°C.

SWD-119-PIN

Quad Driver for GaAs FET Switches and Attenuators

Rev. V7

SOIC-16[†]



[†] Reference Application Note M538 for lead-free solder reflow recommendations.