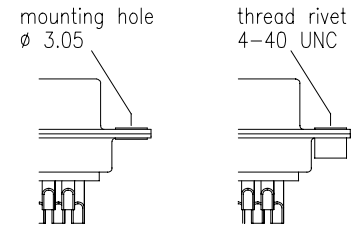
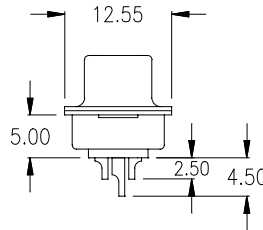
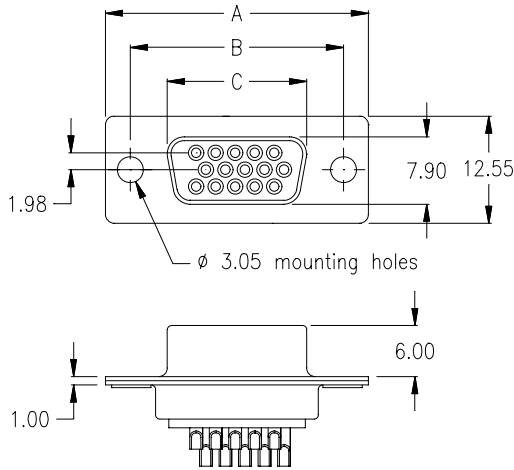


SH Series - High Density D-Sub

S101 solder cup type



female



No. of contacts	Dimension		
	A	B	C
015	30.81	24.99	16.33
	1.213	.984	.643
026	39.14	33.32	24.66
	1.541	1.312	.971
044	53.04	47.04	38.38
	2.088	1.852	1.511
062	69.32	63.50	54.84
	2.729	2.500	2.159

Option:

TO T

Ordering Code

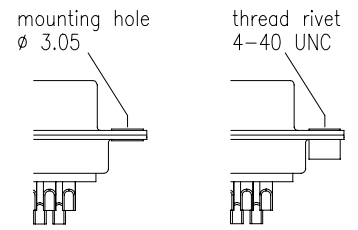
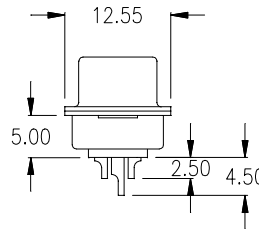
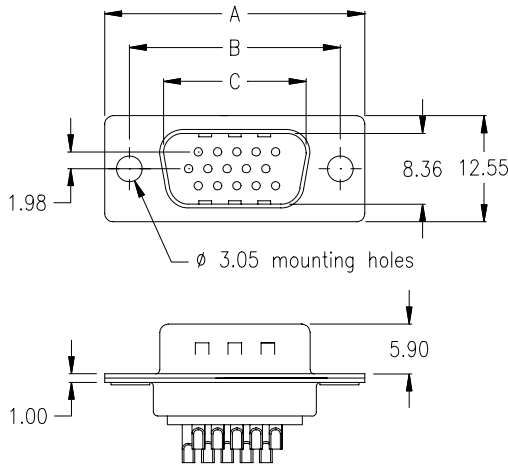
SHF - xxx - S101 - 95 / XX

No. of contacts Option

General Specification page 72

Plating: -95 = tin(leadfree)/gold

male



No. of contacts	Dimension		
	A	B	C
015	30.81	24.99	16.92
	1.213	.984	.666
026	39.14	33.32	25.25
	1.541	1.312	.994
044	53.04	47.04	38.96
	2.088	1.852	1.534
062	69.32	63.50	55.42
	2.729	2.500	2.182

Option:

TO T

Ordering Code

SHM - xxx - S101 - 95 / XX

No. of contacts Option

General Specification page 72

Plating: -95 = tin(leadfree)/gold