



STANDARD  
MICROSYSTEMS  
CORPORATION

COM81C17

## Twenty Pin UART (TPUART)

### FEATURES

- ! Single Chip UART With Baud Rate Generator
- ! Asynchronous Operation
  - 16 Selectable Baud Rate Clock Frequencies (Internal)
  - External 16x Clock (100 KBaud)
  - Character Length: 7 or 8 Bits
  - 1 or 2 Stop Bit Selection
- ! Small 20 Pin DIP (300 mil) or PLCC
- ! Full or Half Duplex Operation
- ! Double Buffering of Data
- ! Programmable Interrupt Generation
- ! Programmable Modem/Terminal Signals
- ! Odd or Even Parity Generate and Detect
- ! Parity, Overrun and Framing Error Detection
- ! TTL Compatible Inputs and Outputs
- ! High Speed Host Bus Operation (with no wait state)
- ! Low Power CMOS
- ! Single +5V Power Supply

### GENERAL DESCRIPTION

The COM81C17 TPUART is an asynchronous only receiver/transmitter with a built in programmable baud rate generator housed in a twenty pin package. The TPUART receives serial data streams and converts them into parallel data characters for the processor. While receiving serial data, the TPUART will also accept data characters from the processor in parallel format and convert them into serial

format along with start, stop and optional parity bus. The TPUART will signal the processor via interrupt when it has completely transmitted or received a character and requires service. Complete status information is available to the processor through the status register. The TPUART features two general purpose control pins that can be individually programmed to perform as terminal or modem control handshake signals.

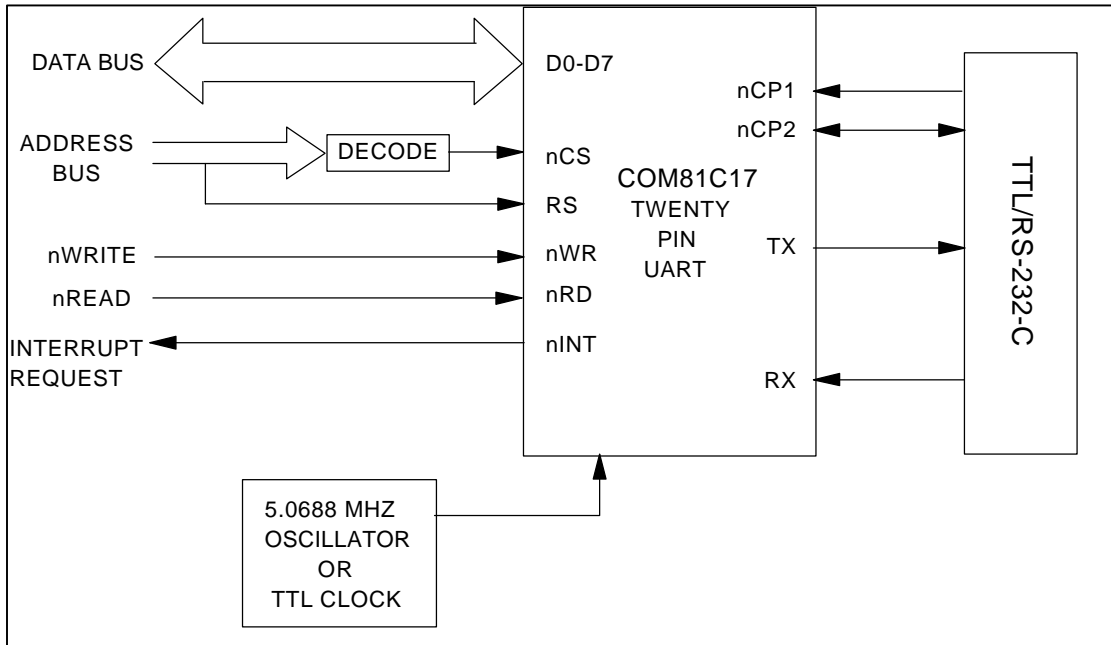
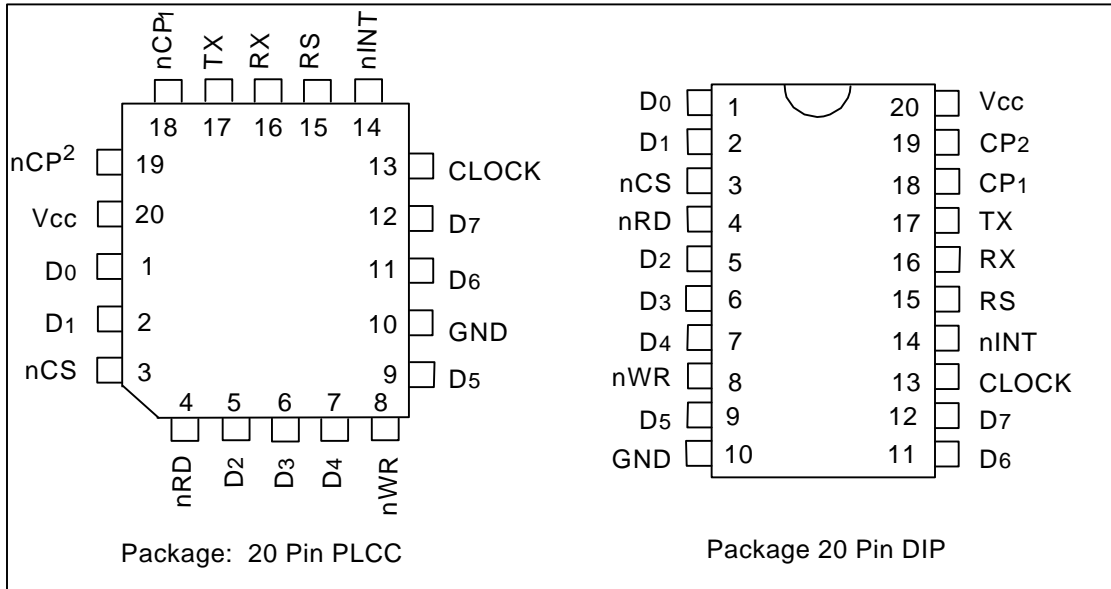
## TABLE OF CONTENTS

FEATURES .....	1
GENERAL DESCRIPTION.....	1
PIN CONFIGURATION/TYPICAL TPUART INTERFACE.....	3
BLOCK DIAGRAM.....	4
DESCRIPTION OF PIN FUNCTIONS .....	5
FUNCTIONAL DESCRIPTION .....	6
THE ON CHIP BAUD RATE GENERATOR.....	7
REGISTER DESCRIPTIONS .....	8
OPERATIONAL DESCRIPTION.....	12

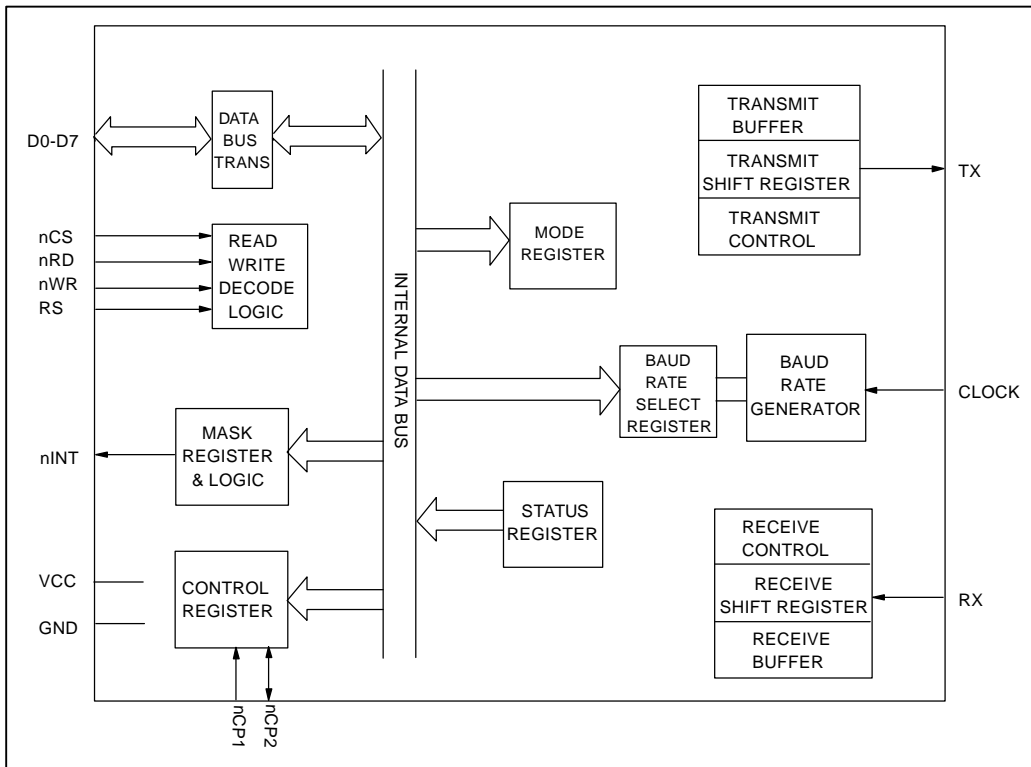
**sm<sub>s</sub>c™**

80 Arkay Drive  
Hauppauge, NY 11788  
(516) 435-6000  
FAX (516) 273-3123

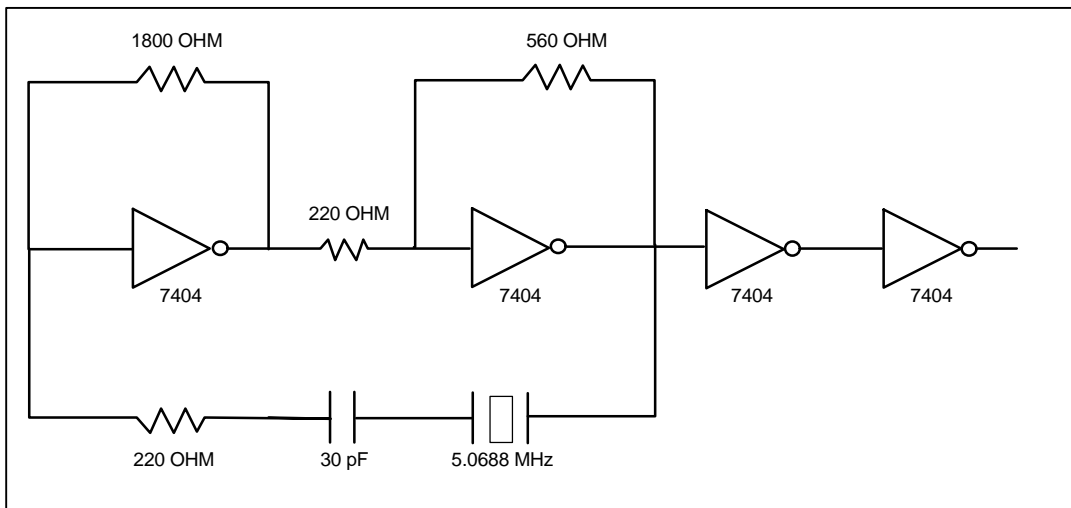
## PIN CONFIGURATION



**FIGURE 1 – TYPICAL TPUART INTERFACE**



**FIGURE 2 – COM81C17 BLOCK DIAGRAM**



**FIGURE 2A – 5.0688 MHz CRYSTAL OSCILLATOR CIRCUIT**

### DESCRIPTION OF PIN FUNCTIONS

DIP PIN NO.	NAME	SYMBOL	DESCRIPTION
1, 2, 5-7, 9,11-12	DATA BUS	D <sub>0</sub> -D <sub>7</sub>	An 8-bit bi-directional DATA BUS is used to interface the TPUART to the processor Data Bus.
3	CHIP SELECT	nCS	A low level on this input enables the TPUART for reading and writing to the processor. When nCS is high, the DATA BUS is in high impedance and the nWR and nRD will have no effect on the chip.
4	READ DATA STROBE	nRD	A low pulse on this input (when nCS is low) enables the TPUART to place the data or the status information on the DATA BUS.
8	WRITE DATA STROBE	nWR	A low pulse on this input (when nCS is low) enables the TPUART to accept the data or control word from the DATA BUS into the TPUART.
10	GROUND	GND	Power Supply Return.
13	CLOCK	CLK	External TTL Clock Input (See Table 2)
14	INTERRUPT REQUEST	nINT	An interrupt request is asserted by the TPUART when an enabled condition has occurred in the Status Register. This is an active low, open drain output. This pin has an internal pullup register.
15	REGISTER SELECT	RS	During processor to TPUART communications, this input is used to indicate which internal register will be selected for access by the processor. When this input is low, data can be written to the TX Holding Buffer or data can be read from the RX Holding Register. When this input is high control words can be written to the Control Register or status information can be read from the Status Register.
16	RECEIVER DATA	RX	This input is the receiver serial data. A high to low transition is required to initiate data reception.
17	TRANSMITTER DATA	TX	This output is the transmitted serial data from the TPUART. When a transmission is concluded, the TX line will always return to the mark (High) state.
18	CONTROL PIN 1	nCP1	This control pin is an input only pin. It can be programmed to perform the functions of CTS or DSR/DCD.
19	CONTROL PIN 2	nCP2	This control pin can be programmed to be either an input or an output. When in input mode, this pin can perform the functions of DSR/DCD. When in output mode, this pin can perform the functions of DTR or RTS.
20	POWER SUPPLY	V <sub>CC</sub>	+5V Supply Voltage

## FUNCTIONAL DESCRIPTION

### RESETTING THE TPUART

The TPUART must be reset on power up. Since there is no external pin allocated for hardware reset, this is accomplished by writing a One (HIGH) followed by writing a Zero (LOW) to the Command Register bit 7. Following reset, the TPUART enters an idle state in which it can neither transmit nor receive data.

### INITIALIZING THE TPUART

The TPUART is initialized by writing three control words from the processor. Only a single address is set aside for Mode, Baud Rate Select, Interrupt Mask and TX Buffer Registers. For this to be possible, logic internal to the chip directs information to its proper destination based on the sequence in which it was written.

Following internal reset, the first write to address zero (i.e. RS = 0) is interpreted as a Mode Control word. The second write is interpreted as Interrupt Mask word. The third write is interpreted as Baud Rate Select. The fourth and all subsequent writes are interpreted as writes to the TX Buffer Register.

There is one way in which control logic may return to anticipating a Mode, Interrupt Mask, and Baud Rate Select words. This is following an internal reset. Following initialization, the TPUART is ready to communicate.

### PROGRAMMABLE CONTROL PINS

The TPUART provides two programmable control pins that can be configured to perform as modem or terminal control handshake signals. If no handshake signal is required, these pins can be used as general purpose one bit Input or Output ports.

nCP1 - is an input only pin that can be programmed to act as the CTS (Clear To Send) handshake signal, where it will disable data transmission by the TPUART after the contents of the Transmit Shift Register is completely flushed out. When programmed as 1, nCP1 will serve as a general purpose 1 bit input port. The inverted state will be reflected in Status Register bit 0 (when programmed as CTS or general purpose input bit).

nCP2 - is an Input/Output pin. When configured as Output, its state is directly controlled by the host processor via writes to the Control Register. This will serve the purpose of modem and terminal handshake signals as RTS (Reset To Send), and DTR (Data Terminal Ready). When configured as Input, its inverted state is reflected in the Status Register bit 1 and read by the processor. This will serve the purpose of handshake signals as DCD (Data Carrier Detect) and DSR (Data Set Ready).

MODE REGISTER		
BIT 1	BIT 2	
0	0	nCP2 is RTS Output
0	1	nCP2 is GP Output
1	X	nCP2 is GP Input
1	X	nCP2 is GP Input

## THE ON CHIP BAUD RATE GENERATOR

The TPUART incorporates an on chip Baud Rate Generator that can be programmed to generate sixteen of the most popular baud rates. The TPUART also allows the bypassing of the Baud Rate Generator by programming Mode

Register bit 3 to accept a 16X external clock. The Baud Rate Generator will not assume any given baud rate upon power up, therefore it must be programmed as desired. The following chart is based on a 5.0688 MHz CLOCK frequency.

**Table 2 - 16X CLOCK**  
**Clock Frequency = 5.0688 MHz**

Baud Rate Select Register				Baud Rate	Theoretical Frequency 16X Clock	Actual Frequency 16X Clock	Percent Error	Duty Cycle %	Divisor
D <sub>3</sub>	D <sub>2</sub>	D <sub>1</sub>	D <sub>0</sub>						
0	0	0	0	50	0.8 kHz	0.8 kHz		50/50	6336
0	0	0	1	110	1.76	1.76		50/50	2880
0	0	1	0	134.5	2.152	2.1523	0.016	50/50	2356
0	0	1	1	150	2.4	2.4		50/50	2112
0	1	0	0	300	4.8	4.8		50/50	1056
0	1	0	1	600	9.6	9.6		50/50	528
0	1	1	0	1200	19.2	19.2		50/50	264
0	1	1	1	1800	28.8	28.8		50/50	176
1	0	0	0	2000	32.0	32.081	0.253	50/50	158
1	0	0	1	2400	38.4	38.4		50/50	132
1	0	1	0	3600	57.6	57.6		50/50	88
1	0	1	1	4800	76.8	76.8		50/50	66
1	1	0	0	7200	115.2	115.2		50/50	44
1	1	0	1	9600	153.6	153.6		48/52	33
1	1	1	0	19.200	307.2	316.8	3.125	50/50	16
1	1	1	1	38.400	614.4	633.6	3.125	50/50	8

**REGISTER DESCRIPTIONS**  
**Table 3 - COM81C17 Mode Register Description (Bits 0 - 7)**

BIT	DESCRIPTION
0	<p><b>CP1</b> - The Mode Register bit 0 determines whether the CP1 pin will be configured to provide the function of CTS or will serve as a general purpose 1 bit input port. In either case, its state will be reflected in Status Register bit 0.</p> <p>0 → nCP1 = CTS            1 → nCP1 = GP INPUT</p>
1	<p><b>CP2 I/O</b> - The Mode Register bit 1 determines whether the CP2 pin will be configured as a general purpose 1 bit output port or will serve as a general purpose 1 bit input port. When used as an input, its state is reflected in the Status Register bit 1. When used as an output, it's state is controlled by the processor via the Control Register bit 1.</p> <p>0 → nCP2 = OUTPUT            1 → nCP2 = INPUT</p>
2	<p><b>CP2</b> - The mode register bit 2 determines whether the nCP2 pin will be configured to provide the function of RTS or will serve as a general purpose 1 bit output port.</p> <p>0 → nCP2 = RTS            1 → nCP2 = GP OUTPUT</p>
3	<p><b>CLOCK SELECT</b>- The Mode Register bit 3 determines whether the internal Baud Rate Generator will supply the TX and RX clocks or the clock on the clock pin will be used as a 16X clock. The Baud Rate Select Register contents will be bypassed when an external 16X clock is used.</p> <p>0 = INTERNAL CLOCK            1 = EXTERNAL CLOCK (16X)</p>
4	<p><b>PARITY ENABLE</b> - The Mode Register bit 4 determines whether parity generation and checking will be enabled.</p> <p>0 = PARITY DISABLE            1 = PARITY ENABLE</p>
5	<p><b>PARITY</b> - The Mode Register bit 5 determines whether odd or even parity will be generated and checked.</p> <p>0 = EVEN PARITY            1 = ODD PARITY</p>
6	<p><b>NUMBER OF DATA BITS</b> - The Mode Register bit 6 determines the number of data bit that will be presented in each data character (i.e. 7 or 8)</p> <p>0 = 7BITS PER CHARACTER            1 = 8 BITS PER CHARACTER</p>
7	<p><b>STOP BITS</b> - The Mode Register bit 7 determines how many stop bits will trail each data unit (i.e. 1 or 2)</p> <p>0 = 1 STOP BIT            1 = 2 STOP BITS</p> <p>A data frame will consist of a start bit, 7 or 8 data bits, an optional parity bit, and 1 or 2 stop bits.</p>



**Table 4 - COM81C17 Status Registers Description (Bits 0-7)**

<b>BIT</b>	<b>DESCRIPTION</b>
0	<b>CP1</b> - This reflects the inverted state of the control pin CP1.
1	<b>CP2</b> - This is active only when the nCP2 pin is programmed be to an input. It is set by its corresponding input pin and reflects the inverted state of the control pin nCP2. When the CP2 pin is programmed as an output, this bit is forced to a zero.
2	<b>TX SHIFT REGISTER EMPTY</b> - This signals the processor that the Transmit Shift Register is empty. A typical program will usually load the last character of a transmission and then monitor the TX SHIFT REGISTER EMPTY bit to determine when it is a safe time for disabling transmission. This bit is set when the Transmitter Shift Register has completed transmission of a character, and no new character has been loaded in the Transmit Buffer Register. This bit is also set by asserting internal reset. This bit is cleared by: A) Loading the TX Buffer Register
3	<b>PARITY ERROR</b> - This signals the processor that the character stored in the Receive Character Buffer was received with an incorrect number of binary "1" bits. This bit is set when the received character in the Receiver Buffer Register has an incorrect parity bit and parity has been enabled. This bit is cleared by: A) Setting Reset Errors in the Control Register B) Asserting internal reset
4	<b>OVERRUN ERROR</b> - This is set whenever a byte stored in the Receive Character Buffer is overwritten with a new byte from the Receive Shift Register before being transferred to the processor. This bit is cleared by: A) Setting Reset Errors in the Control Register B) Asserting internal reset
5	<b>FRAMING ERROR</b> - This is set whenever a byte in the Receive Character Buffer was received with an incorrect bit format ("0" stop bits). This bit is cleared by: A) Setting Reset Errors in the Control Register B) Asserting internal reset
6	<b>TX BUFFER EMPTY</b> - This signals the processor that the Transmit Buffer Register is empty and that the TPUART can accept a new character for transmission. This bit is set when: A) A character has been loaded from the Transmit Buffer Register to the Transmit Shift Register B) Asserting the TRANSMIT RESET bit in the Control Register C) Asserting internal reset  This bit is cleared by: A) Writing to the Transmit Buffer Register  This bit is initially set when the transmitter logic is enabled by setting the TX Enable bit in the Control Register (also TX Buffer is empty because of reset). Data can be overwritten if a consecutive write is performed while TX Buffer Empty is zero.

BIT	DESCRIPTION
7	<p><b>RX BUFFER FULL</b> - This signals the processor that a completed character is present in the Receive Buffer Register for transfer to the processor. This bit is set when a character has been loaded from the receive deserialization logic to the Receive Buffer Register. This bit is cleared by:</p> <p>A) Reading the Receive Buffer Register  B) Asserting the RECEIVER RESET bit in the Control Register  C) Asserting internal reset</p>

**Table 5 – COM81C17 CONTROL REGISTER DESCRIPTION (BITS 0-7)**

BIT	DESCRIPTION
0	Not used (test mode bit, must be zero).
1	<b>CP2</b> – This bit controls the nCP2 output pin. Data at the output is the logical compliment of the register data. When the CP2 bit is set, the nCP2 pin is forced low. When CP2 is RTS, a 1 to 0 transition of the CP2 bit will cause the nCP2 pin to go high one TXc time after the last serial bit has been transmitted.
2	<b>RX ENABLE</b> – This bit when reset will disable the setting of the RX BUFFER FULL bit in the Status Register which informs the processor of the availability of a received character in the Receive Buffer Register. The error bits in the Status Register will be cleared and will remain cleared when RX is disabled.
3	<b>RX RESET</b> – This will reset the receiver block only.
4	<b>TX RESET</b> – This will reset the transmitter block only.
5	<b>TX ENABLE</b> – Data transmission cannot take place by the TPUART unless this bit is set. When this bit is reset (disable), transmission will be disabled only after the previously written data has been transmitted.
6	<b>RESET ERRORS</b> – This bit when set will reset the parity, overrun, and framing error bits in the Status Register. No latch is provided in the Control Register for saving this bit; therefore there is no need to clear it (error reset = d6.RS.nWR).
7	<b>INTERNAL RESET</b> – This bit enables the resetting of the internal circuitry and initializes access to address 0 to be sequential.

## INTERRUPT MASK REGISTER DESCRIPTION

This is an eight bit write only register which is loaded by the processor. These bits are used to enable interrupts from the corresponding bits in the Status Register. This register is reset with internal reset.

## REGISTER DECODE & TRUTH TABLE

The TPUART provides unique decode capability to three of the seven internal processor accessible register. These are the RX Buffer Register (read only), the Status Register (read only) and the Control Register (write only). The other four registers (write only) are decoded in a sequential manner following reset. Refer to table below:

**Table 6 - DECODE TRUTH TABLE**

RS	nRD	nWR	nCS	
0	0	1	0	READ RX BUFFER REGISTER
0	1	0	0	WRITE TO TX BUFFER REGISTER
1	0	1	0	READ STATUS REGISTER
1	1	0	0	WRITE TO CONTROL REGISTER
X	X	X	1	DATA BUS IN TRI STATE

The first write to address zero (RS = 0) will access the Mode Register, the second will access the Interrupt Mask Register, the third will access the Baud Rate Select Register, the fourth and all subsequent writes will access the TX Buffer Register.

Following reset, the decode sequence of writes to address 0 is as follows:

- RS0 - Selects the Mode Control Register
- RS1 - Selects the Interrupt Mask Register
- RS2 - Selects the Baud Rate Select Register
- RS3 - Selects the TX Buffer Register

**Table 7 - INTERNAL REGISTER SELECT**

RS0	RS1	RS2	RS3	
0	1	1	1	AFTER RESET
1	0	1	1	AFTER FIRST WRITE
1	1	0	1	AFTER SECOND WRITE
1	1	1	0	AFTER THIRD WRITE
1	1	1	0	ALL SUBSEQUENT WRITES

## OPERATIONAL DESCRIPTION

### MAXIMUM GUARANTEED RATINGS\*

Operating Temperature Range.....	0°C to +70°C
Storage Temperature Range.....	-55° to +150°C
Lead Temperature Range (soldering, 10 seconds) .....	+325°C
Positive Voltage on any pin.....	V <sub>cc</sub> +0.3V
Negative Voltage on any pin, with respect to ground .....	-0.3V
Maximum V <sub>cc</sub> .....	+7V

\*Stresses above those listed above could cause permanent damage to the device. This is a stress rating only and functional operation of the device at any other condition above those indicated in the operation sections of this specification is not implied.

Note: When powering this device from laboratory or system power supplies, it is important that the Absolute Maximum Ratings not be exceeded or device failure can result. Some power supplies exhibit voltage spikes on their outputs when the AC power is switched on or off. In addition, voltage transients on the AC power line may appear on the DC output. If this possibility exists, it is suggested that a clamp circuit be used.

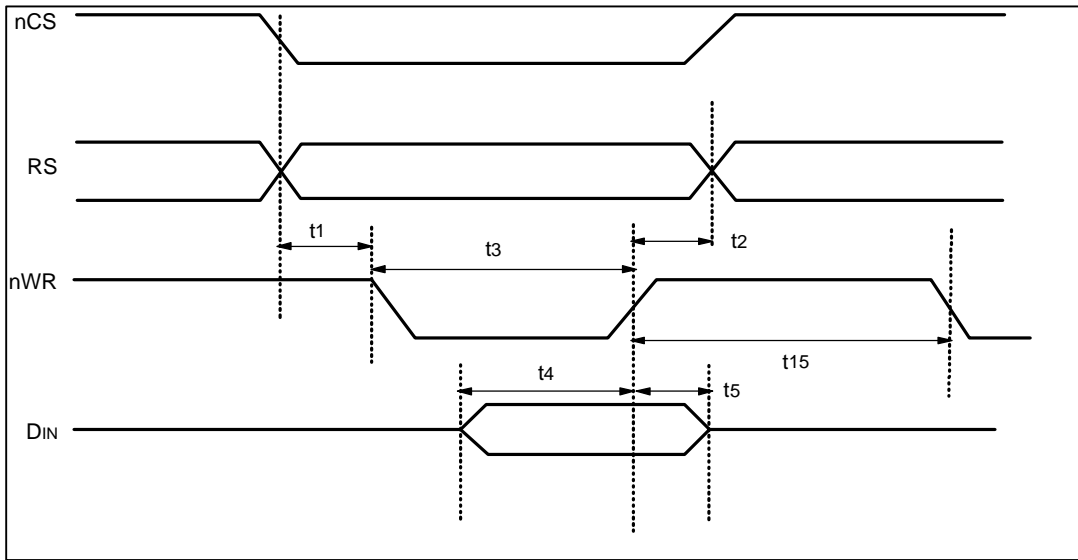
**Table 8 - ELECTRICAL CHARACTERISTICS**

T = 0°C to +70°C, V<sub>CC</sub> = +5.0V ± 5%

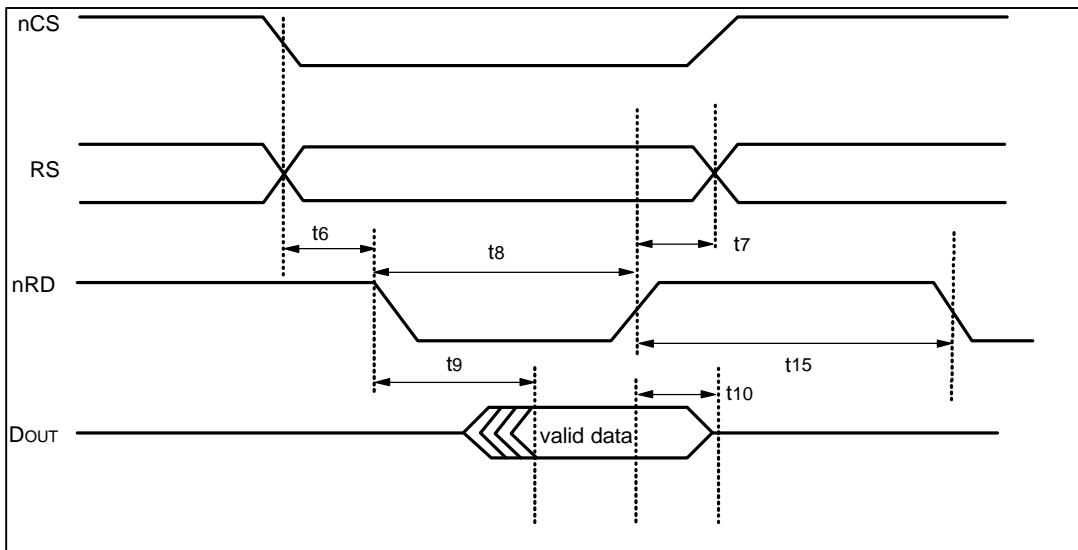
PARAMETER	SYMBOL	MIN	TYP	MAX	UNITS	COMMENTS
LOW INPUT VOLTAGE	V <sub>IL</sub>			0.8	V	
HIGH INPUT VOLTAGE	V <sub>IH</sub>	2.0			V	
LOW OUTPUT VOLTAGE	V <sub>OL</sub>			0.4	V	I <sub>OL</sub> = 5.0ma D <sub>0</sub> - D <sub>7</sub> I <sub>OL</sub> = 3.5ma
HIGH OUTPUT VOLTAGE	V <sub>OH</sub>	2.4			V	I <sub>OH</sub> = 100µa
INPUT LEAKAGE CURRENT	I <sub>L</sub>			±10	µA	
INPUT CAPACITANCE	C <sub>IN</sub>		10		pF	
POWER SUPPLY CURRENT	I <sub>CC</sub>		15		ma	

**Table 9 - AC CHARACTERISTICS**

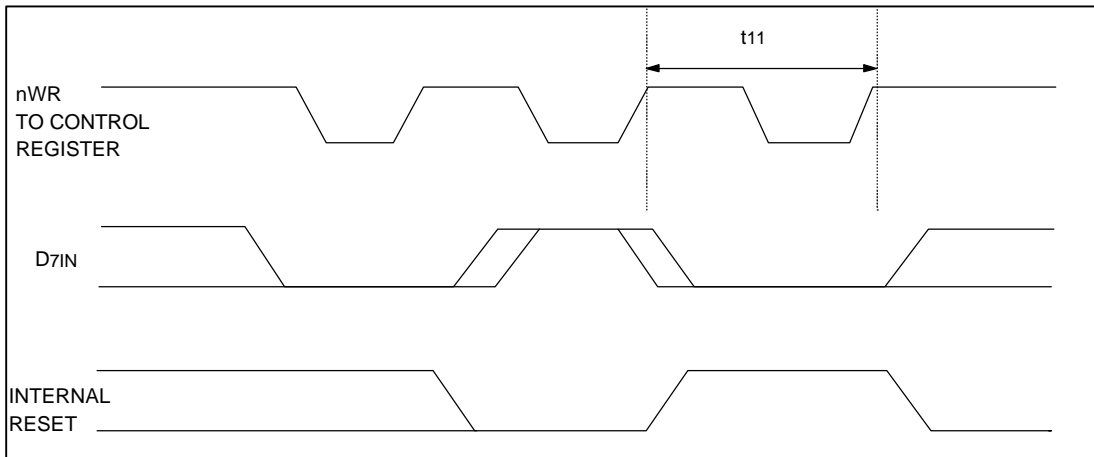
SYMBOL	DESCRIPTION	MIN	TYP	MAX	UNITS
<b>AC CHARACTERISTICS</b>					
<b>WRITE CYCLE</b>					
t <sub>1</sub>	nCS, RS to nWR ↓ setup time	50			ns
t <sub>2</sub>	nCS, RS hold time to nWR ↑	0			ns
t <sub>3</sub>	nWR pulse width	100			ns
t <sub>4</sub>	Data BUS in setup time to nWR ↑	75			ns
t <sub>5</sub>	Data BUS in hold time to nWR ↑	10			ns
<b>READ CYCLE</b>					
t <sub>6</sub>	nCS, RS to nWR ↓ setup time	0			ns
t <sub>7</sub>	nCS, RS hold time to nWR ↑	100			ns
t <sub>8</sub>	nWR pulse width	0		60	ns @50pf max
t <sub>9</sub>	Data BUS in setup time to nWR ↑	0		60	ns @50pf max
t <sub>10</sub>	Data BUS in hold time to nWR ↑				
<b>GENERAL TIMING</b>					
t <sub>11</sub>	Reset Pulse Width	1.0			μs
t <sub>12</sub>	nCP1 active to nINT			300	μs @25pf
t <sub>13</sub>	nWR rising edge to nCP2 change			200	μs
t <sub>14</sub>	CP1, CP2 pulse width	1.0			μs
t <sub>15</sub>	Read Write Interval	100			ns
<b>nCP1, nCP2 data</b>					
	Rise Time			30	ns @25pf
	Fall Time			30	ns @25pf
<b>CLOCK FREQUENCY</b>					
	Rise Time			30	ns
	Fall Time			30	ns
	Internal Baud Rate Mode			11.0	MHz
	External Baud Rate Mode			1.6	MHz
	Duty Cycle			40/60	%



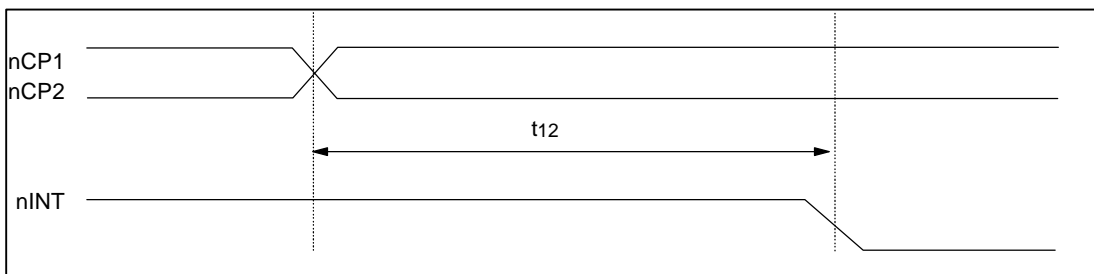
**FIGURE 3 – PROCESSOR TO TPUART WRITE CYCLE**



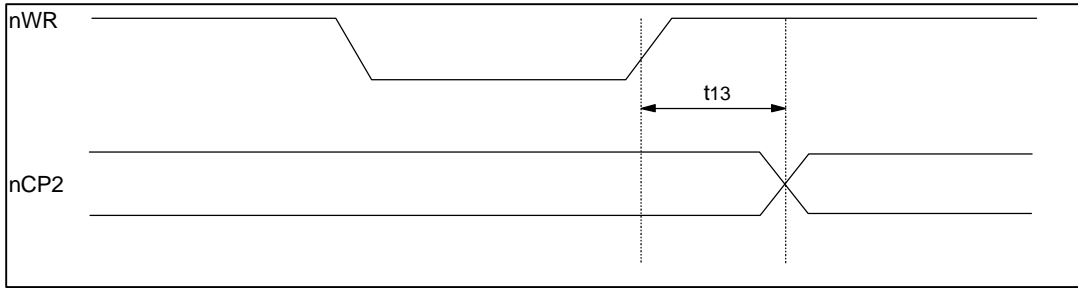
**FIGURE 4 – PROCESSOR FROM TPUART READ CYCLE**



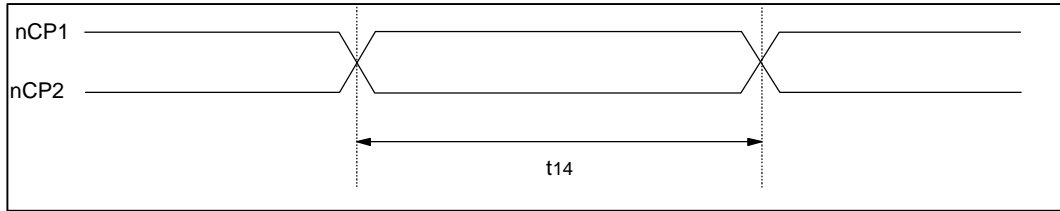
**FIGURE 5 – INTERNAL RESET TIMING**



**FIGURE 6 – nCP1 TRANSITION TO nINT**



**FIGURE 7 – nCP2 OUTPUT TIMING**



**FIGURE 8 – nCP1, nCP2 INPUT TIMING**





81988 STANDARD MICROSYSTEMS  
CORP.

**sm<sub>s</sub>c™**

Circuit diagrams utilizing SMSC products are included as a means of illustrating typical applications; consequently complete information sufficient for construction purposes is not necessarily given. The information has been carefully checked and is believed to be entirely reliable. However, no responsibility is assumed for inaccuracies. Furthermore, such information does not convey to the purchaser of the semiconductor devices described any licenses under the patent rights of SMSC or others. SMSC reserves the right to make changes at any time in order to improve design and supply the best product possible. SMSC products are not designed, intended, authorized or warranted for use in any life support or other application where product failure could cause or contribute to personal injury or severe property damage. Any and all such uses without prior written approval of an Officer of SMSC and further testing and/or modification will be fully at the risk of the customer.