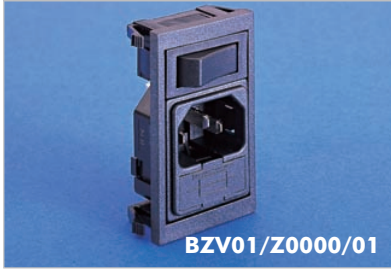
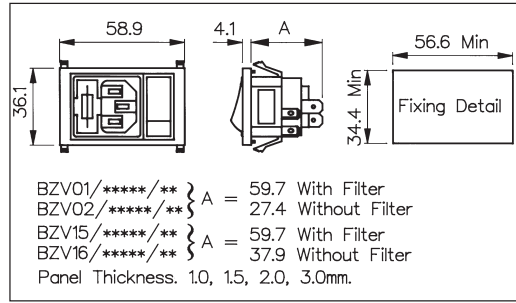


## C14 IEC Fused Inlet - Vertical

### VERTICAL MODULE ARRANGEMENT

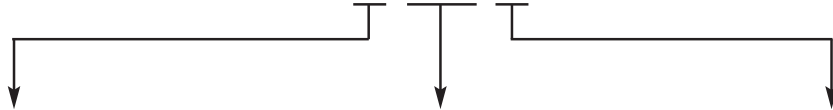


- Fused Inlet with 2.8mm or 6.3mm tags
- Single Pole Switch Variations
- Filtered Inlet Option
- Options of I/O marked switches



### How to Order

**BZV xx / xxxxx / xx**



| Type of Inlet / Outlet   | Filtered or Non Filtered Inlet   | Combination of Other Components  |
|--|--|--|
| Single Fused C14 Power Inlet (cold condition), 6.3 or 2.8mm tabs:<br><b>01</b> = PF0011/63<br><b>02</b> = PF0011/28<br><br>Twin Fused C14 Power Inlet (cold condition), 6.3 or 2.8mm tabs:<br><b>15</b> = PF0033/63<br><b>16</b> = PF0033/28 | Z0000 = Non Filtered<br>Axxxx = Standard<br>Bxxxx = Medical (Twin Fuse Version only)<br><br><div style="border: 1px solid black; padding: 5px; margin-top: 20px;">                         For Filtered inlet use 6th to 9th characters from filter ordering code see pages 127-129.<br/><br/>                         E.g. BZV01/<b>A0620</b>/01                     </div> | Single Pole Switch:<br><b>01</b> = S.P. Switch<br><br>Single Pole Neon Switch:<br><b>02</b> = S.P. Red Neon Switch<br><b>08</b> = S.P. Green Neon Switch<br><br>Neon Indicator:<br><b>03</b> = Red Neon Indicator<br><br>Single Pole High Inrush Switch:<br><b>46</b> = S.P. High Inrush Switch<br><br>Single Pole Switch Marked I/O:<br><b>69</b> = S.P. Switch (I/O)<br><br>Single Pole Neon Switch Marked (I/O):<br><b>71</b> = S.P. Red Neon Switch (I/O)<br><b>74</b> = S.P. Green Neon Switch (I/O)<br><br>Single Pole High Inrush Switch Marked (I/O):<br><b>98</b> = S.P. High Inrush Switch (I/O) |

Note: For technical details of individual components please see page 106

IEC CONNECTORS