

MM54HCT193/MM74HCT193 Synchronous Binary Up/Down Counters

General Description

These high speed synchronous counters utilize advanced silicon-gate CMOS technology to achieve the high noise immunity and low power consumption of CMOS technology, along with the speeds of low power Schottky TTL. The MM54HCT193/MM74HCT193 is a binary counter having two separate clock inputs, an UP COUNT input and a DOWN COUNT input. All outputs of the flip-flops are simultaneously triggered on the low-to-high transition of either clock while the other input is held high. The direction of counting is determined by which input is clocked.

This device has TTL compatible inputs. It can drive 15 LS-TTL loads.

This counter may be preset by entering the desired data on the DATA A, DATA B, DATA C, and DATA D inputs. When the LOAD input is taken low, the data is loaded independently of either clock input. This feature allows the counter to be used as a divide-by-n counter by modifying the count length with the preset inputs.

In addition, the HCT193 can also be cleared. This is accomplished by inputting a high on the CLEAR input. All 4 internal stages are set to a low level independently of either COUNT input.

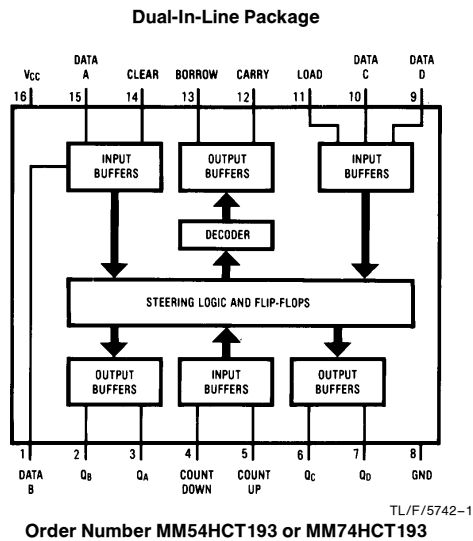
Both a BORROW and CARRY output are provided to enable cascading of both up and down counting functions. The BORROW output produces a negative-going pulse when the counter underflows and the CARRY outputs a pulse when the counter overflows. The counter can be cascaded by connecting the CARRY and BORROW outputs of one device to the COUNT UP and COUNT DOWN inputs, respectively, of the next device.

All inputs are protected from damage due to static discharge by diodes to V_{CC} and ground.

Features

- Low quiescent supply current: 80 μA maximum (74HCT Series)
- Low input current: 1 μA maximum
- TTL compatible inputs

Connection Diagram



Truth Table

Count		Clear	Load	Function
Up	Down			
↑	H	L	H	Count Up
H	↑	L	H	Count Down
X	X	H	X	Clear
X	X	L	L	Load

H = high level
L = low level
↑ = transition from low-to-high
X = don't care

Absolute Maximum Ratings (Notes 1 and 2)

If Military/Aerospace specified devices are required, please contact the National Semiconductor Sales Office/Distributors for availability and specifications.

Supply Voltage (V_{CC})	-0.5V to +7.0V
DC Input Voltage (V_{IN})	-1.5V to $V_{CC} + 1.5V$
DC Output Voltage (V_{OUT})	-0.5V to $V_{CC} + 0.5V$
Clamp Diode Current (I_{IK}, I_{OK})	± 20 mA
DC Output Current, per Pin (I_{OUT})	± 25 mA
DC V_{CC} or GND Current, per Pin (I_{CC})	± 50 mA
Storage Temperature Range (T_{STG})	-65°C to +150°C
Power Dissipation (P_D) (Note 3)	600 mW
S.O. Package only	500 mW
Lead Temperature (T_L) (Soldering, 10 seconds)	260°C

Operating Conditions

	Min	Max	Units
Supply Voltage (V_{CC})	4.5	5.5	V
DC Input or Output Voltage (V_{IN}, V_{OUT})	0	V_{CC}	V
Operating Temp. Range (T_A)			
MM74HCT	-40	+85	°C
MM54HCT	-55	+125	°C
Input Rise or Fall Times (t_r, t_f)		500	ns

DC Electrical Characteristics $V_{CC} = 5V \pm 10\%$ unless otherwise specified

Symbol	Parameter	Conditions	$T_A = 25^\circ\text{C}$			Units	
			Typ	74HCT $T_A = -40^\circ\text{C to } 85^\circ\text{C}$	54HCT $T_A = -55^\circ\text{C to } 125^\circ\text{C}$		
V_{IH}	Minimum High Level Input Voltage			2.0	2.0	2.0	V
V_{IL}	Maximum Low Level Input Voltage			0.8	0.8	0.8	V
V_{OH}	Minimum High Level Output Voltage	$V_{IN} = V_{IH}$ or V_{IL}	V_{CC}	$V_{CC}-0.1$	$V_{CC}-0.1$	$V_{CC}-0.1$	V
		$ I_{OUT} = 20 \mu\text{A}$	4.2	3.98	3.84	3.7	V
		$ I_{OUT} = 4.0 \text{ mA}, V_{CC} = 4.5\text{V}$ $ I_{OUT} = 4.8 \text{ mA}, V_{CC} = 5.5\text{V}$	5.2	4.98	4.84	4.7	V
V_{OL}	Maximum Low Level Voltage	$V_{IN} = V_{IH}$ or V_{IL}	0	0.1	0.1	0.1	V
		$ I_{OUT} = 20 \mu\text{A}$	0.2	0.26	0.33	0.4	V
		$ I_{OUT} = 4.0 \text{ mA}, V_{CC} = 4.5\text{V}$ $ I_{OUT} = 4.8 \text{ mA}, V_{CC} = 5.5\text{V}$	0.2	0.26	0.33	0.4	V
I_{IN}	Maximum Input Current	$V_{IN} = V_{CC}$ or GND, V_{IH} or V_{IL}		± 0.1	± 1.0	± 1.0	μA
I_{CC}	Maximum Quiescent Supply Current	$V_{IN} = V_{CC}$ or GND $I_{OUT} = 0 \mu\text{A}$		8.0	80	160	μA
		$V_{IN} = 2.4\text{V}$ or 0.5V (Note 4)		1.0	1.2	1.3	mA

Note 1: Absolute Maximum Ratings are those values beyond which damage to the device may occur.

Note 2: Unless otherwise specified all voltages are referenced to ground.

Note 3: Power dissipation temperature derating—plastic "N" package: -12 mW/°C from 65°C to 85°C; ceramic "J" package: -12 mW/°C from 100°C to 125°C.

Note 4: Measured per pin, all other inputs held at V_{CC} or GND.

AC Electrical Characteristics

(Note 6) $V_{CC} = 5V$, $T_A = 25^\circ C$, $C_L = 15\text{ pF}$, $t_r = t_f = 6\text{ ns}$ (unless otherwise specified)

Symbol	Parameter	From (Input)	To (Output)	Conditions	Typ	Guaranteed Limit	Units
f_{MAX}	Maximum Clock Frequency				35		MHz
$t_{PLH, PHL}$	Maximum Propagation Delay Time	Load	QA, QB, QC, QD		26		ns
$t_{PLH, PHL}$	Maximum Propagation Delay Time	Data A, B, C, D,	QA, QB, QC, QD		25		ns
$t_{PLH, PHL}$	Maximum Propagation Delay Time	Count-Up or -Down	QA, QB, QC, QD		26		ns
$t_{PLH, PHL}$	Maximum Propagation Delay Time	Count-Up	Carry		22		ns
$t_{PLH, PHL}$	Maximum Propagation Delay Time	Count-Dn	Borrow		22		ns
$t_{PLH, PHL}$	Maximum Propagation Delay Time	Clear	QA, QB, QC, QD		25		ns

AC Electrical Characteristics (Note 6)

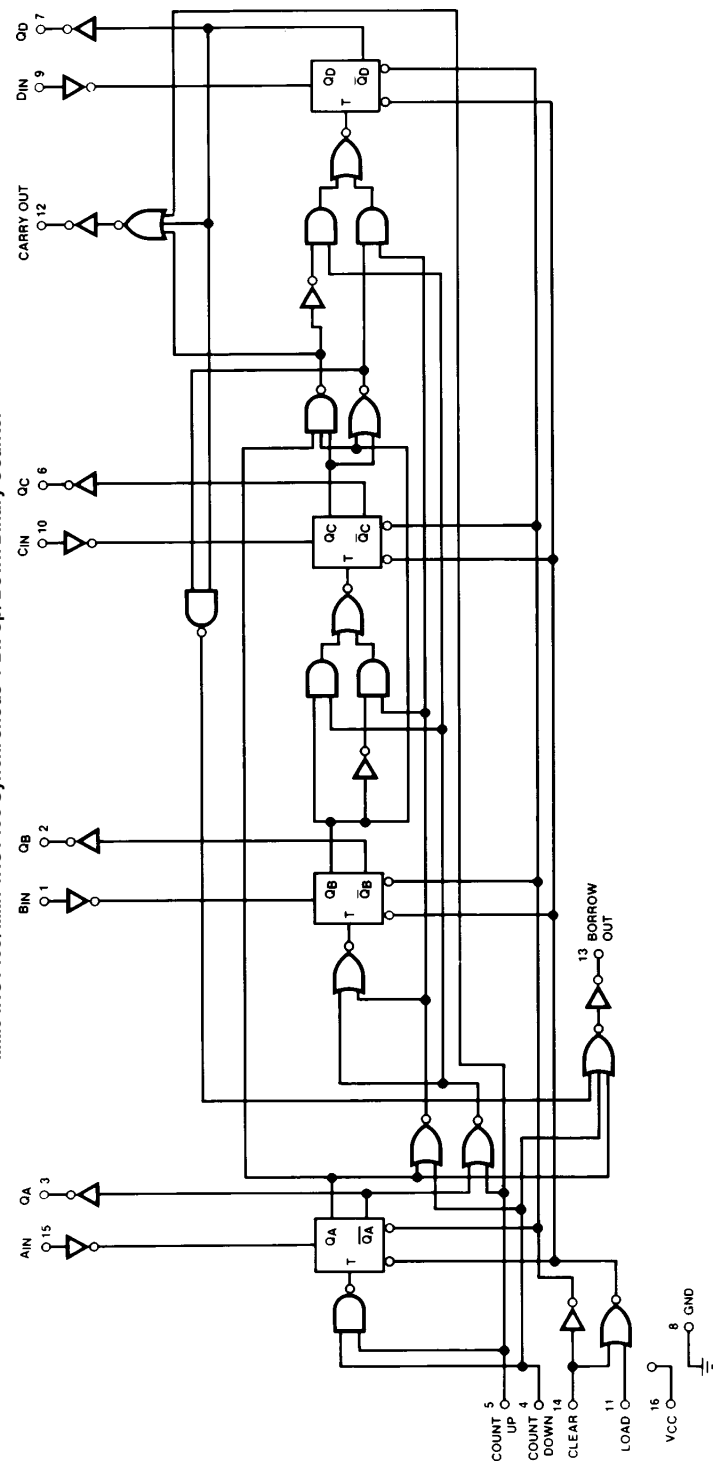
$V_{CC} = 5V$, $\pm 10\%$, $C_L = 50\text{ pF}$ (unless otherwise specified)

Symbol	Parameter	From (Input)	To (Output)	T = 25°C	T = 25°C	74HC T = -40° to 85°C	54HC T = -55° to 125°C	Units
				Typ	Guaranteed Limits			
f_{MAX}	Maximum Clock Frequency			32	20	16	13	MHz
$t_{PLH, PHL}$	Maximum Propagation Delay Time	Load	QA, QB, QC, QD	29	44	55	66	ns
$t_{PLH, PHL}$	Maximum Propagation Delay Time	Data A	QA, QB, QC, QD	28	40	50	60	ns
$t_{PLH, PHL}$	Maximum Propagation Delay Time	Count-Up or -Down	QA, QB, QC, QD	30	43	54	65	ns
$t_{PLH, PHL}$	Maximum Propagation Delay Time	Count-Up	Carry	25	30	38	45	ns
$t_{PLH, PHL}$	Maximum Propagation Delay Time	Count-Down	Borrow	25	30	38	45	ns
$t_{PLH, PHL}$	Maximum Propagation Delay Time	Clear	QA, QB, QC, QD	28	35	44	53	ns
t_W	Minimum Clock Pulse Width			16	25	31	38	ns
t_S	Minimum Setup Time Data before Load-LH				20	25	30	ns
t_H	Minimum Hold Time Data after Load-LH			-3	5	6	8	ns
t_{REM}	Minimum Removal Time Load to Count			-2	5	6	8	ns
t_{REM}	Minimum Removal Time Clear to Count			2	5	6	8	ns
t_W	Minimum Load Pulse Width			18	20	25	30	ns
t_W	Minimum Clear Pulse Width			8	20	25	30	ns
$t_{TLH, THL}$	Output Rise or Fall Time			10	15	19	22	ns
C_{PD}	Power Dissipation Capacitance			40				pF
C_{IN}	Maximum Input Capacitance			5	10	10	10	pF

Note 5: C_{PD} determines the no load dynamic power consumption, $P_D = C_{PD} V_{CC}^2 f + I_{CC} V_{CC}$, and the no load dynamic current consumption, $I_S = C_{PD} V_{CC} f + I_{CC}$.

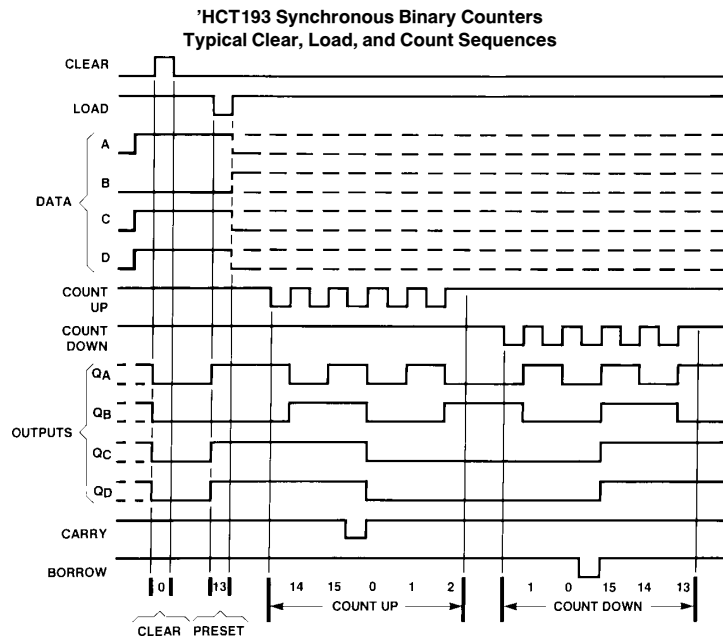
Note 6: Refer to Section 1 for Typical MM54/74HCT AC Switchforms and Test Circuits.

MM54HCT193/MM74HCT193 Synchronous 4-Bit Up/Down Binary Counter



TL/F/5742-2

Logic Waveforms



TL/F/5742-3

Sequence:

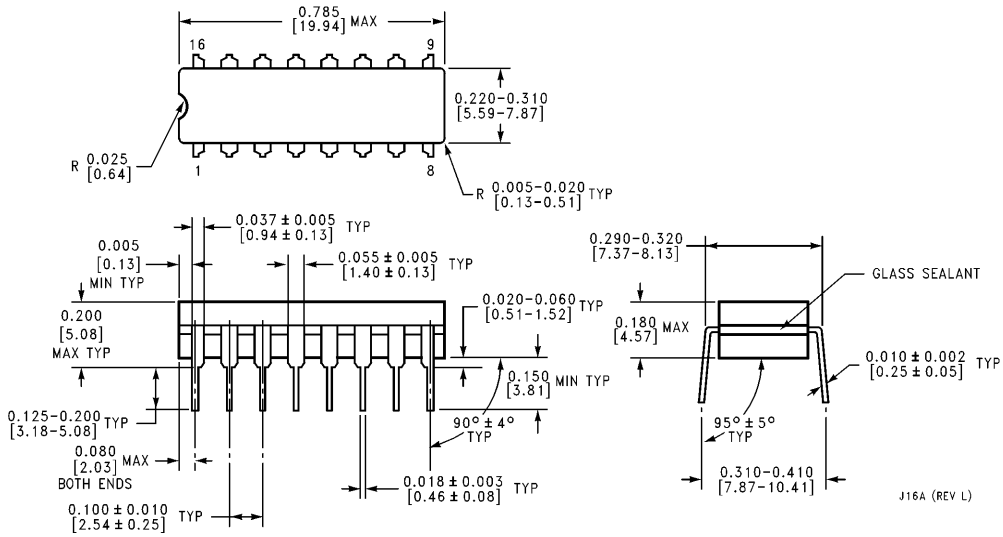
- (1) Clear outputs to zero.
- (2) Load (preset) to binary thirteen
- (3) Count up to fourteen, fifteen, carry, zero, one, and two.
- (4) Count down to one, zero, borrow, fifteen, fourteen, and thirteen.

Note A: Clear overrides load data, and count inputs.

Note B: When counting up, count-down input must be high; when counting down, count-up input must be high.



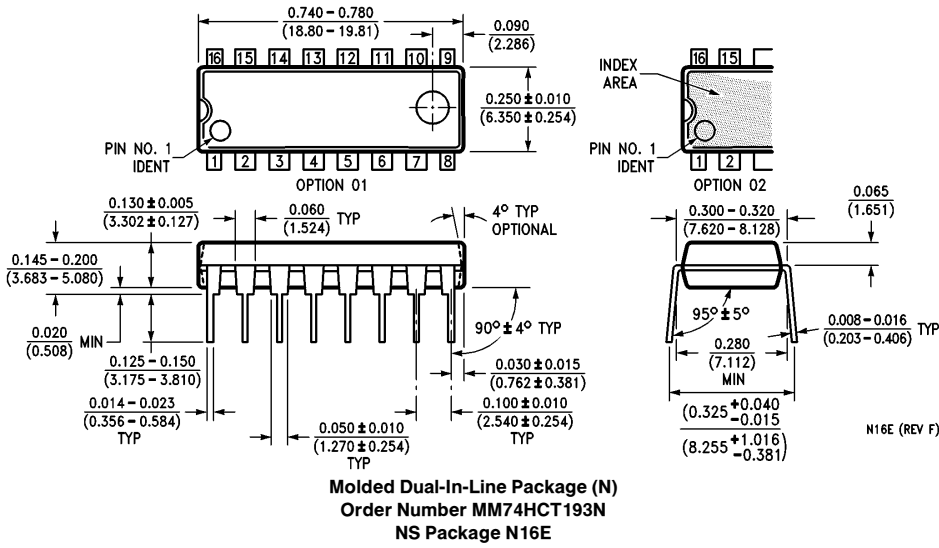
Physical Dimensions inches (millimeters)



Ceramic Dual-In-Line Package (J)
Order Number MM54HCT193J or MM74HCT193J
NS Package J16A

J16A (REV L)


Physical Dimensions inches (millimeters) (Continued)



LIFE SUPPORT POLICY

NATIONAL'S PRODUCTS ARE NOT AUTHORIZED FOR USE AS CRITICAL COMPONENTS IN LIFE SUPPORT DEVICES OR SYSTEMS WITHOUT THE EXPRESS WRITTEN APPROVAL OF THE PRESIDENT OF NATIONAL SEMICONDUCTOR CORPORATION. As used herein:

1. Life support devices or systems are devices or systems which, (a) are intended for surgical implant into the body, or (b) support or sustain life, and whose failure to perform, when properly used in accordance with instructions for use provided in the labeling, can be reasonably expected to result in a significant injury to the user.
2. A critical component is any component of a life support device or system whose failure to perform can be reasonably expected to cause the failure of the life support device or system, or to affect its safety or effectiveness.

 <p>National Semiconductor Corporation 1111 West Bardin Road Arlington, TX 76017 Tel: 1(800) 272-9959 Fax: 1(800) 737-7018</p>	<p>National Semiconductor Europe Fax: (+49) 0-180-530 85 86 Email: onjwge@tevm2.nsc.com Deutsch Tel: (+49) 0-180-530 85 85 English Tel: (+49) 0-180-532 78 32 Français Tel: (+49) 0-180-532 93 58 Italiano Tel: (+49) 0-180-534 16 80</p>	<p>National Semiconductor Hong Kong Ltd. 19th Floor, Straight Block, Ocean Centre, 5 Canton Rd. Tsimshatsui, Kowloon Hong Kong Tel: (852) 2737-1600 Fax: (852) 2736-9960</p>	<p>National Semiconductor Japan Ltd. Tel: 81-043-299-2309 Fax: 81-043-299-2408</p>
--	--	---	---

National does not assume any responsibility for use of any circuitry described, no circuit patent licenses are implied and National reserves the right at any time without notice to change said circuitry and specifications.

This datasheet has been download from:

www.datasheetcatalog.com

Datasheets for electronics components.