

**SPECIFICATIONS**

|                       |                                     |
|-----------------------|-------------------------------------|
| Switch Function       | DP3T                                |
| Electrical Ratings    | 300mA @ 6VDC                        |
| Electrical Life       | 10,000 cycles typical               |
| Contact Resistance    | < 50 mΩ initial                     |
| Actuation Force       | 200 +/- 100gF                       |
| Actuator Travel       | 2.0 mm per position<br>4.0 mm total |
| Dielectric Strength   | 1000Vrms min                        |
| Insulation Resistance | > 100MΩ min                         |
| Operating Temperature | -40°C to 85°C                       |
| Storage Temperature   | -40°C to 85°C                       |



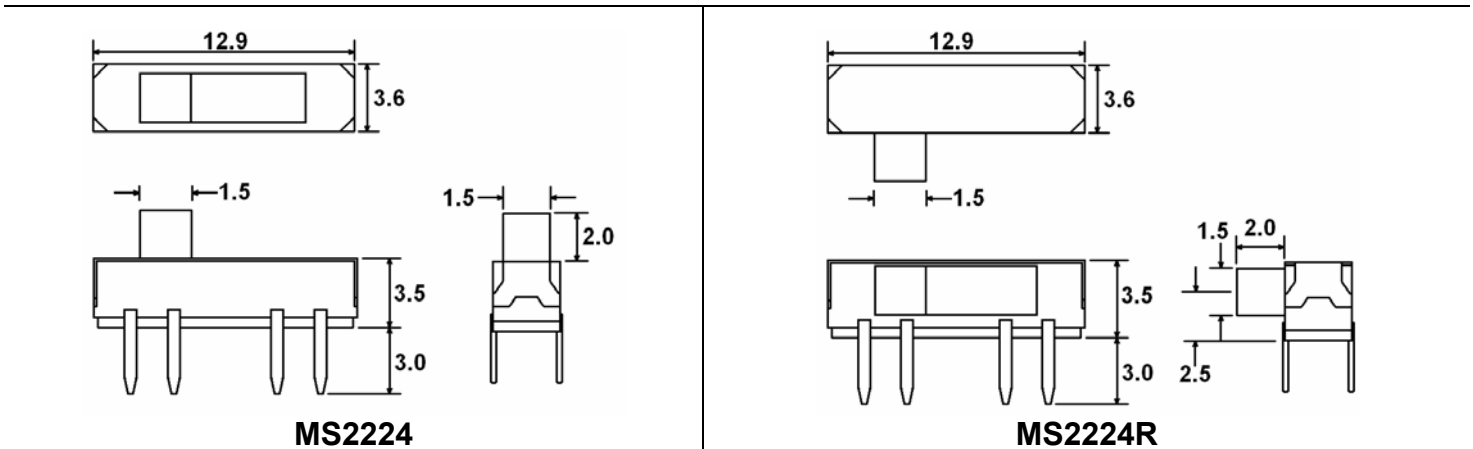
**MATERIALS ←RoHS COMPLIANT**

|           |                                |
|-----------|--------------------------------|
| Actuator  | 6/6 Nylon                      |
| Housing   | Stainless Steel                |
| Cover     | PBT                            |
| Contacts  | Phosphor Bronze, Silver Plated |
| Terminals | Brass, Silver Plated           |

**ORDERING INFORMATION**

|                   |               |
|-------------------|---------------|
| <b>1. Series:</b> | <b>MS2224</b> |
| MS2224            |               |
| MS2224R           |               |

**DIMENSIONS**



**SCHEMATIC & PC LAYOUT**

