

Shock-Safe Fuseholder, 5 x 20 mm, Slot/Fingerrip, horizontal, PC3, medical



Fingerrip



captive fuse carrier

250 VAC · 2.5 W / 10 A (VDE) 10 A (UL/CSA)

**Description**

- Shocksafe category PC3
- Captive Fuse-Carrier, Slotted or Fingerrip

Standards

- IEC 60127-6
- UL 512
- CSA C22.2 no. 39

Approvals

- VDE License Number: 135561
- UL File Number: E39328

Applications

- Medical equipments

References

[General Product Information](#)

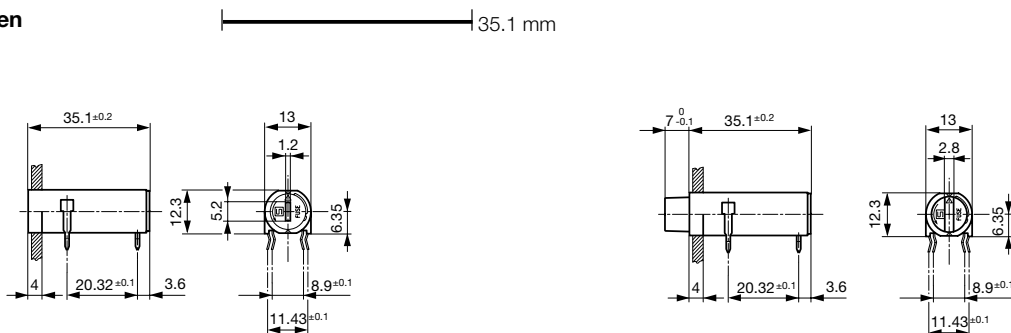
Weblinks

[Approvals, RoHS, CHINA-RoHS, e-Store, Distributor-Stock-Check, Accessories, Product Change Notification \(PCN\)](#)

Technical Data

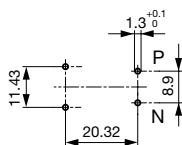
Shocksafe Category	PC3
Fuse-Link	5 x 20 mm
Mounting	PCB
Terminal	Solder THT
Rated Voltage	250 VAC
Rated Current	10 A (VDE), 10 A (UL/CSA)
Rated Power Acceptance IEC	2.5 W / 10 A @ Ta 23 °C Admissible power acceptance at higher ambient temperature see derating curves
Degree of Protection	IP 40
Protection Class	Suitable for appliances with protection class 1 or 2 acc. to IEC 61140
Admissible Ambient Air Temp.	-40 °C to 85 °C
Climatic Category	40/085/21 acc. to IEC 60068-1
Material: Socket	Thermoplastic, black, UL 94V-0
Material: Terminals	Tin-Plated Copper Alloy
Unit Weight (Socket/Cap)	6.84 g
Storage Conditions	0 °C to 60 °C, max. 70% r.h.
Product Marking	Voltage, Power Acc./Current Rating, Approvals

Soldering Methods	Wave
Solderability	235 °C / 2 sec acc. to IEC 60068-2-20, Test Ta, method 1
Resistance to Soldering Heat	260 °C / 10 sec acc. to IEC 60068-2-20, Test Tb, method 1A
Contact Resistance	< 5 mΩ at 20 mV
Dielectric Strength	> 3 kV between L-N (50 Hz; 1 min)
Impulse Withstand Voltage	> 4 kV between L-N
Insulation Resistance	> 10 MΩ between L-N (500 VDC; 1 min)
Overvoltage Category	I - III acc. to IEC 60664-1
Pollution Degree	1 - 3 acc. to IEC 60664-1

Abmessungen

Variant 0031.3981

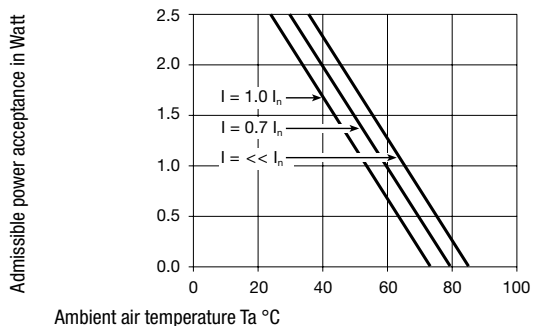
Variant Fingerrip 0031.3991



Drilling diagram

Mounting holes

Derating Curves for Fuseholders



Variants

Holder	Cap	Terminal	Degree of Protection	Order Number
●	Slot Knob	Kicked	IP 40	0031.3981
●	Fingergrip	Kicked	IP 40	0031.3991

Packaging Unit Bulk (100 pcs.)