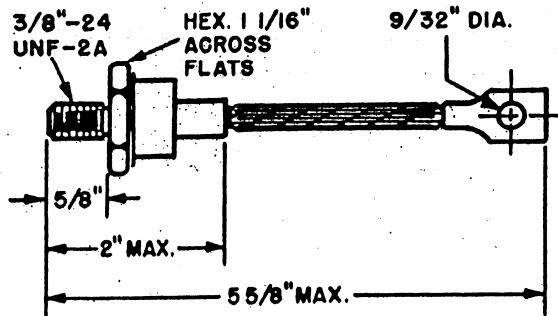

SERIES G5, G6, G7

Silicon Power Rectifiers

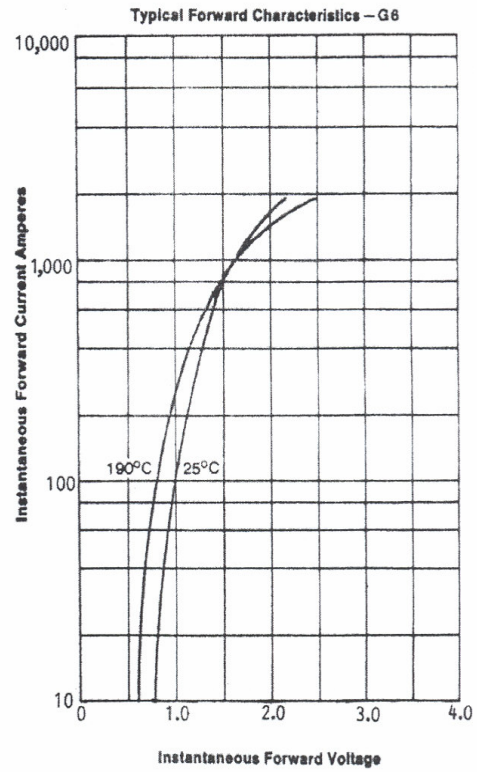
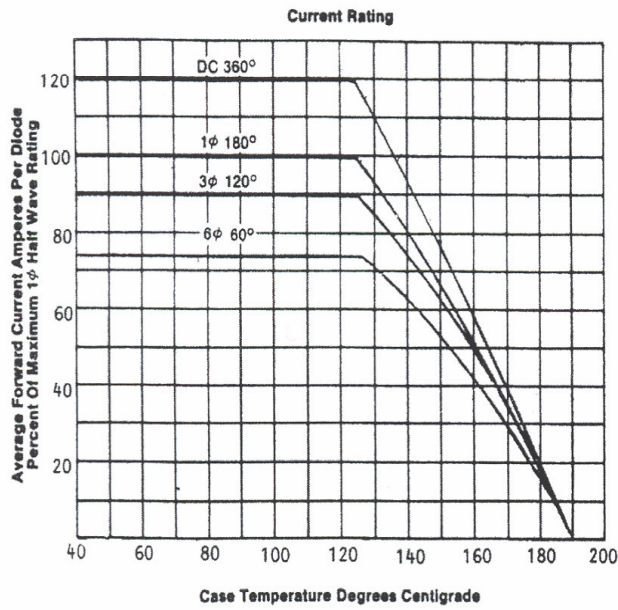
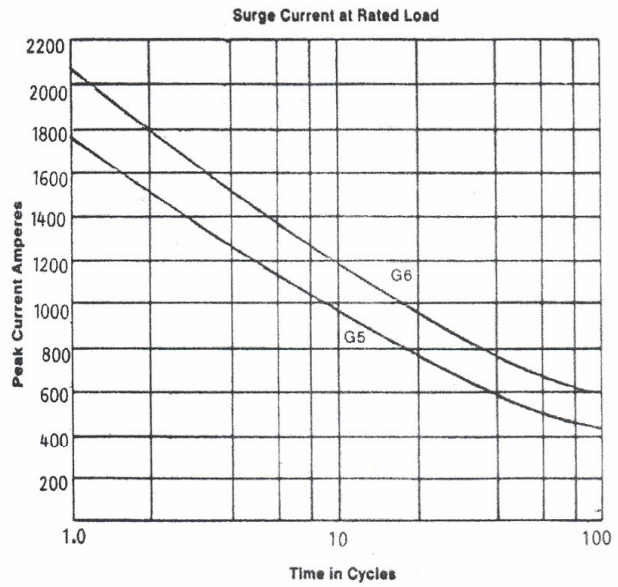
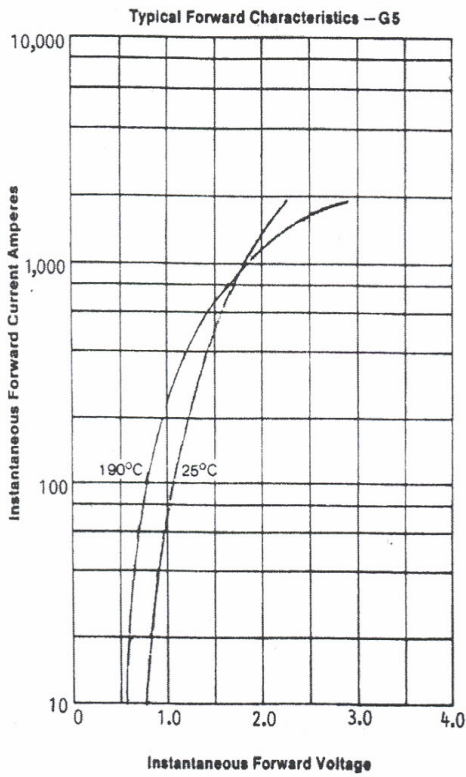
Edal Series G power rectifiers are stud mounted DO-8 packages. Because the silicon junction is carefully fitted within a glass-to-metal hermetically sealed case, reliable operation is assured, even with extreme humidity and under other severe environmental conditions. The series G power rectifiers are completely corrosion resistant. A double diffused, passivated junction technique is utilized to provide stable uniform electrical characteristics. Inherent in their design is very low leakage currents and excellent surge handling capability. Standard, bulk avalanche and fast recovery types in voltage ratings from 50 to 1500 volts PIV are available. Series G power rectifiers are also available in reverse polarity offering extended application parameters. Edal Series G power rectifiers are ideal for a broad range of commercial and military uses including power supplies, ultrasonic systems, inverters, welders, emergency generators, battery chargers, DC motors, and motor controls.

Specifications


PIV VOLTS	125 AMPS	150 AMPS	200 AMPS
50	G5A3	G6A3	G7A3
100	G5B3	G6B3	G7B3
200	G5C3	G6C3	G7C3
250	G5D3	G6D3	G7D3
300	G5E3	G6E3	G7E3
350	G5F3	G6F3	G7F3
400	G5G3	G6G3	G7G3
500	G5H3	G6H3	G7H3
600	G5K3	G6K3	G7K3
700	G5M3	G6M3	G7M3
800	G5N3	G6N3	G7N3
1000	G5P3	G6P3	G7P3
1200	G5R3	G6R3	G7R3
1500	G5S3	G6S3	G7S3

Electrical Ratings

	G5	G6	G7
Maximum forward current single Phase Half Wave			
Case Temperature ° C	130	125	125
Io Amps	125	150	200
Maximum Surge Current			
Single Cycle Amps	1800	2100	3000
Maximum Forward Drop at 25 ° C Case			
Io Amps	200	200	200
Vf Volts	1.2	1.1	1.05
Maximum Reverse Current			
FCA @ 150 C ma	5.0	5.0	5.0
Maximum I ² T (less than 8 ms)			
Amps ² - Sec	13500	18200	23500
Reverse Power for Bulk Avalanche (Joules)	1.0	1.0	1.5
Storage Temperature ° C	-65 to 200	-65 to 200	-65 to 200
Operating Temperature ° C	-65 to 190	-65 to 190	-65 to 190
Thermal Impedance Maximum			
(Junction to Case) ° C/Watt Maximum	.40	.35	.30
Jedec Style	DO8	DO8	DO8



(203) 467-2591 TEL
 (203) 469-5928 FAX
 Email: Info@edal.com
 Internet: <http://www.edal.com>

EDAL industries, inc.
 51 Commerce St. East Haven, CT 06512