

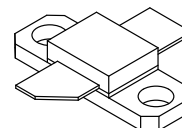
The RF Line  
**NPN Silicon**  
**RF Power Transistor**

**MRF6404**  
**MRF6404K**

**30 W, 1.88 GHz**  
**RF POWER TRANSISTOR**  
**NPN SILICON**

The MRF6404 is designed for 26 volts microwave large signal, common emitter, class AB linear amplifier applications operating in the range 1.8 to 2.0 GHz.

- Specified 26 Volts, 1.88 GHz Characteristics  
Output Power — 30 Watts  
Gain — 7.5 dB Min @ 30 Watts  
Efficiency — 38% Min @ 30 Watts
- Characterized with Series Equivalent Large-Signal Parameters from 1.8 to 2.0 GHz
- To be used in Class AB for DCS1800 and PCS1900/Cellular Radio
- Gold Metallized, Emitter Ballasted for Long Life and Resistance to Metal Migration



CASE 395C-01, STYLE 1

**MAXIMUM RATINGS**

Rating	Symbol	Value	Unit
Collector-Emitter Voltage	$V_{CEO}$	24	Vdc
Collector-Emitter Voltage	$V_{CES}$	60	Vdc
Emitter-Base Voltage	$V_{EBO}$	4	Vdc
Collector-Current — Continuous	$I_C$	10	Adc
Total Device Dissipation @ $T_C = 25^\circ\text{C}$ Derate above $25^\circ\text{C}$	$P_D$	125 0.71	Watts W/ $^\circ\text{C}$
Storage Temperature Range	$T_{stg}$	-65 to +150	$^\circ\text{C}$
Operating Junction Temperature	$T_J$	200	$^\circ\text{C}$

**THERMAL CHARACTERISTICS**

Characteristic	Symbol	Max	Unit
Thermal Resistance, Junction to Case (1)	$R_{\theta JC}$	1.4	$^\circ\text{C}/\text{W}$

**ELECTRICAL CHARACTERISTICS** ( $T_C = 25^\circ\text{C}$  unless otherwise noted)

Characteristic	Symbol	Min	Typ	Max	Unit
----------------	--------	-----	-----	-----	------

**OFF CHARACTERISTICS**

Collector-Emitter Breakdown Voltage ( $I_C = 50\text{ mA}$ , $I_B = 0$ )	$V_{(BR)CEO}$	24	29	—	Vdc
Emitter-Base Breakdown Voltage ( $I_E = 10\text{ mAdc}$ )	$V_{(BR)EBO}$	4	5	—	Vdc
Collector-Base Breakdown Voltage ( $I_C = 50\text{ mAdc}$ )	$V_{(BR)CES}$	60	68	—	Vdc
Collector-Base Breakdown Voltage ( $I_C = 50\text{ mAdc}$ , $R_{BE} = 75\ \Omega$ )	$V_{(BR)CER}$	40	56	—	Vdc
Collector Cutoff Current ( $V_{CE} = 30\text{ V}$ , $V_{BE} = 0$ )	$I_{CES}$	—	—	10	mA

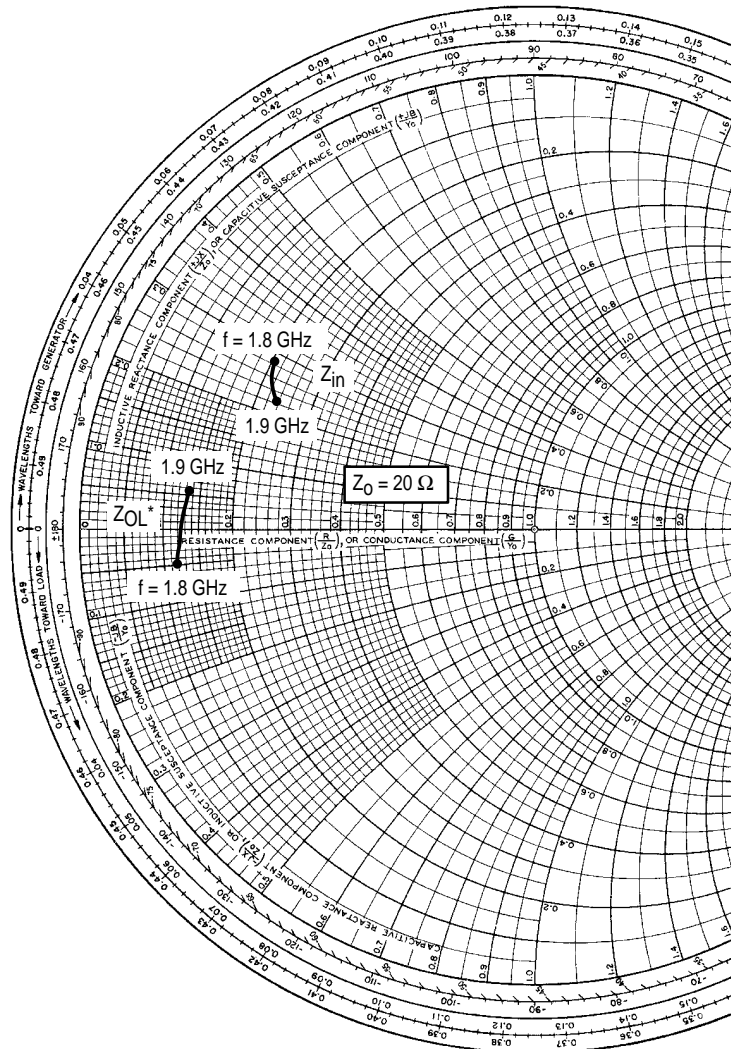
**ON CHARACTERISTICS**

DC Current Gain ( $I_C = 1\text{ Adc}$ , $V_{CE} = 5\text{ Vdc}$ )	$h_{FE}$	20	50	120	—
--	----------	----	----	-----	---

(1) Thermal resistance is determined under specified RF operating condition.

**ELECTRICAL CHARACTERISTICS — continued** ( $T_C = 25^\circ\text{C}$  unless otherwise noted)

Characteristic	Symbol	Min	Typ	Max	Unit
<b>DYNAMIC CHARACTERISTICS</b>					
Output Capacitance ( $V_{CB} = 26\text{ V}$ , $I_E = 0$ , $f = 1\text{ MHz}$ ) For information only. This part is collector matched.	$C_{ob}$	30	38	—	pF
<b>FUNCTIONAL TESTS</b>					
Common-Emitter Amplifier Power Gain ( $V_{CC} = 26\text{ V}$ , $P_{out} = 30\text{ W}$ , $I_{CQ} = 150\text{ mA}$ , $f = 1.88\text{ GHz}$ )	$G_{pe}$	7.5	8.5	—	dB
Common-Emitter Amplifier Power Gain ( $V_{CC} = 26\text{ V}$ , $P_{out} = 28\text{ W}$ , $I_{CQ} = 150\text{ mA}$ ) ( $f = 1.99\text{ GHz}$ )	$G_{pe}$	7	8	—	dB
Collector Efficiency ( $V_{CC} = 26\text{ V}$ , $P_{out} = 30\text{ W}$ , $f = 1.88\text{ GHz}$ ) ( $V_{CC} = 26\text{ V}$ , $P_{out} = 28\text{ W}$ , $f = 1.99\text{ GHz}$ )	$\eta$	38 35	43 40	— —	%
Output Power at 1 dBc ( $V_{CC} = 26\text{ V}$ , $f = 1.88\text{ GHz}$ ) ( $V_{CC} = 26\text{ V}$ , $f = 1.99\text{ GHz}$ )	$P_{1dBc}$	30 28	35 33	— —	Watts
Output Mismatch Stress: VSWR = 3:1 (all phase angles) ( $V_{CC} = 26\text{ Vdc}$ , $P_{out} = 25\text{ W}$ , $I_{CQ} = 150\text{ mA}$ , $f = 1.88\text{ GHz}$ )	$\Psi$	No Degradation in Output Power			



**DCS EVALUATION**

f (GHz)	$Z_{in}$ ( $\Omega$ )	$Z_{OL}^*$ ( $\Omega$ )
1.8	$4.3 + j6.1$	$2.7 - j1.0$
1.85	$4.6 + j5.3$	$2.9 + j0.3$
1.9	$4.8 + j5.0$	$3.0 + j1.2$

$Z_{OL}^*$ : Conjugate of optimum load impedance into which the device operates at a given output power, voltage, current and frequency.

**Figure 1. Input and Output Impedances with Circuit Tuned for Maximum Gain  
@  $V_{CC} = 26\text{ V}$ ,  $I_{CQ} = 150\text{ mA}$ ,  $P_{out} = 30\text{ W}$**

## TYPICAL CHARACTERISTICS

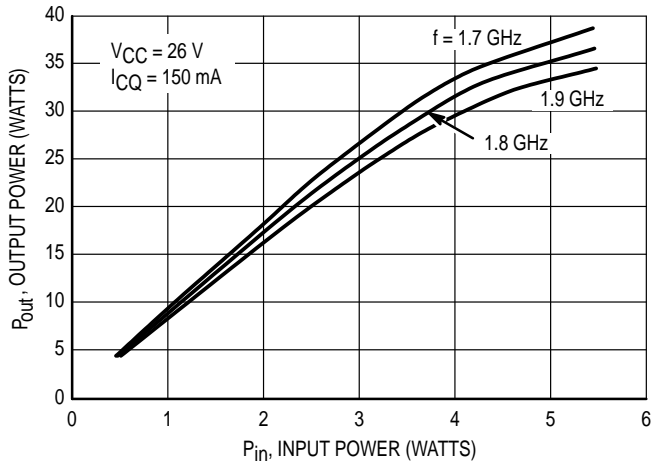


Figure 2. Output Power versus Input Power

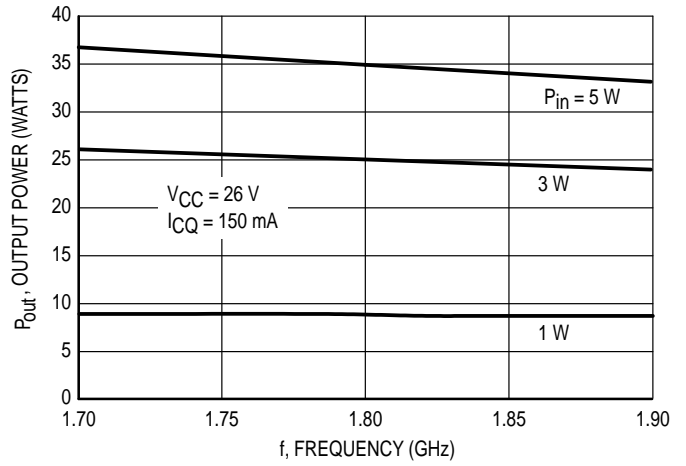


Figure 3. Output Power versus Frequency

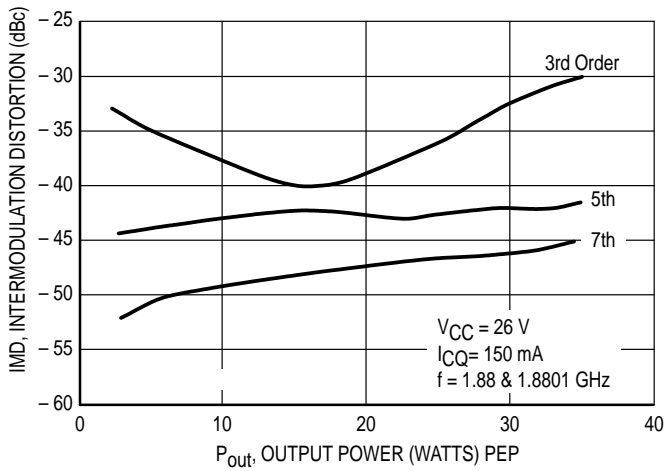


Figure 4. Intermodulation versus Output Power

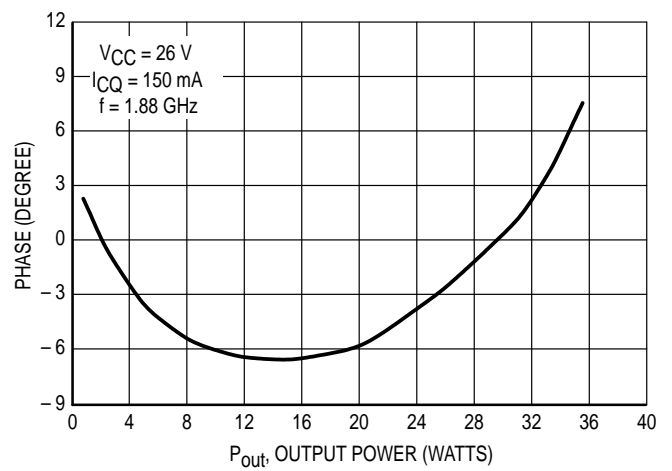
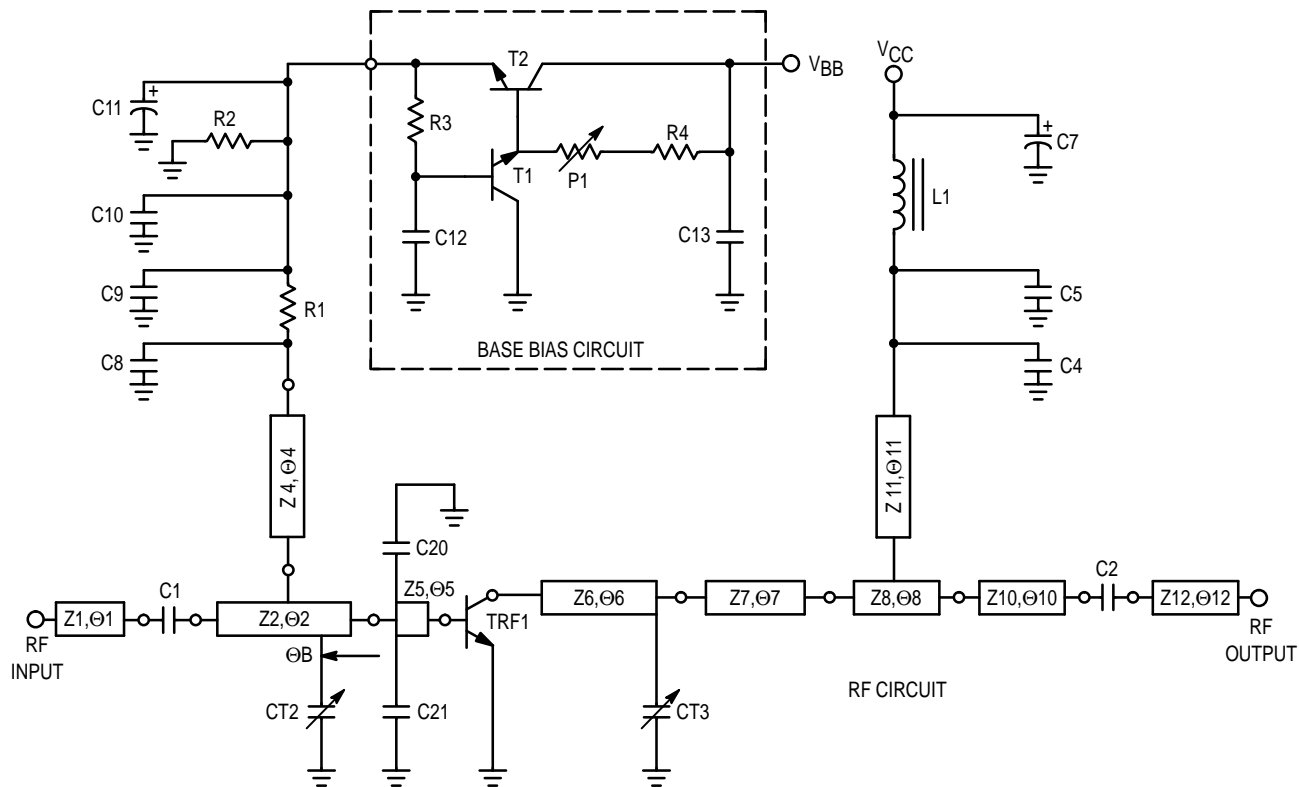


Figure 5. AM/PM Conversion



#### Base Bias Circuit

C12, C13	15 nF, Chip Capacitor, Vitramon (0805 A153 JXB)
P1	1 K $\Omega$ , Trimmer
R3	47 $\Omega$ , Chip Resistor, 0805
R4	330 $\Omega$ , Chip Resistor, 0805
T1, T2	Motorola MJD 31C

#### Decoupling Base Bias Circuit

C4	68 pF, Chip Capacitor, ATC 100A
C5, C9	330 pF, Chip Capacitor, Vitramon (0805 A331 JXB)
C7, C11	4.7 $\mu$ F, 63 V, Electrolytic Capacitor
C8	68 pF, Chip Capacitor, ATC 100A
C10	15 nF, Chip Capacitor, Vitramon (0805 A153 JXB)
R1	1.5 $\Omega$ , Chip Resistor, 0805
R2	56 $\Omega$ , Chip Resistor, 1206

#### RF Circuit

C1, C2	68 pF, Chip Capacitor, ATC 100A
C20, C21	1.3 pF, Chip Capacitor, ATC 100A
CT2	Trimmer Capacitor, Gigatrim, Ref 37281
CT3	Trimmer Capacitor, Gigatrim, Ref 37291
TRF1	MRF6404

PC Board Material:

$\epsilon_r = 2.55$ , H = 0.508 mm, T = 0.035 mm

All Electrical Lengths Are Referenced from  $\lambda_g$  @ f = 1.9 GHz

Z1 : 50 $\Omega$	$\Theta 1$ : 10 $^\circ$
Z2 : 50 $\Omega$	$\Theta 2$ : 74.5 $^\circ$
$\Theta B$ : 16.5 $^\circ$	
Z4 : 74 $\Omega$	$\Theta 4$ : 68 $^\circ$
Z5 : 12.8 $\Omega$	$\Theta 5$ : 21 $^\circ$
Z6 : 10.4 $\Omega$	$\Theta 6$ : 49.5 $^\circ$
Z7 : 18 $\Omega$	$\Theta 7$ : 36.5 $^\circ$
Z8 : 45 $\Omega$	$\Theta 8$ : 20 $^\circ$
Z10 : 50 $\Omega$	$\Theta 10$ : 10 $^\circ$
Z11 : 74 $\Omega$	$\Theta 11$ : 74.5 $^\circ$
Z12 : 50 $\Omega$	$\Theta 12$ : 10 $^\circ$

Figure 6. 1.80–1.88 GHz Test Circuit Electrical Schematic and Components List



(Not to Scale)

Teflon® Glass 0.5 mm – Double Side 35 μm Cu.

Figure 7. 1.80–1.88 GHz PCN Test Circuit Photomaster

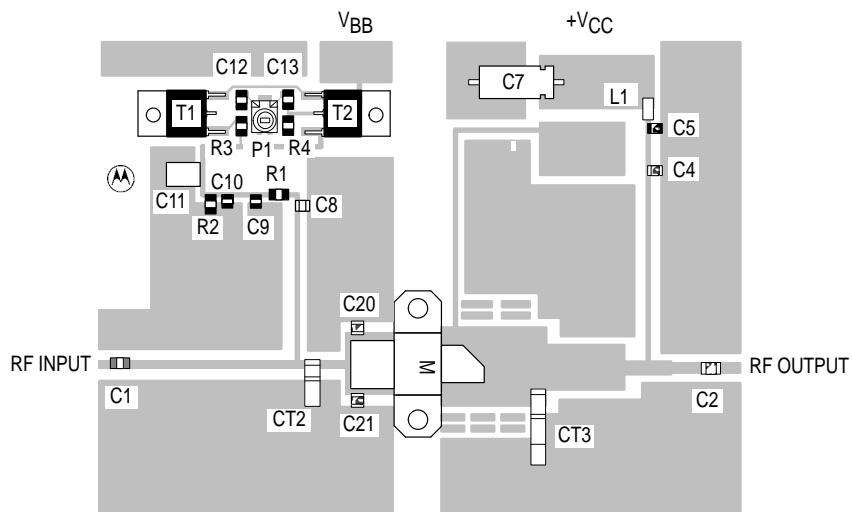
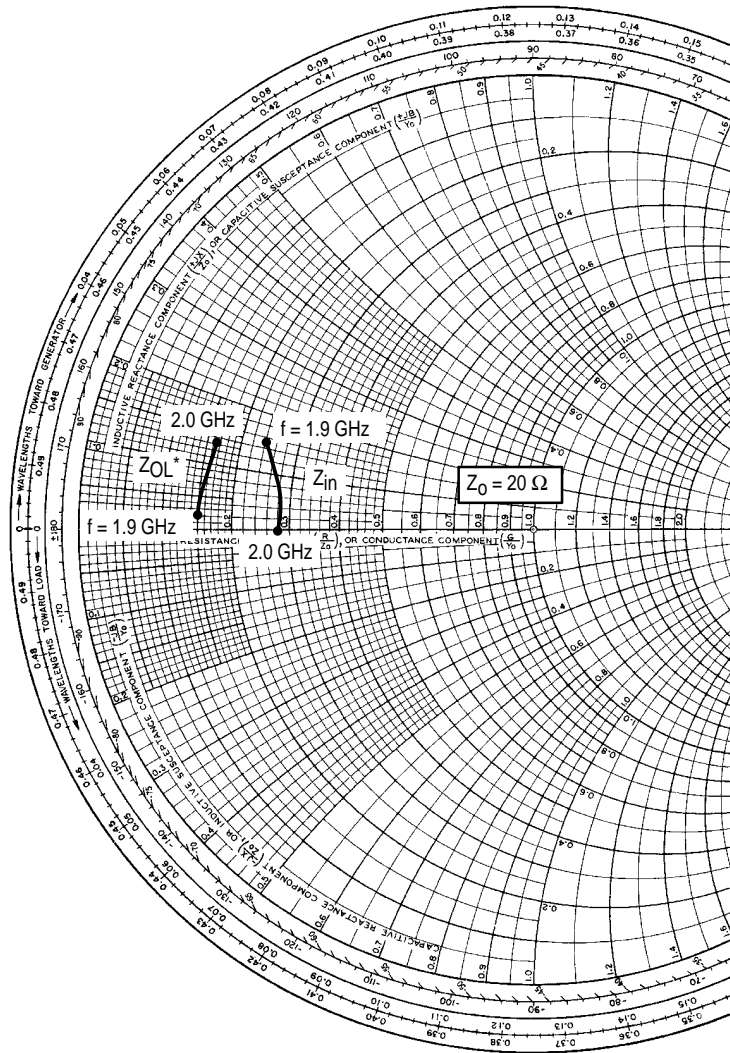


Figure 8. 1.80–1.88 GHz PCN Test Circuit Components Layout



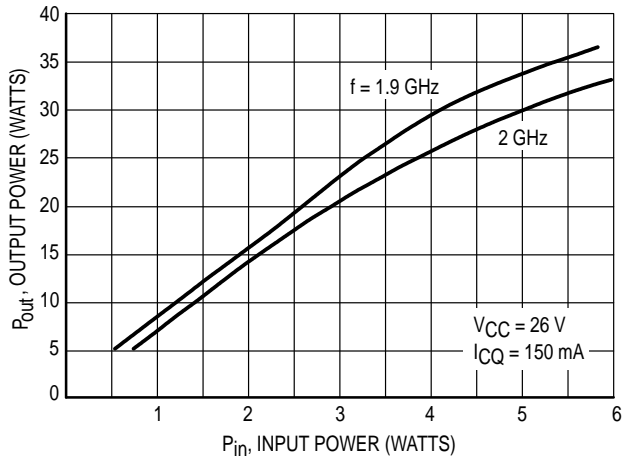
## PCS EVALUATION

f (GHz)	$Z_{in}$ ( $\Omega$ )	$Z_{OL}^*$ ( $\Omega$ )
1.90	$4.9 + j3.0$	$3.2 + j0.5$
1.93	$5.4 + j2.5$	$3.3 + j1.2$
1.97	$5.6 + j1.4$	$3.4 + j1.5$
2.00	$5.4 - j0.2$	$3.6 + j2.5$

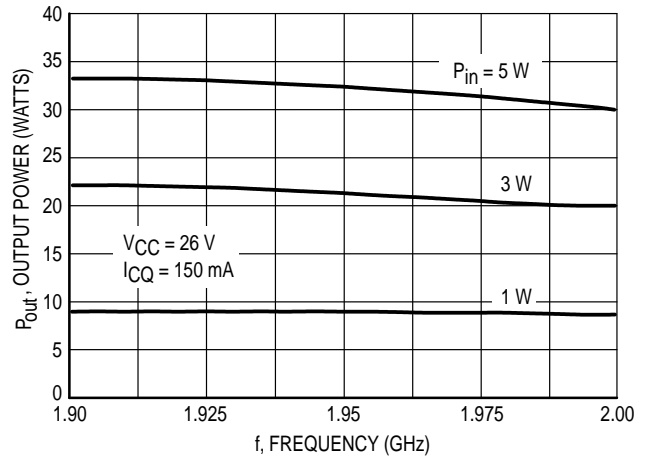
$Z_{OL}^*$ : Conjugate of optimum load impedance into which the device operates at a given output power, voltage, current and frequency.

Figure 9. Input and Output Impedances with Circuit Tuned for Maximum Gain  
 @  $V_{CC} = 26 \text{ V}$ ,  $I_{CQ} = 150 \text{ mA}$ ,  $P_{out} = 28 \text{ W}$

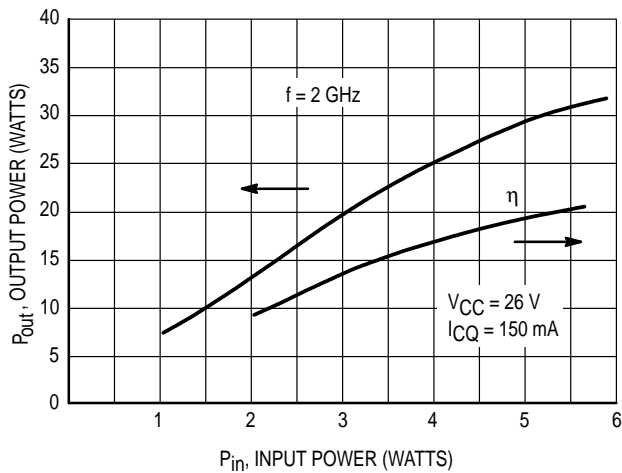
## TYPICAL CHARACTERISTICS



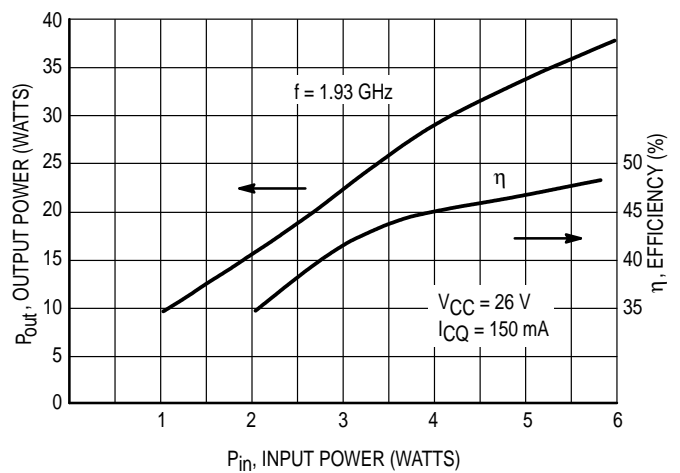
**Figure 10. Output Power versus Input Power**



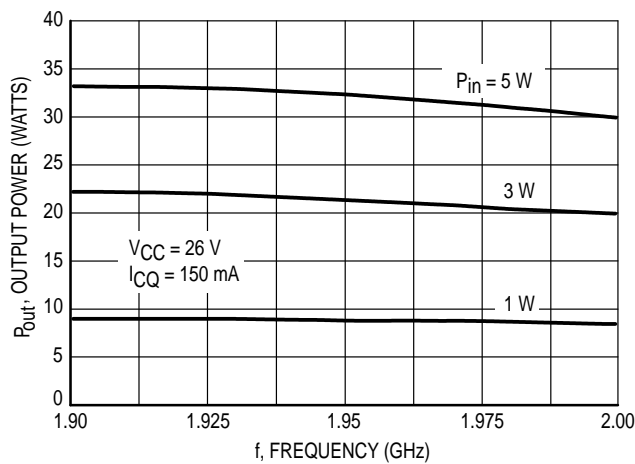
**Figure 11. Output Power versus Frequency**



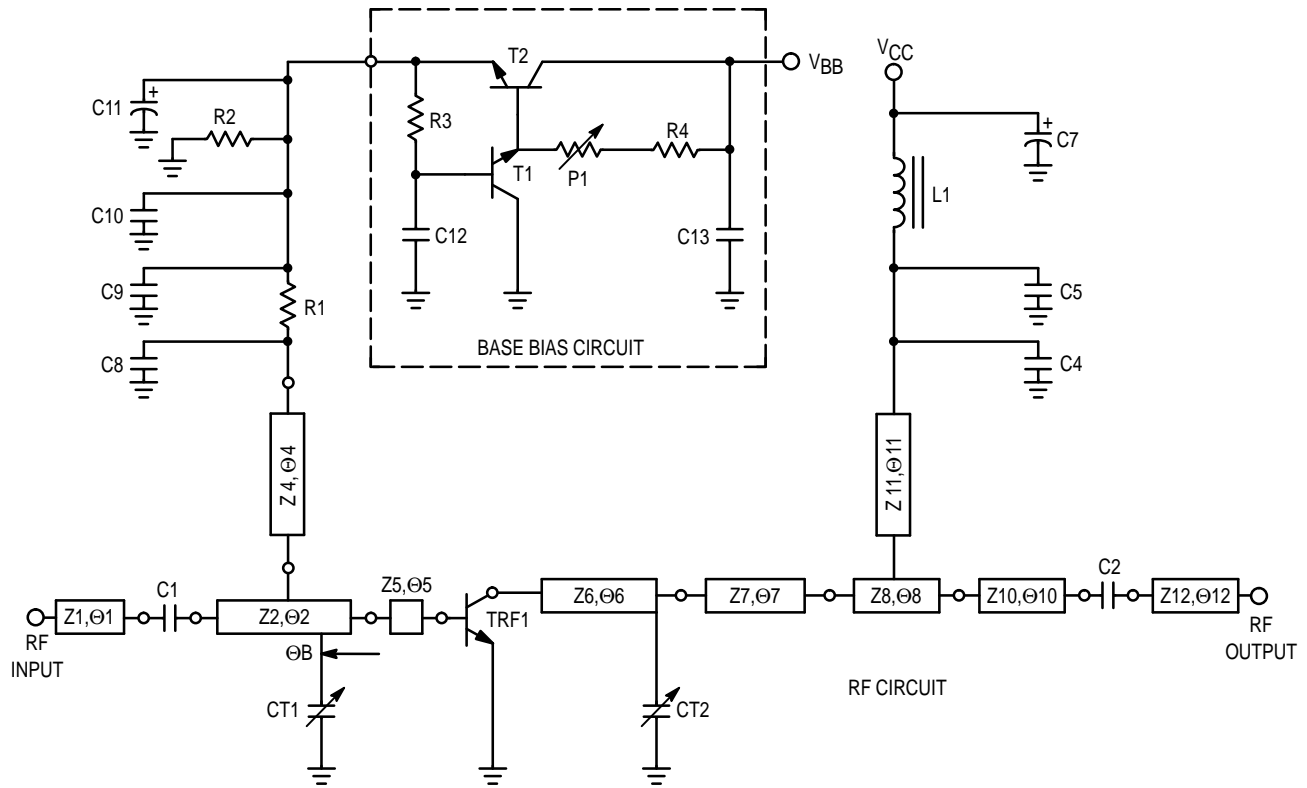
**Figure 12. Output Power and Efficiency versus Input Power**



**Figure 13. Output Power and Efficiency versus Input Power**



**Figure 14. Output Power versus Frequency**



#### Base Bias Circuit

C12, C13	15 nF, Chip Capacitor, Vitramon (0805 A153 JXB)
P1	1 K $\Omega$ , Trimmer
R3	47 $\Omega$ , Chip Resistor, 0805
R4	330 $\Omega$ , Chip Resistor, 0805
T1, T2	Motorola MJD 31C

#### Decoupling Base Bias Circuit

C4	68 pF, Chip Capacitor, ATC 100A
C5, C9	330 pF, Chip Capacitor, Vitramon (0805 A331 JXB)
C7, C11	4.7 $\mu$ F, 63 V, Electrolytic Capacitor
C8	68 pF, Chip Capacitor, ATC 100A
C10	15 nF, Chip Capacitor, Vitramon (0805 A153 JXB)
R1	1.2 $\Omega$ , Chip Resistor, 0805
R2	56 $\Omega$ , Chip Resistor, 1206

#### RF Circuit

C1, C2	68 pF, Chip Capacitor, ATC 100A
C20, C21	1.3 pF, Chip Capacitor, ATC 100A
CT1, CT2	Trimmer Capacitor, Gigatrim, Ref 37271
TRF1	MRF6404

#### PC Board Material:

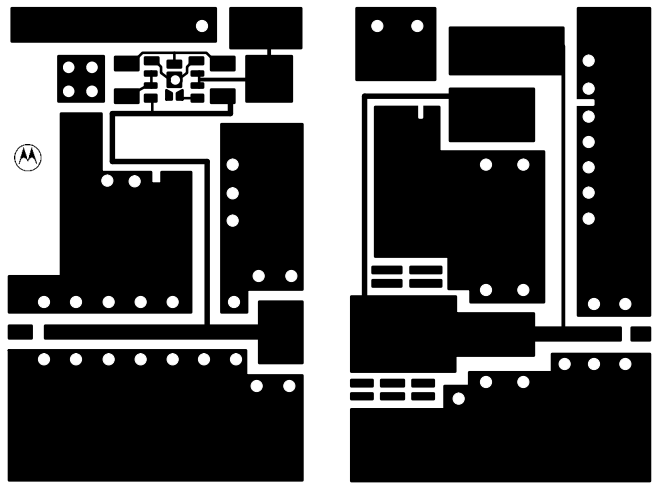
$\epsilon_r = 2.55$ , H = 0.508 mm, T = 0.035 mm

All Electrical Lengths Are Referenced from  $\lambda_g$  @  $f = 1.9$  GHz

Z1 : 50 $\Omega$	$\Theta 1$ : 10 $^\circ$
Z2 : 50 $\Omega$	$\Theta 2$ : 74.5 $^\circ$ $\Theta B$ : 16.5 $^\circ$
Z4 : 74 $\Omega$	$\Theta 4$ : 68 $^\circ$
Z5 : 12.8 $\Omega$	$\Theta 5$ : 21 $^\circ$
Z6 : 10.4 $\Omega$	$\Theta 6$ : 49.5 $^\circ$
Z7 : 18 $\Omega$	$\Theta 7$ : 36.5 $^\circ$
Z8 : 45 $\Omega$	$\Theta 8$ : 20 $^\circ$
Z10 : 50 $\Omega$	$\Theta 10$ : 10 $^\circ$
Z11 : 74 $\Omega$	$\Theta 11$ : 60 $^\circ$
Z12 : 50 $\Omega$	$\Theta 12$ : 10 $^\circ$

Figure 15. 1.9–2.0 GHz Test Circuit Electrical Schematic and Components List





(Not to Scale)

Teflon® Glass 0.5 mm – Double Side 35 μm Cu.

Figure 16. 1.9–2.0 GHz Test Circuit Photomaster

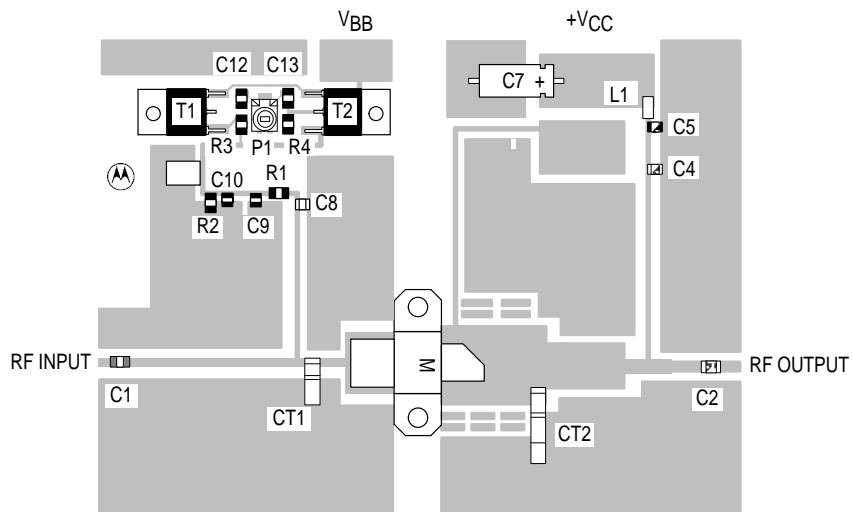
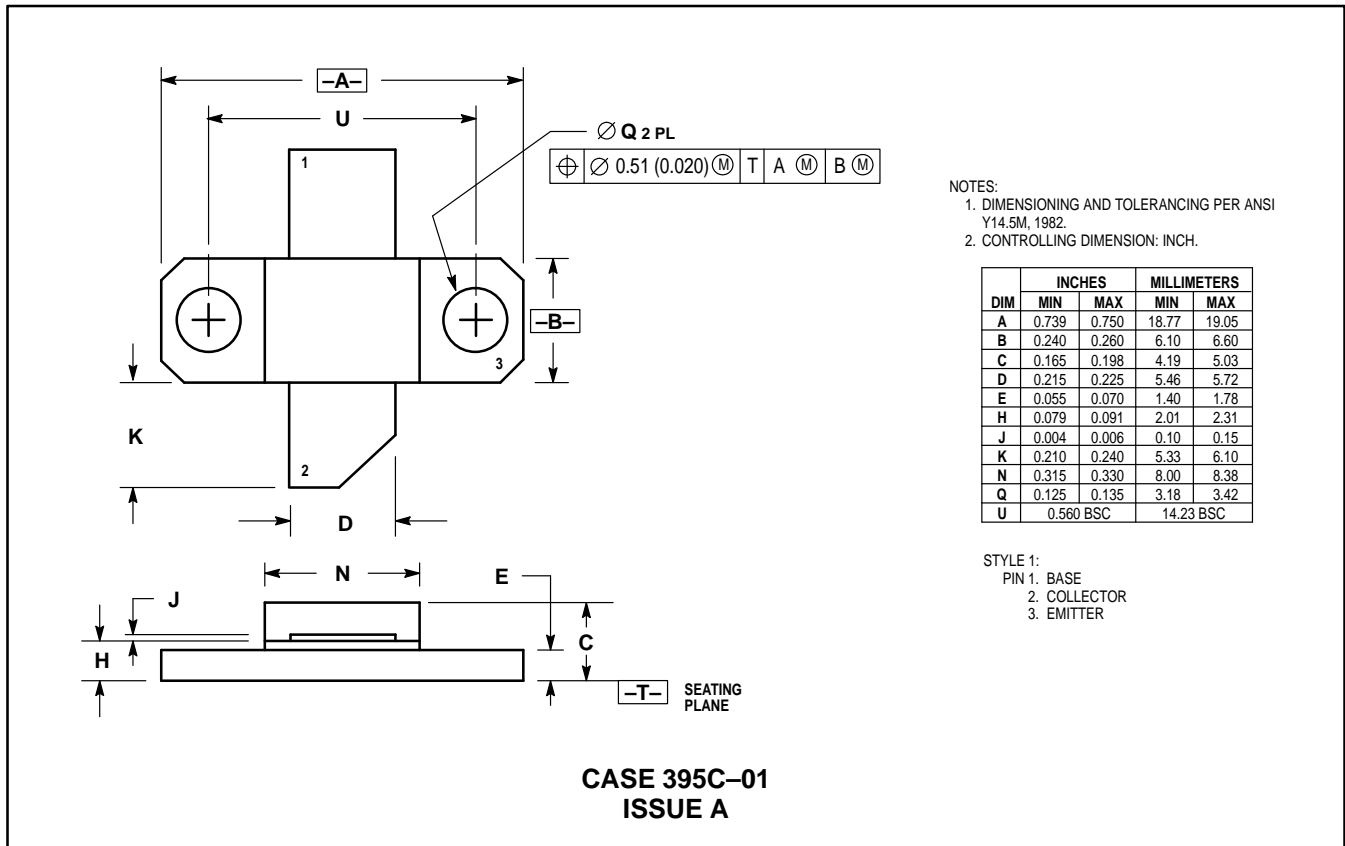


Figure 17. 1.9–2.0 GHz Test Circuit Components Layout

## PACKAGE DIMENSIONS



NOTES:  
 1. DIMENSIONING AND TOLERANCING PER ANSI Y14.5M, 1982.  
 2. CONTROLLING DIMENSION: INCH.

DIM	INCHES		MILLIMETERS	
	MIN	MAX	MIN	MAX
A	0.739	0.750	18.77	19.05
B	0.240	0.260	6.10	6.60
C	0.165	0.198	4.19	5.03
D	0.215	0.225	5.46	5.72
E	0.055	0.070	1.40	1.78
H	0.079	0.091	2.01	2.31
J	0.004	0.006	0.10	0.15
K	0.210	0.240	5.33	6.10
N	0.315	0.330	8.00	8.38
Q	0.125	0.135	3.18	3.42
U	0.560 BSC		14.23 BSC	

STYLE 1:  
 PIN 1. BASE  
 PIN 2. COLLECTOR  
 PIN 3. EMITTER

Motorola reserves the right to make changes without further notice to any products herein. Motorola makes no warranty, representation or guarantee regarding the suitability of its products for any particular purpose, nor does Motorola assume any liability arising out of the application or use of any product or circuit, and specifically disclaims any and all liability, including without limitation consequential or incidental damages. "Typical" parameters which may be provided in Motorola data sheets and/or specifications can and do vary in different applications and actual performance may vary over time. All operating parameters, including "Typicals" must be validated for each customer application by customer's technical experts. Motorola does not convey any license under its patent rights nor the rights of others. Motorola products are not designed, intended, or authorized for use as components in systems intended for surgical implant into the body, or other applications intended to support or sustain life, or for any other application in which the failure of the Motorola product could create a situation where personal injury or death may occur. Should Buyer purchase or use Motorola products for any such unintended or unauthorized application, Buyer shall indemnify and hold Motorola and its officers, employees, subsidiaries, affiliates, and distributors harmless against all claims, costs, damages, and expenses, and reasonable attorney fees arising out of, directly or indirectly, any claim of personal injury or death associated with such unintended or unauthorized use, even if such claim alleges that Motorola was negligent regarding the design or manufacture of the part. Motorola and are registered trademarks of Motorola, Inc. Motorola, Inc. is an Equal Opportunity/Affirmative Action Employer.

**How to reach us:**

**USA/EUROPE/Locations Not Listed:** Motorola Literature Distribution;  
 P.O. Box 20912; Phoenix, Arizona 85036. 1-800-441-2447 or 602-303-5454

**JAPAN:** Nippon Motorola Ltd.; Tatsumi-SPD-JLDC, 6F Seibu-Butsuryu-Center,  
 3-14-2 Tatsumi Koto-Ku, Tokyo 135, Japan. 03-81-3521-8315

**MFAX:** RMFAX0@email.sps.mot.com - TOUCHTONE 602-244-6609  
**INTERNET:** http://Design-NET.com

**ASIA/PACIFIC:** Motorola Semiconductors H.K. Ltd.; 8B Tai Ping Industrial Park,  
 51 Ting Kok Road, Tai Po, N.T., Hong Kong. 852-26629298



MRF6404/D

