

## INFRARED REMOTE CONTROL TRANSMITTER

### DESCRIPTION

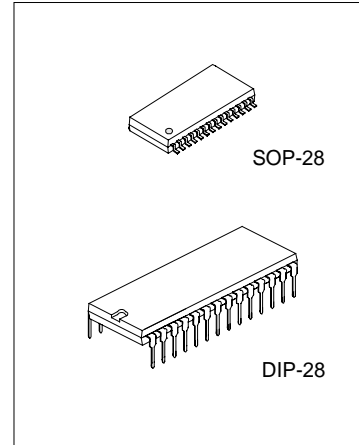
SC3010 is a remote control transmitter utilizing CMOS Technology specially designed for use on general purpose (RC-5) infrared applications with low voltage supply and large debounce time. SC3010 supports 32 systems. Each system has a maximum of 64 commands; thus, SC3010 can provide up to a total of 2,048 commands.

### FEATURES

- \* CMOS Technology
- \* Low Voltage Supply
- \* Supports up to 32 systems
- \* Single Pin Oscillator
- \* Bi-phase Transmission Technique
- \* Provides 2,048 Commands

### APPLICATIONS

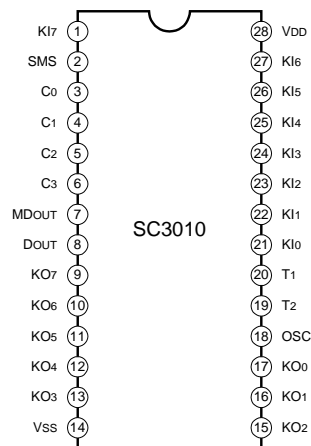
- \* Television
- \* VCR
- \* Audio Equipment
- \* Multi-Media System
- \* Personal Computer



### ORDERING INFORMATION

SC3010	DIP-28 Package
SC3010S	SOP-28 Package

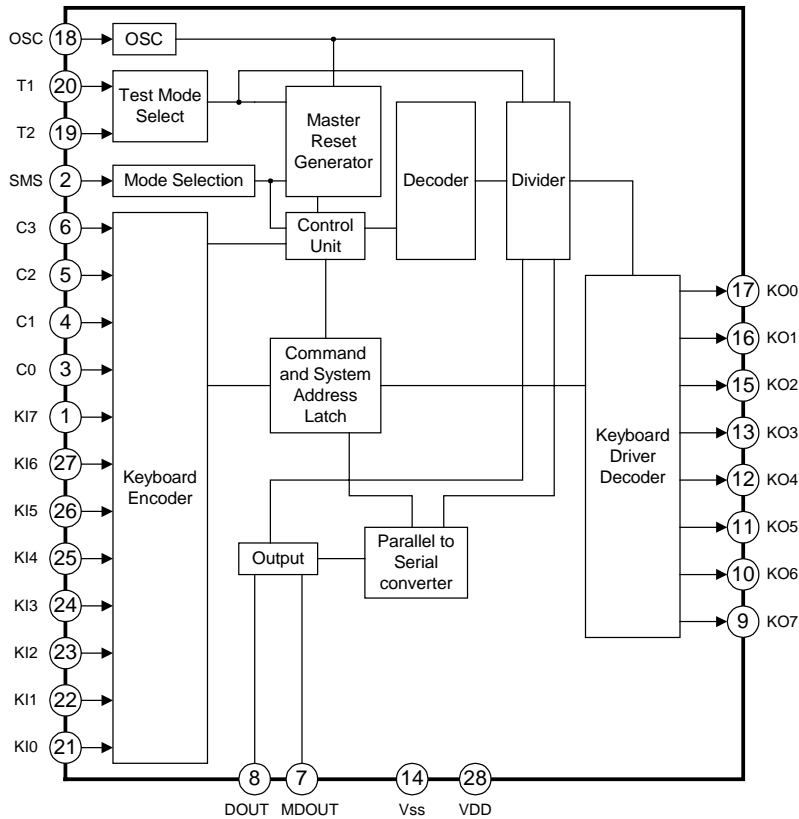
### PIN CONFIGURATIONS



— HANGZHOU SILAN MICROELECTRONICS JOINT-STOCK CO.,LTD —

Rev: 2.1 2002-02-28

**BLOCK DIAGRAM**



**ABSOLUTE MAXIMUM RATING** (Tamb=25°C, unless otherwise specified)

Characteristic	Symbol	Test conditions	Value	Unit
Supply Voltage*	V <sub>DD</sub>		V <sub>SS</sub> -0.3 ~ 5.5	V
Input Voltage*	V <sub>IN</sub>	V <sub>DD</sub> =3 V	-0.5 - V <sub>DD</sub> +0.5	V
Output Voltage*	V <sub>OUT</sub>	V <sub>DD</sub> =3 V	-0.5 - V <sub>DD</sub> +0.5	V
Operating Temperature	T <sub>OPR</sub>	V <sub>DD</sub> =3 V	-20~85	°C

NOTE: \* = with reference to V<sub>SS</sub>

— HANGZHOU SILAN MICROELECTRONICS JOINT-STOCK CO.,LTD —

Rev: 2.1 2002-02-28

**ELECTRICAL CHARACTERISTICS** (Tamb=25°C, unless otherwise specified)

Parameter	Symbol	Test conditions	Min	Typ	Max	Unit
Supply Voltage	VDD	Freq=455KHz	2.0	3.0	5.5	V
Stand-By Current	IDD	VDD =3V (Output no load)		0	10	μA
Input Current(KI0~KI7,C0~C3)	IIN	VI=0V T1=0 T2=0 SMS=0		15	600	μA
High Level Input Voltage (KI0~KI7,C0~C3,SMS,T1,T2)	VIH	VDD =3V,(KI0~KI7 And C0~C3 Connected To VDD)	0.7 VDD			V
Low Level Input Voltage (KI0~KI7,C0~C3,SMS,T1,T2)	VIL	VDD =3V ,( T1,T2,OSC,SMS Connected To Vss)			0.3 VDD	V
Input Current Leakage (KI0~KI7,C0~C3)	ILEAK1	VI=3V VDD=3V T1=T2=High		0	1.0	μA
		VI=0V VDD=3V T1=T2=High		0	1.0	
Input Current Leakage (OSC)	ILEAK2	VI=0V VDD=3V T1=T2=High		0	1.0	μA
	ILEAK3	VI=3V VDD=3V T1=T2=High	4.5	15	30	
Input Leakage Current (SMS,T1,T2)	ILEAK4	VI=3V VDD=3V T=25°C		0	1.0	μA
		VI=0V VDD=3V T=25°C		0	1.0	
High Level Output Voltage (Dout, MDOUT)	VOH	VDD=3V IOH=0.4mA	VDD-0.3			V
Low Level Output Voltage (Dout, MDOUT)	VOL	VDD=3V IOH=0.6mA			0.35	
Output Current Leakage (Dout, MDOUT)	ILEAK5	Vo=3V VDD=3V T=25°C			10	μA
		Vo=0V VDD=3V T=25°C			1	
Low Level Output Voltage (KO0~KO7)	VOL	VDD=3V IOL=0.3mA			0.8	V
Output Current Leakage (KO0~KO7)	ILEAK6	Vo=3V VDD=3V T=25°C		0	1	μA
		Vo=3V VDD=3V T=-25~85°C		3	10	
Drive Current (Dout, MDout)	ID	VDD=3V Vo=1.5V	1.5		2	mA
Operational Frequency	Fosc1	VDD=3V	400		600	KHz
Free-Running Frequency	Fosc2	VDD=3V	50		100	KHz

**PIN DESCRIPTION**

Pin No.	Symbol	I/O	Description	NOTE
1	KI7	IP	Key Sense Input Pin	IP= Input with p-channel pull-up transistor;  OD = Output with open drain n-channel transistor
2	SMS	I	System Mode Selection Input Pin	
3-6	C0~C3	IP	Key Sense Input Pins	
7	MDOUT	O	Generated Output Data Pin modulated with 1/12 oscillator frequency at a 25% duty factor	
8	DOUT	O	Generated Output Data Pin	
9~13	KO7~KO3	OD	Scan Driver Pins	
14	VSS	Power	Negative Power Supply	
15~17	KO2~KO0	OD	Scan Driver Pins	
18	OSC	I	Oscillator Input Pin	
19	T2	I	Test Pin 2	
20	T1	I	Test Pin 1	
21~27	KI0~KI6	IP	Key Sense Input Pins	
28	VDD	Power	Positive Power Supply	

— HANGZHOU SILAN MICROELECTRONICS JOINT-STOCK CO.,LTD —

Rev: 2.1 2002-02-28

## FUNCTIONAL DESCRIPTION

### 1. KEY INPUT OPERATION

A Key Input Operation may be considered legal or illegal depending on the keys pressed. For key interconnection refer to the application circuit diagram in APPLICATION CIRCUIT SECTION. The maximum value of the switched key contact series resistance is 7kΩ.

#### a). Legal Key Input

A legal key input operation enables the device to activate the corresponding codes. A key input operation is considered as legal if it is 1). a connection of one K-Input (KI0~KI7) to one K-Output (KO0~KO7), or 2). a connection of one C-Input(C0~C3) to one K-Output (KO0~KO7) when the System Mode Selection (SMS) Pin is in a LOW state. If the SMS is in a HIGH state, then a wired connection must be made between a C-Input to a K-Output in order to generate the system number. For connections consisting of one K-Input or C-Input to more than one K-Output Pins, the last scan signal is recognized as LEGAL.

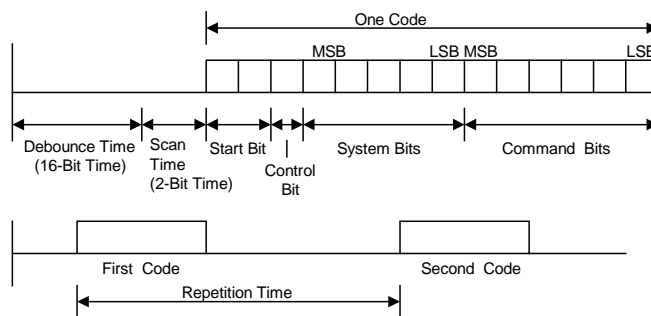
#### b). Illegal Key Input

An illegal key input operation does not produce any activity. No activity will be generated if 1) two or more K-Input/C-Input Pins or 2) C-Input and K-Input Pins are activated simultaneously. The oscillator will not start. Thus, this operation is considered as ILLEGAL.

### 2. INPUTS: KI0~KI7 & C0~C3

In the quiescent state, the command inputs KI0~KI7 are pulled HIGH by an internal pull-up transistor. Also if the system is quiescent and the System Mode Selection Input (SMS) is in High state so that current flow may be prevented. A wired connection in the C-KO Matrix provides 32 systems.

### 3. DATA OUTPUT



Where: debounce time+ scan time=18 bit-times, Repetition time=4x16 bit-times

Figure 1: Data Output Format

The generated information is transmitted through the output signal DOUT. The Data Output Code consists of 1.5 Start Bits (2xLogic 1), 1 Control Bit, 5 System Bits, and 6 Command Bits. Please refer to the diagram above for the data output format. (See also Command and System Matrixes).

After a legal key operation is performed, the KO outputs are switched off and a 16-bit debounce time period is experienced followed by a 2-bit scan cycle time. During the scanning cycle the outputs are switched to the conductive state one at a time.

Code is transmitted using a biphase technique. Please refer to the diagram below. The MDOUT Output Signal transmits the generated data modulated by 1/12 of the oscillator frequency with a 25% duty factor.

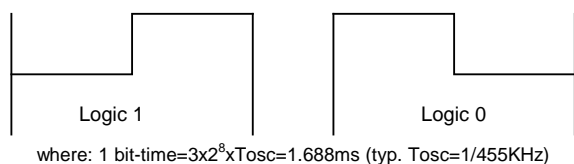


Figure 2: Biphase Code Transmission Technique

Both the DOUT and the MDOUT are non-conducting (3-state outputs) when in the quiescent state. The Scan Driver Outputs (KO0~KO7) are open drain n-channel and conduct when the circuit is in the quiescent state.

#### 4. SYSTEM MODES

##### a). Combined System Mode (SMS=Low)

The KI and the C Sense Inputs have p-channel pull-up transistors (meaning they are normally in HIGH state). They are pulled to LOW state when an output is connected, to them as a result of a legal key operation. A legal key operation in the KI-KO or C-KO Matrix will initiate a debounce cycle. Once key contact has been established for 18-bit time without any interruption, the Oscillator Enable Signal is latched and the key may be released. The device is reset when there is an interruption during the 18-bit time period. At the end of the debounce cycle, KO Outputs are switched off and two scan cycles begins.

When KI or C Input senses a low level output, a Latch-Enable Signal is fed to the System (C-Input) or Command (KI-Input) Latches. After latching a system number, the device will generate the last command (i.e. all command bits logic 1) in the selected system for as long as the key is pressed. Latching of a command number causes the chip to generate this command together with the system number stored in the system latch. By releasing the key, the device will be reset if no data is to be transmitted at the time. The complete code frame is transmitted even if the key is released during code transmission.

———— *HANGZHOU SILAN MICROELECTRONICS JOINT-STOCK CO.,LTD* ————

Rev: 2.1 2002-02-28

**b). Single System Mode (SMS=High)**

In the Single System Mode, the KI-Sense Inputs are also pulled High by the p-channel pull-up transistors, as in the Combined System Mode. The C-Sense Inputs, however, are disabled by switching off their pull-high transistors. A system code is provided by a wired connection between the C-KO Matrix. The debounce cycle can ONLY be started by any legal key operation in the KI-KO Matrix. Once the key contact has been established for 18-bit time without any interruption, the Oscillator-Enable Signal is latched and the key may be released. Any interruption during the 18-bit time period resets the internal action.

At the end of the debounce cycle, the pull-up transistors in the KI-Lines are then switched off and the pull-up transistors in the C-lines are turned ON for the first scan cycle. The wired connection in the C-matrix matrix is then translated into a system number and stored in the system latch. At the end of the first scan cycle, 1) the C-Input pull-up transistors are switched off and the inputs are again disabled, 2) KI-Sense Input pull-up transistors are turned on. The command number is generated by the second scan cycle. This command number is then latched and transmitted together with the system number.

**5.KEY RELEASE DETECTION**

An additional control bit is complemented after key release. This additional control bit tells the decoder that the next code is a new command. This feature is important in cases where more digits are needed to be inputted (i.e. Teletext channel numbers or Viewdata pages). The extra control bit will only be complemented after the completion of at least one code transmission. The scan cycles are repeated before every code transmission; thus, even with the Take Over of key operation during the code transmission, the correct system and command numbers are generated.

**6.RESETTING THE DEVICE**

The device will immediately reset under the following conditions:

- 1). A key is released during the debounce time
- 2). A key is released between two codes
- 3). During Matrix Scanning
  - a). A key is released while one of the drivers outputs is in the low ohmic state (Logic 0)
  - b). A key is released before that key has been detected.
  - c). There is no wired connection in the C-KO Matrix when SMS is in High State.

#### **7. OSCILLATOR**

The OSC is a 1-pin oscillator input/output terminal. The oscillator is constructed by connecting in series a ceramic resonator like TOKO CRK429.

#### **8. TEST MODE**

When T1, T2 and OSC Pins are in HIGH State, the circuit initializes. All internal nodes except for the LATCH are defined. The latch is defined when a scan cycle starts by pulling down a KI or a C Input while the oscillator is active.

If the debounce cycle has been completed, then the scan cycle can be accomplished  $3 \times 2^3$  times faster by setting the T1 to HIGH. If the scan cycle has been completed, the Latch contents can be read  $3 \times 2^7$  times faster by setting the T2 to HIGH.

## SC3010 COMMAND MATRIX DATA CODE

The Command Matrix Data Code is given in the table below:

No.	KI-Line							KO-Line							Command Bits							
	0	1	2	3	4	5	6	7	0	1	2	3	4	5	6	7	5	4	3	2	1	0
0	.								.								0	0	0	0	0	0
1	.									.							0	0	0	0	0	1
2	.										.						0	0	0	0	1	0
3	.											.					0	0	0	0	1	1
4	.												.				0	0	0	1	0	0
5	.													.			0	0	0	1	0	1
6	.														.		0	0	0	1	1	0
7	.															.	0	0	0	1	1	1
8		.							.								0	0	1	0	0	0
9		.								.							0	0	1	0	0	1
10		.									.						0	0	1	0	1	0
11		.										.					0	0	1	0	1	1
12		.											.				0	0	1	1	0	0
13		.												.			0	0	1	1	0	1
14		.													.		0	0	1	1	1	0
15		.														.	0	0	1	1	1	1
16			.						.								0	1	0	0	0	0
17			.							.							0	1	0	0	0	1
18			.								.						0	1	0	0	1	0
19			.									.					0	1	0	0	1	1
20			.										.				0	1	0	1	0	0
21			.											.			0	1	0	1	0	1
22			.												.		0	1	0	1	1	0
23			.													.	0	1	0	1	1	1
24				.					.								0	1	1	0	0	0
25				.						.							0	1	1	0	0	1
26				.							.						0	1	1	0	1	0
27				.								.					0	1	1	0	1	1
28				.									.				0	1	1	1	0	0
29				.										.			0	1	1	1	0	1
30				.											.		0	1	1	1	1	0
31				.												.	0	1	1	1	1	1

(to be continued)

— HANGZHOU SILAN MICROELECTRONICS JOINT-STOCK CO.,LTD —

Rev: 2.1 2002-02-28



(continued)

No.	KI-Line							KO-Line							Command Bits							
	0	1	2	3	4	5	6	7	0	1	2	3	4	5	6	7	5	4	3	2	1	0
32					.				.								1	0	0	0	0	0
33					.				.								1	0	0	0	0	1
34					.					.							1	0	0	0	1	0
35					.						.						1	0	0	0	1	1
36					.							.					1	0	0	1	0	0
37					.								.				1	0	0	1	0	1
38					.									.			1	0	0	1	1	0
39					.										.		1	0	0	1	1	1
40					.			.									1	0	1	0	0	0
41					.			.									1	0	1	0	0	1
42					.			.									1	0	1	0	1	0
43					.			.									1	0	1	0	1	1
44					.			.				.					1	0	1	1	0	0
45					.			.				.					1	0	1	1	0	1
46					.			.				.			.		1	0	1	1	1	0
47					.			.				.			.		1	0	1	1	1	1
48					.		.	.				.			.		1	1	0	0	0	0
49					.		.	.		.		.			.		1	1	0	0	0	1
50					.		.	.		.		.			.		1	1	0	0	1	0
51					.		.	.		.		.			.		1	1	0	0	1	1
52					.		.	.		.		.			.		1	1	0	1	0	0
53					.		.	.		.		.		.	.		1	1	0	1	0	1
54					.		.	.		.		.		.	.		1	1	0	1	1	0
55					.		.	.		.		.		.	.		1	1	0	1	1	1
56					.		.	.	.	.		.		.	.		1	1	1	0	0	0
57					.		.	.	.	.		.		.	.		1	1	1	0	0	1
58					.		.	.	.	.	.	.		.	.		1	1	1	0	1	0
59					.		.	.	.	.	.	.		.	.		1	1	1	0	1	1
60					.		.	.	.	.	.	.	.	.	.		1	1	1	1	0	0
61					.		.	.	.	.	.	.	.	.	.		1	1	1	1	0	1
62					.		.	.	.	.	.	.	.	.	.		1	1	1	1	1	0
63					.		.	.	.	.	.	.	.	.	.		1	1	1	1	1	1

— HANGZHOU SILAN MICROELECTRONICS JOINT-STOCK CO.,LTD —

Rev: 2.1 2002-02-28

## SC3010 SYSTEM MATRIX DATA CODE

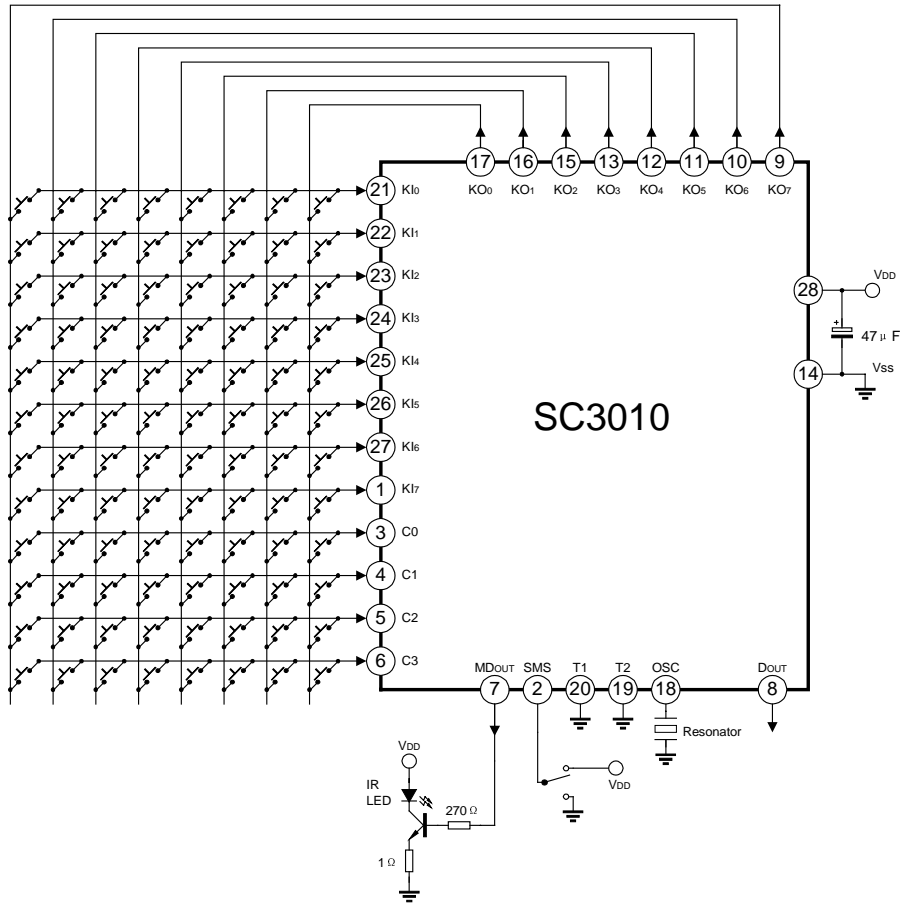
The System Matrix Data Code for K-KO Lines are given in the table below:

System No.	C-Line				KO-Line							System Bits					
	0	1	2	3	0	1	2	3	4	5	6	7	4	3	2	1	0
0	.				.								0	0	0	0	0
1	.					.							0	0	0	0	1
2	.						.						0	0	0	1	0
3	.							.					0	0	0	1	1
4	.								.				0	0	1	0	0
5	.									.			0	0	1	0	1
6	.										.		0	0	1	1	0
7	.											.	0	0	1	1	1
8		.			.								0	1	0	0	0
9		.				.							0	1	0	0	1
10		.					.						0	1	0	1	0
11		.						.					0	1	0	1	1
12		.							.				0	1	1	0	0
13		.								.			0	1	1	0	1
14		.									.		0	1	1	1	0
15		.										.	0	1	1	1	1
16			.		.								1	0	0	0	0
17			.			.							1	0	0	0	1
18			.				.						1	0	0	1	0
19			.					.					1	0	0	1	1
20			.						.				1	0	1	0	0
21			.							.			1	0	1	0	1
22			.								.		1	0	1	1	0
23			.									.	1	0	1	1	1
24				.	.								1	1	0	0	0
25				.		.							1	1	0	0	1
26				.			.						1	1	0	1	0
27				.				.					1	1	0	1	1
28				.					.				1	1	1	0	0
29				.						.			1	1	1	0	1
30				.							.		1	1	1	1	0
31				.								.	1	1	1	1	1

— HANGZHOU SILAN MICROELECTRONICS JOINT-STOCK CO.,LTD —

Rev: 2.1 2002-02-28

**APPLICATION CIRCUIT**

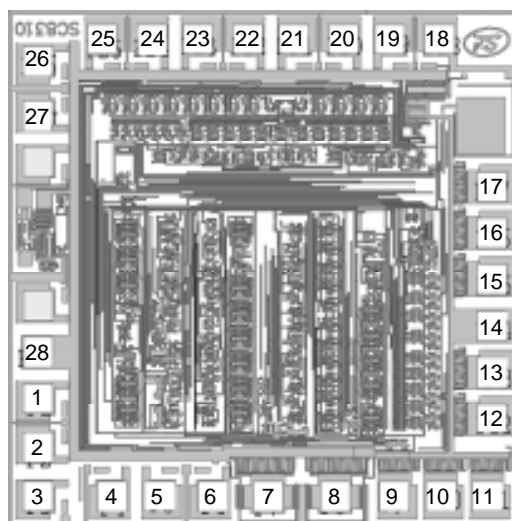


NOTE: There is a connection between the C0-C3 Lines and KO0-KO7 Lines if SMS is tied to VDD.

— HANGZHOU SILAN MICROELECTRONICS JOINT-STOCK CO.,LTD —

Rev: 2.1 2002-02-28

**CHIP TOPOGRAPHY**



size: 1.71 x 1.69 mm<sup>2</sup>

**PAD COORDINATES** (Unit:  $\mu\text{m}$ )

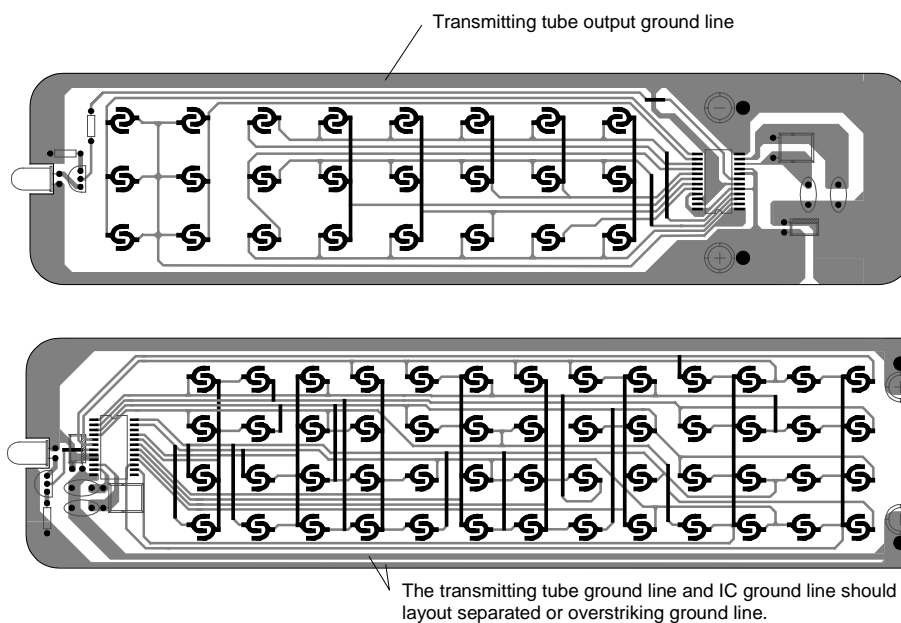
No.	Symbol	X	Y	No.	Symbol	X	Y
1	P1	-674.50	-407.50	15	P15	693.50	-49.00
2	P2	-674.50	-554.00	16	P16	693.50	91.00
3	P3	-674.50	-704.00	17	P17	693.50	231.00
4	P4	-450.50	-704.00	18	P18	537.00	680.50
5	P5	-309.75	-704.25	19	P19	386.75	680.50
6	P6	-146.50	-704.25	20	P20	246.75	680.50
7	P7	-18.75	-704.25	21	P21	97.25	680.50
8	P8	221.75	-704.25	22	P22	-42.75	680.50
9	P9	400.25	-704.25	23	P23	-192.25	680.50
10	P10	539.25	-704.25	24	P24	-332.00	680.50
11	P11	679.00	-704.25	25	P25	-481.50	680.50
12	P12	693.50	-468.75	26	P26	-674.50	614.50
13	P13	693.50	-329.00	27	P27	-674.50	449.00
14	P14	693.50	-189.00	28	P28	-674.50	267.375

Note: The original point of the coordinate is the die center.

— HANGZHOU SILAN MICROELECTRONICS JOINT-STOCK CO.,LTD —

Rev: 2.1 2002-02-28

**PCB WIRE LAYOUT SCHEMATIC:**

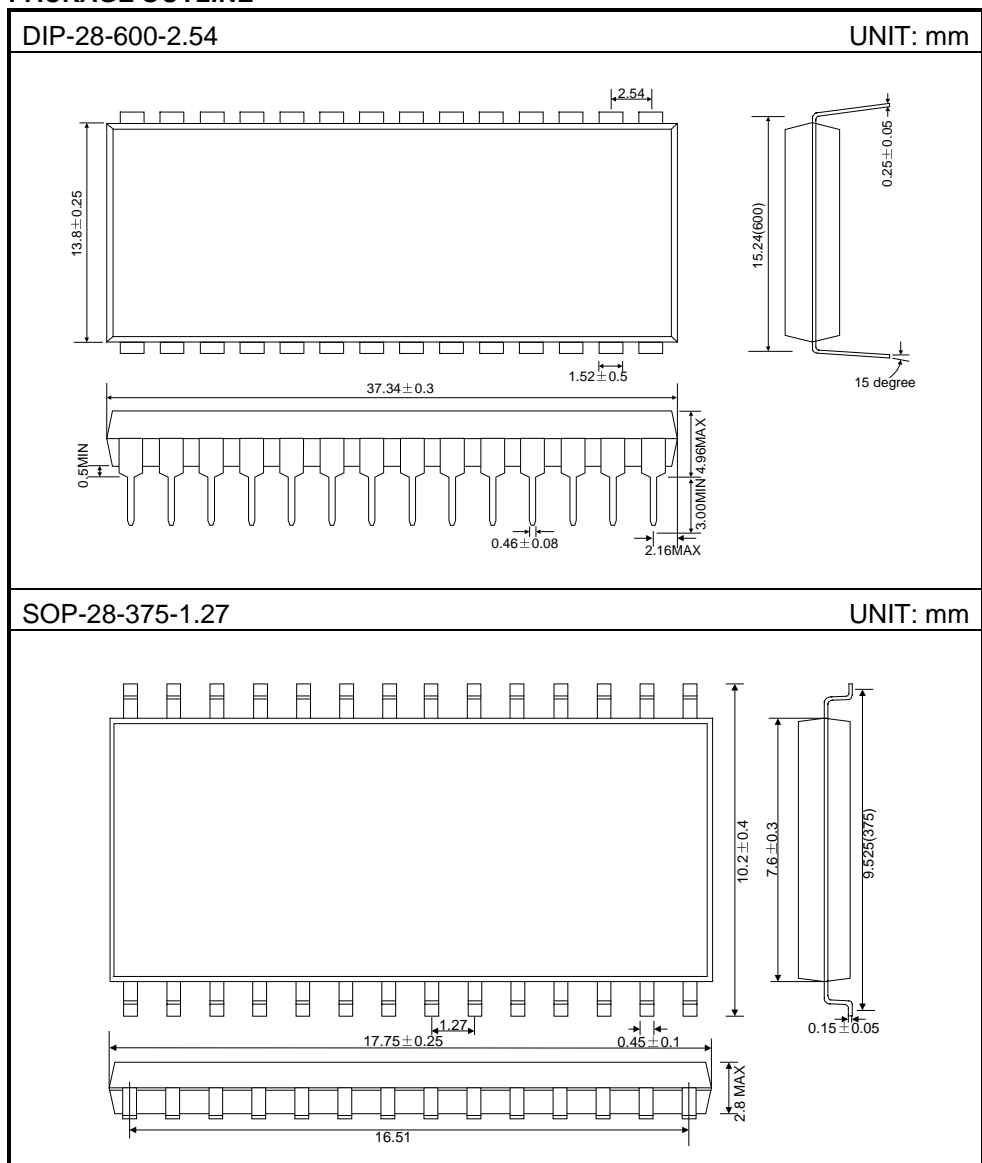


The above IC only use to hint, not to specified.

**Note::**

- \* In wire layout, the power filter capacitor should near to IC.
- \* In wire layout, should avoid power line and ground line too long.
- \* Recommended infrared transmit unit and IC ground line should layout separated, or overstriking lines.
- \* The emitter of triode connect  $1\ \Omega$  resistor at least.
- \* Recommended triode use 9014.

**PACKAGE OUTLINE**



— HANGZHOU SILAN MICROELECTRONICS JOINT-STOCK CO.,LTD —

Rev: 2.1 2002-02-28

**Attach**

**Revision History**

<b>Data</b>	<b>REV</b>	<b>Description</b>	<b>Page</b>
2001.11.07	2.0		
2002.02.28	2.1	Modify the "Absolute maximum rating "	2
		Modify the "Application circuit "	11
		Add the "PCB wire layout schematic"	13
		Modify the "package outline"	14