

SOT-23 Plastic-Encapsulate Transistors

AV1015LT1 TRANSISTOR \bar{N} PNP EC

FEATURES

Power dissipation

$$P_{CM} : 0.2 \quad \text{W} \quad T_{amb}=25; \text{E}\text{C}$$

Collector current

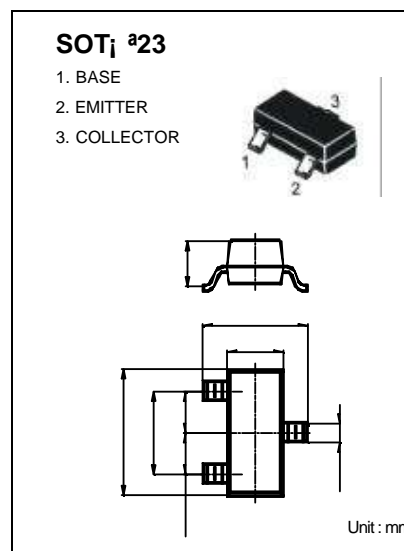
$$I_{CM} : -0.15 \quad \text{A}$$

Collector-base voltage

$$V_{(BR)CBO} : -50 \quad \text{V}$$

Operating and storage junction temperature range

$$T_{J\text{E}} \sim T_{stg} : -55; \text{E}\text{C} \text{ to } +150$$



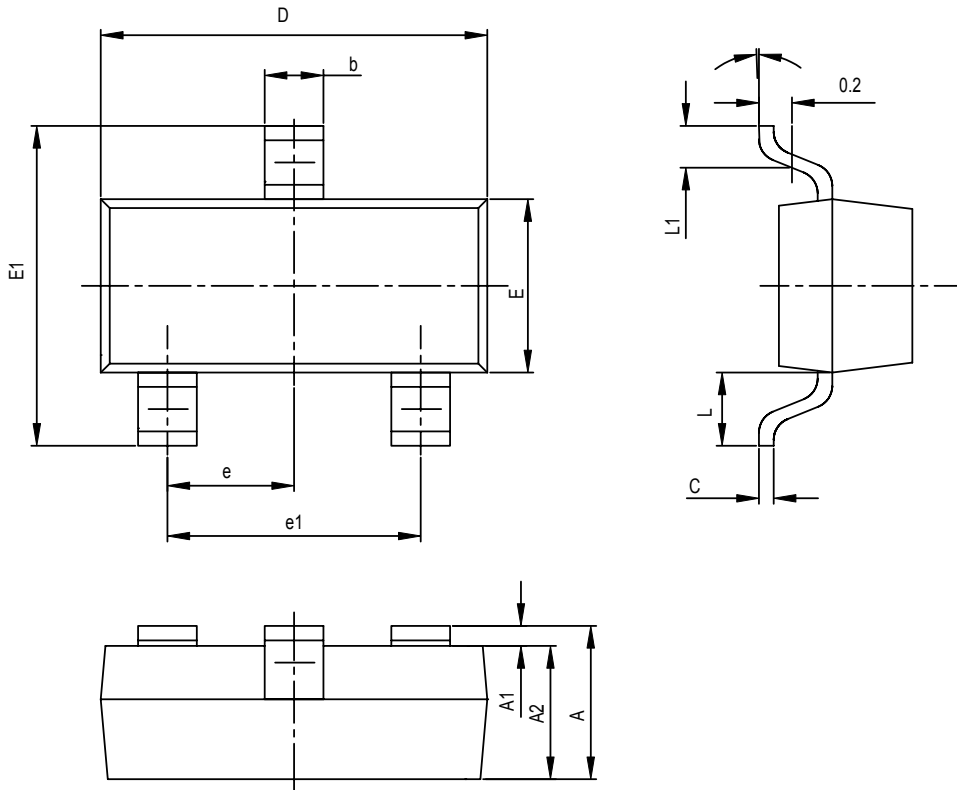
ELECTRICAL CHARACTERISTICS $T_{amb}=25; \text{E}\text{C}$ unless otherwise specified EC

Parameter	Symbol	Test conditions	MIN	TYP	MAX	UNIT
Collector-base breakdown voltage	$V_{(BR)CBO}$	$I_C = -100; \text{E}\text{C} \rightarrow I_E = 0$	-50			V
Collector-emitter breakdown voltage	$V_{(BR)CEO}$	$I_C = -0.1; \text{E}\text{C} \rightarrow I_B = 0$	-50			V
Emitter-base breakdown voltage	$V_{(BR)EBO}$	$I_E = -10; \text{E}\text{C} \rightarrow I_C = 0$	-5			V
Collector cut-off current	I_{CBO}	$V_{CB} = -50 \text{ V}, I_E = 0$			-0.1	μA
Collector cut-off current	I_{CEO}	$V_{CE} = -50 \text{ V}, I_B = 0$			-0.1	μA
Emitter cut-off current	I_{EBO}	$V_{EB} = -5 \text{ V}, I_C = 0$			-0.1	μA
DC current gain	$H_{FE(1)}$	$V_{CE} = -6 \text{ V}, I_C = -2 \text{ mA}$	130		400	
Collector-emitter saturation voltage	$V_{CE(sat)}$	$I_C = -100 \text{ mA}, I_B = -10 \text{ mA}$			-0.3	V
Base-emitter saturation voltage	$V_{BE(sat)}$	$I_C = -100 \text{ mA}, I_B = -10 \text{ mA}$			-1.1	V
Transition frequency	f_T	$V_{CE} = -10 \text{ V}, I_C = -1 \text{ mA}$ $f = 30 \text{ MHz}$	80			MHz

CLASSIFICATION OF $H_{FE(1)}$

Rank	L	H
Range	130-200	200-400
MARKING	BA	

SOT-23 PACKAGE OUTLINE DIMENSIONS



Symbol	Dimensions In Millimeters		Dimensions In Inches	
	Min	Max	Min	Max
A	0.900	1.100	0.035	0.043
A1	0.000	0.100	0.000	0.004
A2	0.900	1.000	0.035	0.039
b	0.300	0.500	0.012	0.020
c	0.080	0.150	0.003	0.006
D	2.800	3.000	0.110	0.118
E	1.200	1.400	0.047	0.055
E1	2.250	2.550	0.089	0.100
e	0.950TPY		0.037TPY	
e1	1.800	2.000	0.071	0.079
L	0.550REF		0.022REF	
L1	0.300	0.500	0.012	0.020
	0°	8°	0°	8°