

## DA4 US Series

3 - 8 Watts

**Total Power:** 3 - 8 Watts  
**Input Voltage:** 90 - 132 VAC  
**# of Outputs:** Single



### Special Features

- Switching wallmount power supply
- 300 mA output
- Applications include NiCd battery charging and LEDs
- Available in US AC plug
- Universal AC input
- Regulated output
- Overload and short circuit protection
- Constant voltage, constant current
- High MTBF
- Built in EMI filter (CISPR 22 Class B)
- LED power good indicator
- Energy Star
- Level V efficiency
- CeC Level IV
- < 300 mW no load power consumption

### Safety

**UL** 60950 / 1310  
**CUL** 60950 / 1310

## Electrical Specifications

Input	
Input range:	90 - 132 VAC
Frequency:	47 - 63 Hz
EMI/RFI:	FCC Part 15, Subpart B Class B & EN55022 (CISPR 22) Class B & EMC89/336/EEC
Safety ground leakage current:	50 $\mu$ A @ 50/60 Hz, 115 VAC input
Output	
Voltage (Vo):	11 - 26.5 Vdc
Maximum Power (Po):	3 - 8 W
Hold-up time:	15 ms. typical at full load @ 115 VAC
Overvoltage protection:	25% above nominal output maximum Latching type
Overload protection:	Output short circuit protection auto recover Overload protected > 420 mA
Output cable/ connector barrel polarity:	DC cable with 2.5 mm x 5.5 mm barrel plug DC plug center +V; DC plug outer -V
Reverse polarity:	DC plug center -V; DC plug outer +V -0001 suffix

## Environmental Specifications

Operating temperature:	0° to 40 °C ambient
Storage temperature:	-40 °C to +85 °C
Electromagnetic susceptibility:	Designed to meet EN55082-1
Humidity:	Operating; non-condensing 20% to 90% RH
Vibration:	Per IEC 60068-2-6

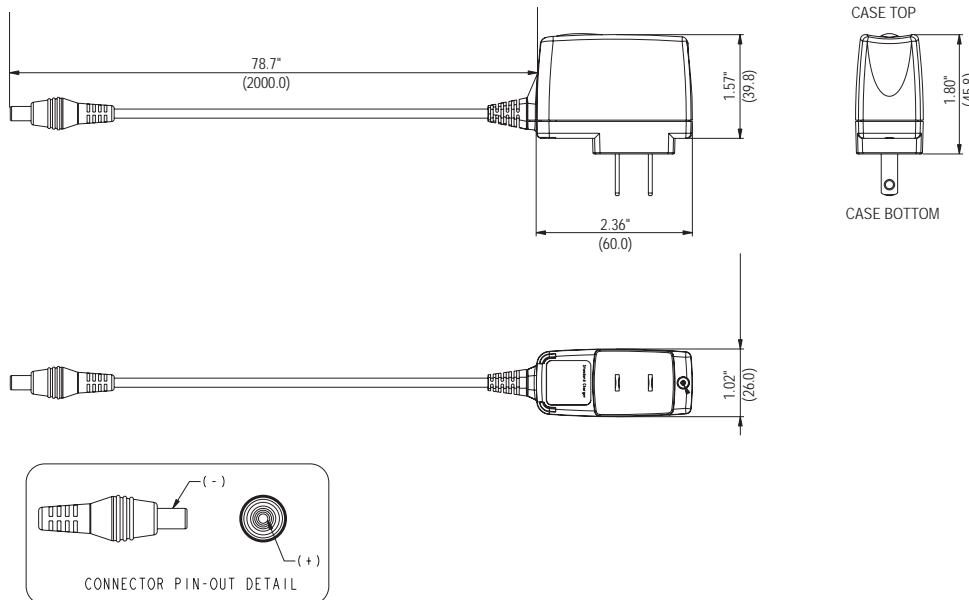
## Ordering Information

Model Number	Maximum Power	Output Voltage	Minimum Load	Maximum Load	Ripple P/P (PARD) <sup>1</sup>
DA4-110US	3.3 W	11 V	0	0.30 A	110 mV
DA4-165US	5 W	16.5 V	0	0.30 A	165 mV
DA4-180US	5.4 W	18 V	0	0.30 A	180 mV
DA4-215US	6.5 W	21.5 V	0	0.30 A	215 mV
DA4-230US	6.9 W	23 V	0	0.30 A	230 mV
DA4-265US	8 W	26.5 V	0	0.30 A	265 mV

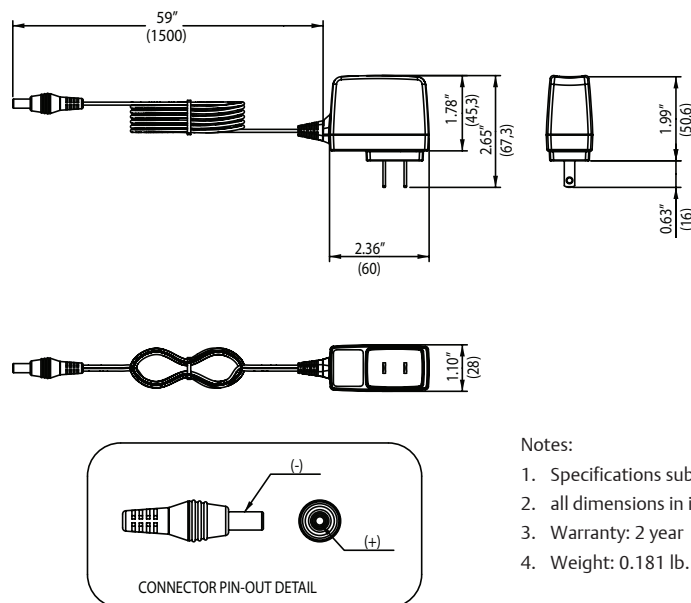
1. Peak-to-peak with 1 MHz bandwidth and 10  $\mu$ F (tantalum capacitor) in parallel with a 0.1  $\mu$ F capacitor at rated line voltage and load ranges.
2. Output should not be grounded for EMI purpose.

## Mechanical Drawing

### DA4-110-215US



### DA4-230/265US



#### Notes:

1. Specifications subject to change without notice.
2. all dimensions in inches (mm), tolerance is  $\pm .02$ "
3. Warranty: 2 year
4. Weight: 0.181 lb. / 0.082 kg.

### Americas

5810 Van Allen Way  
Carlsbad, CA 92008  
USA  
Telephone: +1 760 930 4600  
Facsimile: +1 760 930 0698

### Europe (UK)

Waterfront Business Park  
Merry Hill, Dudley  
West Midlands, DY5 1LX  
United Kingdom  
Telephone: +44 (0) 1384 842 211  
Facsimile: +44 (0) 1384 843 355

### Asia (HK)

14/F, Lu Plaza  
2 Wing Yip Street  
Kwun Tong, Kowloon  
Hong Kong  
Telephone: +852 2176 3333  
Facsimile: +852 2176 3888

For global contact, visit:

[www.PowerConversion.com](http://www.PowerConversion.com)  
[techsupport.embeddedpower@emerson.com](mailto:techsupport.embeddedpower@emerson.com)

While every precaution has been taken to ensure accuracy and completeness in this literature, Emerson Network Power assumes no responsibility, and disclaims all liability for damages resulting from use of this information or for any errors or omissions.

**Emerson Network Power.**  
The global leader in enabling  
business-critical continuity.

- AC Power
- Connectivity
- DC Power
- Embedded Computing
- **Embedded Power**
- Monitoring
- Outside Plant
- Power Switching & Controls
- Precision Cooling
- Racks & Integrated Cabinets
- Services
- Surge Protection

**EmersonNetworkPower.com**

Emerson Network Power and the Emerson Network Power logo are trademarks and service marks of Emerson Electric Co. ©2009 Emerson Electric Co.