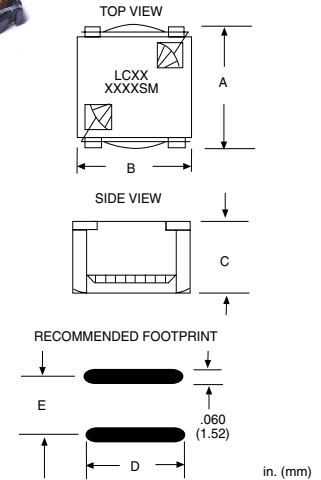


LCSMLF ROHS Low Current Toroidal Inductors



PART NUMBER	L μ H @ 1kHz \pm 20%	CURRENT RATING* ADC	Lw/DC	@ IDC	DCR OHMS MAX.	SRF MHz MIN.	A DIM MAX.	B DIM MAX.	C DIM MAX.	D DIM NOM.	E DIM NOM.
LC20-1101SMLF	1.1	5.4	1.01	3.4	.0110	275	.340 (8.64)	.340 (8.64)	.270 (6.86)	.300 (7.62)	.270 (6.86)
LC20-7001SMLF	7.0	2.1	6.2	1.4	.0700	55	.340 (8.64)	.340 (8.64)	.270 (6.86)	.300 (7.62)	.270 (6.86)
LC20-2272SMLF	22.7	1.6	17.6	1.0	.1250	23	.340 (8.64)	.340 (8.64)	.270 (6.86)	.300 (7.62)	.270 (6.86)
LC30-5201SMLF	5.2	5.1	3.8	4.8	.0173	72	.440 (11.18)	.435 (11.05)	.360 (9.14)	.400 (10.16)	.360 (9.14)
LC30-1232SMLF	12.3	3.2	9.4	2.8	.0434	30	.440 (11.18)	.435 (11.05)	.360 (9.14)	.400 (10.16)	.360 (9.14)
LC30-3532SMLF	35.3	1.7	29.7	1.4	.1660	12	.440 (11.18)	.435 (11.05)	.360 (9.14)	.400 (10.16)	.360 (9.14)
LC30-1673SMLF	167.0	1.1	114.0	.94	.3800	3.2	.440 (11.18)	.435 (11.05)	.360 (9.14)	.400 (10.16)	.360 (9.14)
LC37-3801SMLF	3.8	7.9	2.5	8.0	.0083	55	.565 (14.35)	.560 (14.22)	.360 (9.14)	.520 (13.21)	.460 (11.68)
LC37-7501SMLF	7.5	5.4	5.1	5.4	.0177	31	.565 (14.35)	.560 (14.22)	.360 (9.14)	.520 (13.21)	.460 (11.68)
LC37-2192SMLF	21.9	2.9	16.2	2.7	.0630	14	.565 (14.35)	.560 (14.22)	.360 (9.14)	.520 (13.21)	.460 (11.68)
LC37-7302SMLF	73.0	1.3	58.1	1.3	.2900	5.0	.565 (14.35)	.560 (14.22)	.360 (9.14)	.520 (13.21)	.460 (11.68)
LC37-2923SMLF	292.0	1.0	192.0	.90	.5600	1.7	.565 (14.35)	.560 (14.22)	.360 (9.14)	.520 (13.21)	.460 (11.68)
LC37-6723SMLF	672.0	0.8	383.0	.72	.8620	1.1	.565 (14.35)	.560 (14.22)	.360 (9.14)	.520 (13.21)	.460 (11.68)
LC44-7901SMLF	7.9	6.6	4.9	7.8	.0124	27	.615 (15.62)	.590 (14.99)	.390 (9.91)	.550 (13.97)	.510 (12.95)
LC44-1402SMLF	14.0	4.9	9.0	5.5	.0223	19	.615 (15.62)	.590 (14.99)	.390 (9.91)	.550 (13.97)	.510 (12.95)
LC44-4052SMLF	40.5	2.5	29.1	2.7	.0850	1.3	.615 (15.62)	.590 (14.99)	.390 (9.91)	.550 (13.97)	.510 (12.95)
LC44-1134SMLF	1134.0	0.7	645.0	.74	1.2500	.7	.615 (15.62)	.590 (14.99)	.390 (9.91)	.550 (13.97)	.510 (12.95)
LC50-1602SMLF	16.0	6.0	9.3	7.2	.0187	15	.700 (17.78)	.670 (17.02)	.390 (9.91)	.620 (15.75)	.590 (14.99)
LC50-2592SMLF	25.9	4.6	16.1	5.1	.0320	10	.700 (17.78)	.670 (17.02)	.390 (9.91)	.620 (15.75)	.590 (14.99)
LC50-7292SMLF	72.9	2.3	50.0	2.6	.1330	5.0	.700 (17.78)	.670 (17.02)	.390 (9.91)	.620 (15.75)	.590 (14.99)
LC50-1954SMLF	1950.0	0.6	1070.0	.71	1.7000	.48	.700 (17.78)	.670 (17.02)	.390 (9.91)	.620 (15.75)	.590 (14.99)



NOTES:

- Operating temperature -30°C to +130°C
- *Rated current is based on a 55°C temperature rise at an ambient temperature of 25°C.

TAPE AND REEL SPECS: LC20 Parts:

Pcs./Reel maximum: 750
 Pitch between parts: 12 mm
 Tape width: 24 mm
 Reel diameter inches: 13

TAPE AND REEL SPECS: LC30 Parts:

Pcs./Reel maximum: 430
 Pitch between parts: 16 mm
 Tape width: 24 mm
 Reel diameter inches: 13

TAPE AND REEL SPECS: LC37 Parts:

Pcs./Reel maximum: 290
 Pitch between parts: 24 mm
 Tape width: 24 mm
 Reel diameter inches: 13

TAPE AND REEL SPECS: LC50 Parts:

Pcs./Reel maximum: 170
 Pitch between parts: 32 mm
 Tape width: 32 mm
 Reel diameter inches: 13