

FEATURES

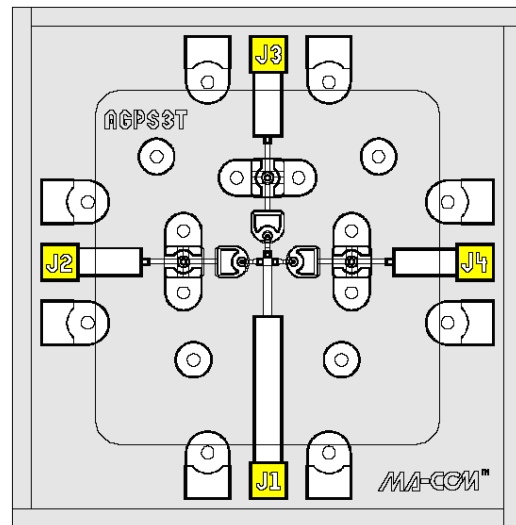
- Ultra Broad Bandwidth : 50 MHz to 50 GHz
- Functional Bandwidth : 50 MHz to 70 GHz
- 0.8 dB Insertion Loss
- 31 dB Isolation at 50 GHz
- Low Current consumption
 - -10mA for low loss state
 - +10mA for Isolation state
- M/A-COM Tech's unique AlGaAs hetero-junction anode technology
- Silicon Nitride Passivation
- Polymer Scratch protection
- RoHS Compliant* and 260°C Reflow Compatible

DESCRIPTION

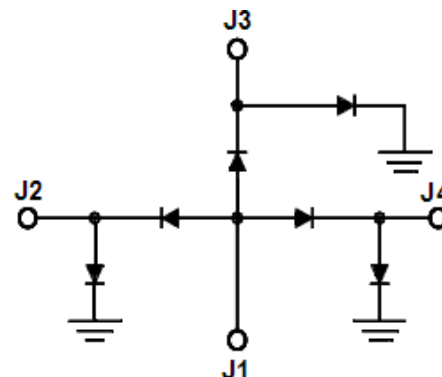
The MA4AGSW3 is an Aluminum-Gallium-Arsenide, single pole, triple throw (SP3T), PIN diode switch. The switch features enhanced AlGaAs anodes which are formed using M/A-COM Tech's patented hetero-junction technology. This technology produces a switch with less loss than conventional GaAs processes. As much as a 0.3 dB reduction in insertion loss can be realized at 50GHz. These devices are fabricated on an OMCVD epitaxial wafer using a process designed for high device uniformity and extremely low parasitics. The diodes themselves exhibit low series resistance, low capacitance, and fast switching speed. They are fully passivated with silicon nitride and have an additional polymer layer for scratch protection. The protective coating prevents damage to the diode junction and anode air-bridges during handling and assembly. Off chip bias circuitry is required.

APPLICATIONS

The high electron mobility of AlGaAs and the low capacitance of the PIN diodes makes this switch ideal for fast switching, high frequency, multi-throw switch designs. These AlGaAs PIN switches are use in switching arrays for radar systems, radiometers, test equipment and other multi-assembly components.



Yellow areas indicate bond pads



Absolute Maximum Ratings
@ T_{AMB} = +25°C (Unless Otherwise Noted)

Parameter	Maximum Rating
Operating Temperature	-55°C to +125°C
Storage Temperature	-55°C to +150°C
Incident C.W. RF Power	+23dBm C.W.
Breakdown Voltage	25V
Bias Current	± 25mA
Junction Temperature	+150°C

Maximum combined operating conditions for RF Power, D.C. bias, and temperature: +23 dBm C.W. @ 10 mA (per diode) @ +85°C.

* Restrictions on Hazardous Substances, European Union Directive 2002/95/EC.

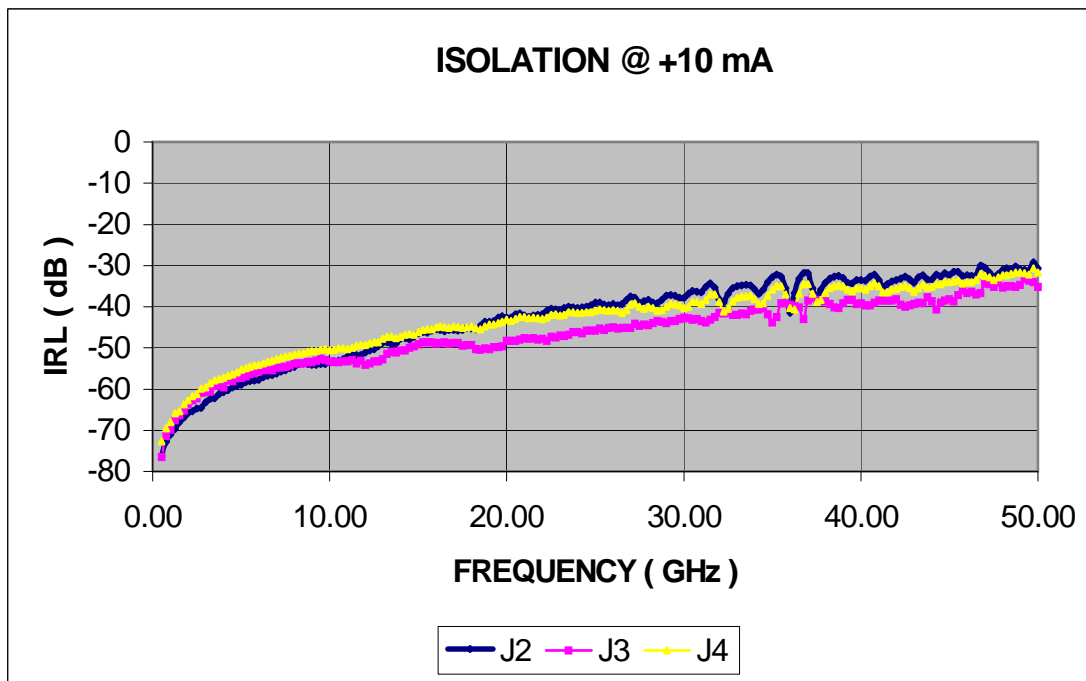
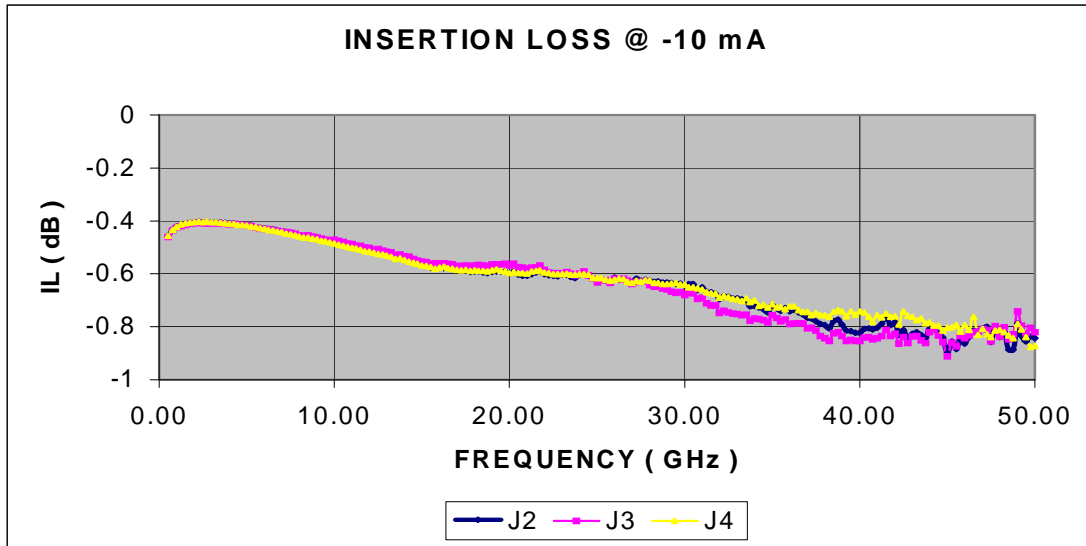
**Electrical Specifications @ T_A = 25°C, +/-10mA bias current
(On-wafer measurements)**

RF SPECIFICATIONS					
PARAMETER	FREQUENCY BAND	MIN	TYP	MAX	UNITS
INSERTION LOSS	0.05 - 18GHz	---	0.6	0.7	dB
	18 - 50GHz	---	0.8	1.1	dB
ISOLATION	0.05 - 18GHz	38	45	---	dB
	18 - 50GHz	24	31	---	dB
INPUT RETURN LOSS	0.05 - 18GHz	---	21	---	dB
	18 - 50GHz	---	24	---	dB
OUTPUT RETURN LOSS	0.05 - 18GHz	---	26	---	dB
	18 - 50GHz	---	20	---	dB
SWITCHING SPEED* (10 % - 90 % RF VOLTAGE)	10GHZ	---	20	---	nS

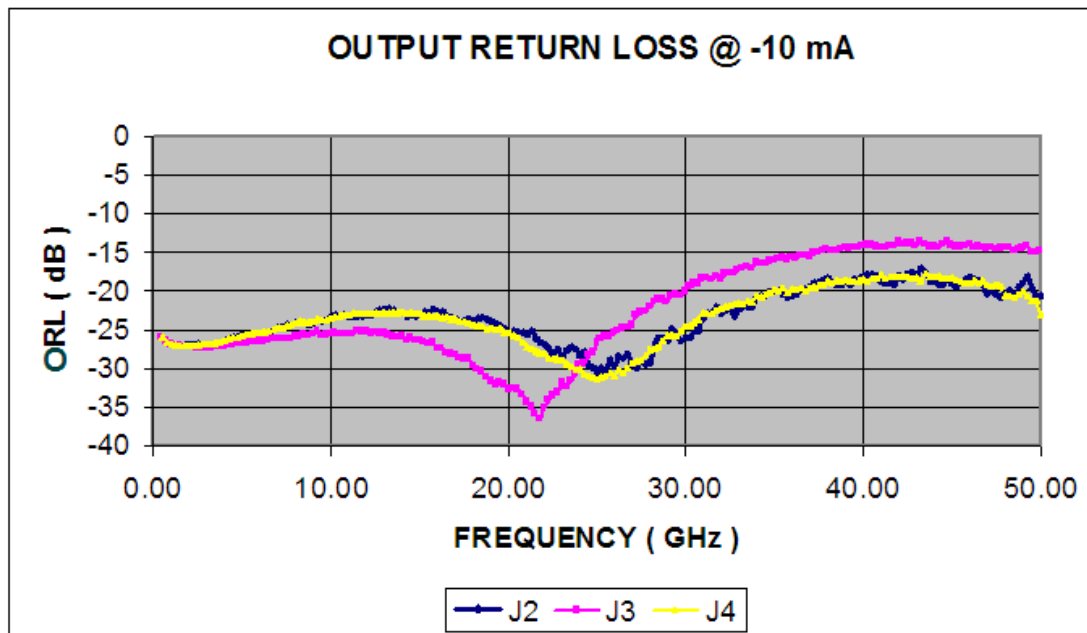
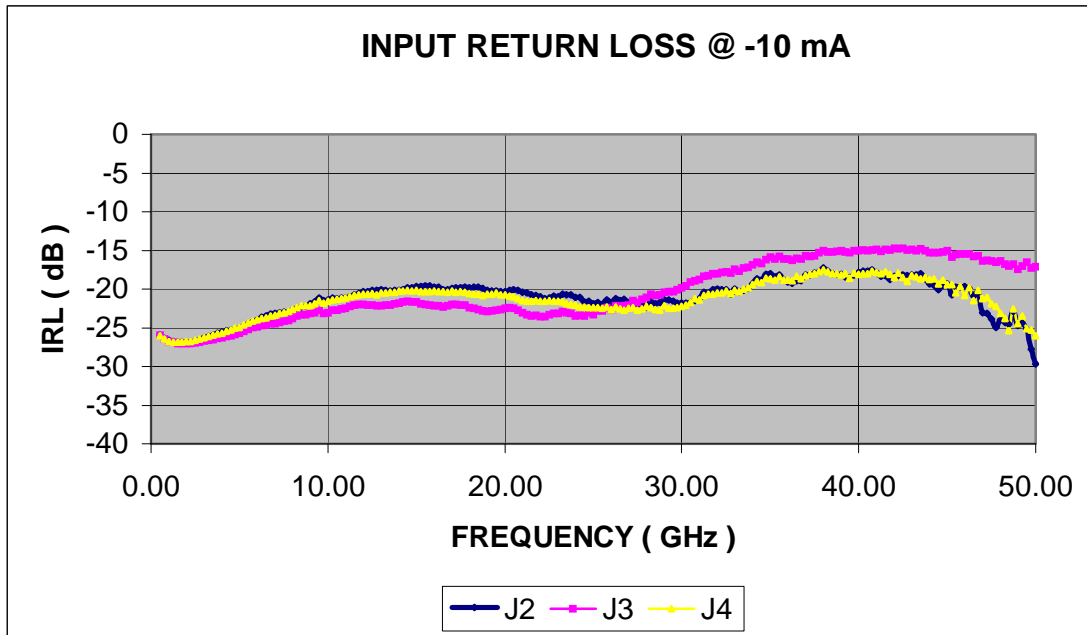
***Note:**

Typical switching speed is measured from 10% to 90% of the detected RF voltage driven by a TTL compatible driver. Driver output parallel RC network uses a capacitor between 390 pF - 560 pF and a resistor between 150 - 220 Ohms to achieve 20 ns rise and fall times.

Typical R.F. Performance (Probed on Wafer) @ +25°C



Typical RF Performance (Probed on wafer) @ +25°C



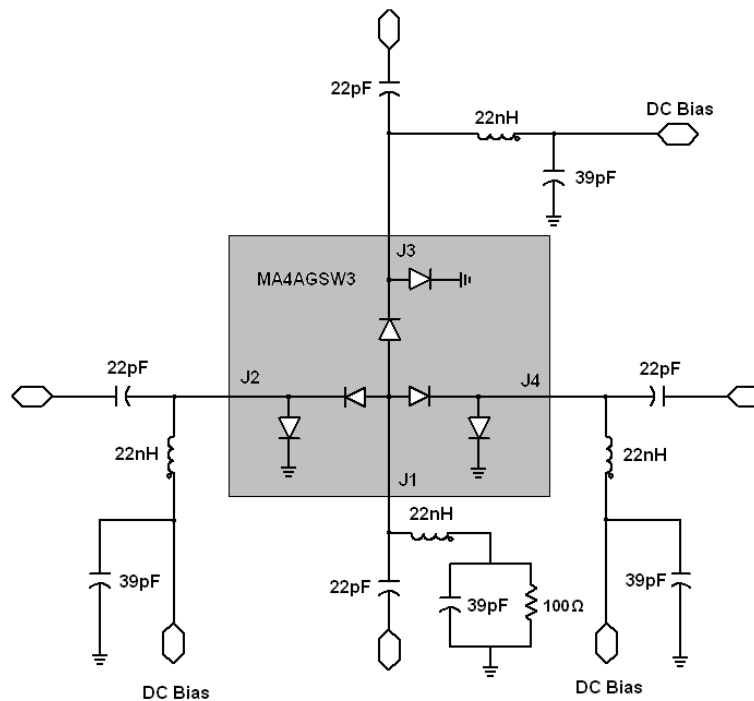
Operation of the MA4AGSW3 Switch

The simultaneous application of a negative DC current to the low loss port and positive DC current to the remaining isolated switching ports is required for the operation of the MA4AGSW3, AIGaAs, PIN switch. The backside area of the die is the RF and DC return ground plane. The DC return is connected to the common port J1. The forward bias voltage at J2, J3 & J4 will not exceed ± 1.6 volts and is typically ± 1.4 volts with supply current of ± 30 mA). In the low loss state, the series diode must be forward biased and the shunt diode reverse biased. While for the Isolated port, the shunt diode is forward biased and the series diode is reverse biased. The bias network design shown below should yield > 30 dB RF to DC Isolation.

Available for use in conjunction with M/A-COM Tech's line of AIGaAs switches are two, fully integrated, broadband, monolithic, bias networks which may be used as an alternative to the suggested individual component bias network shown below. Refer to datasheets for the [MA4BN1840-1](#) and [MA4BN1840-2](#) for additional information.

The lowest insertion loss, P1dB, IP³, and switching speed is achieved by using a voltage pull-up resistor in the DC return path, (J1). A minimum value of $-2V$ is recommended at this return node, which is achievable with a standard, $\pm 5V$ TTL Controlled PIN Diode Driver.

MA4AGSW3 Schematic with a Typical External 2-18 GHz Bias Network



TYPICAL DRIVER CONNECTIONS

CONTROL LEVEL (DC CURRENT)			CONDITION OF RF OUTPUT		
J2	J3	J4	J2-J1	J3-J1	J4-J1
-10mA	+10mA	+10mA	Low Loss	Isolation	Isolation
+10mA	-10mA	+10mA	Isolation	Low Loss	Isolation
+10mA	+10mA	-10mA	Isolation	Isolation	Low Loss

5

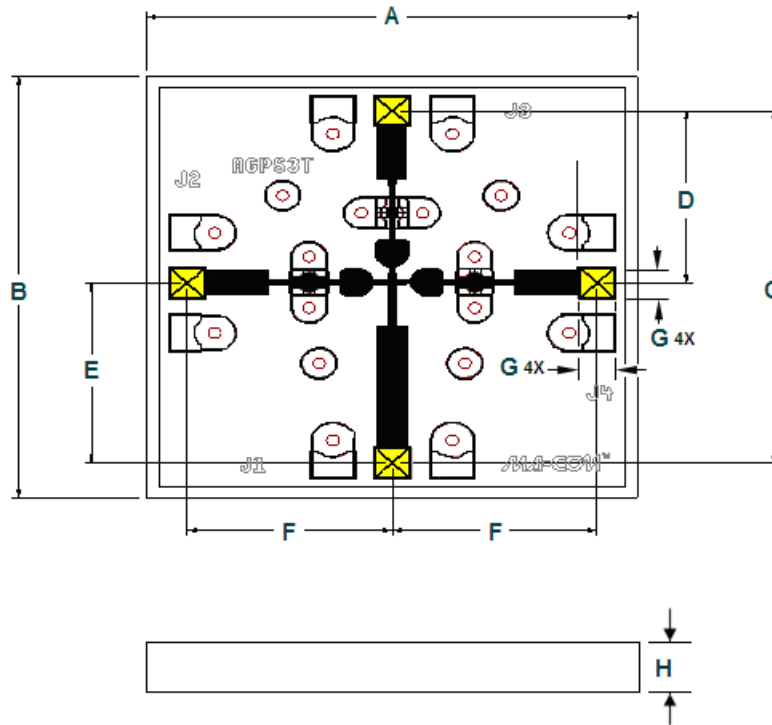
ADVANCED: Data Sheets contain information regarding a product M/A-COM Technology Solutions is considering for development. Performance is based on target specifications, simulated results, and/or prototype measurements. Commitment to develop is not guaranteed.

PRELIMINARY: Data Sheets contain information regarding a product M/A-COM Technology Solutions has under development. Performance is based on engineering tests. Specifications are typical. Mechanical outline has been fixed. Engineering samples and/or test data may be available. Commitment to produce in volume is not guaranteed.

• **North America** Tel: 800.366.2266 • **Europe** Tel: +353.21.244.6400
 • **India** Tel: +91.80.43537383 • **China** Tel: +86.21.2407.1588
 Visit www.macomtech.com for additional data sheets and product information.

M/A-COM Technology Solutions Inc. and its affiliates reserve the right to make changes to the product(s) or information contained herein without notice.

Chip Dimensions and Bonding Pad Locations (In Yellow)



DIM	mils			mm		
	Min	Typ	Max	Min	Typ	Max
A	52	53	54	1.321	1.346	1.372
B	53	54	55	1.346	1.372	1.397
C	45.0	45.5	46.0	1.143	1.156	1.168
D	21.5	22.0	22.5	0.546	0.559	0.572
E	23.0	23.5	24.0	0.584	0.597	0.610
F	21.5	22.0	22.5	0.546	0.559	0.572
G	3.5	4.0	4.5	0.089	0.102	0.114
H	3.5	4.0	4.5	0.089	0.102	0.114

ASSEMBLY INSTRUCTIONS

CLEANLINESS

These chips should be handled in a clean environment.

STATIC SENSITIVITY

These Devices are considered ESD Class 1A, HBM. Proper ESD techniques should be used when handling these devices.

GENERAL HANDLING

The protective polymer coating on the active areas of the die provides scratch and impact protection, particularly for the metal air bridge, which contacts the diode's anode. Die should primarily be handled with vacuum pickup tools, or alternatively with plastic tweezers.

ASSEMBLY TECHNIQUES

The MA4AGSW3, AlGaAs device is designed to be mounted with electrically conductive silver epoxy or with a low temperature solder perform, which does not have a rich tin content.

SOLDER DIE ATTACH

Only solders which do not scavenge gold, such as 80/20, Au/Sn or Indalloy #2 is recommended. Do not expose die to temperatures greater than 300°C for more than 10 seconds.

ELECTRICAL CONDUCTIVE EPOXY DIE ATTACH

Use a controlled thickness of approximately 2 mils for best electrical conductivity and lowest thermal resistance. Cure epoxy per manufacturer's schedule. Typically 150°C for 1 hour.

RIBBON/WIRE BONDING

Thermo-compression wedge or ball bonding may be used to attach ribbons or wire to the gold bonding pads. A 1/4 x 3 mil gold ribbon is recommended on all RF ports and should be kept as short as possible for the lowest inductance and best microwave performance. For more detailed handling and assembly instructions, see [Application Note M541](#), "Bonding and Handling Procedures for Chip Diode Devices" at www.macomtech.com.

Ordering Information

Part Number	Package
MA4AGSW3	Waffle Pack