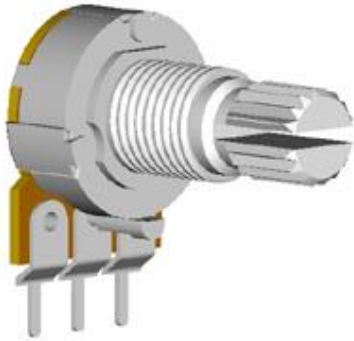


Model(型號): **ROTARY POTENTIOMETER-----R12311[x]B1**

► Download PDF file



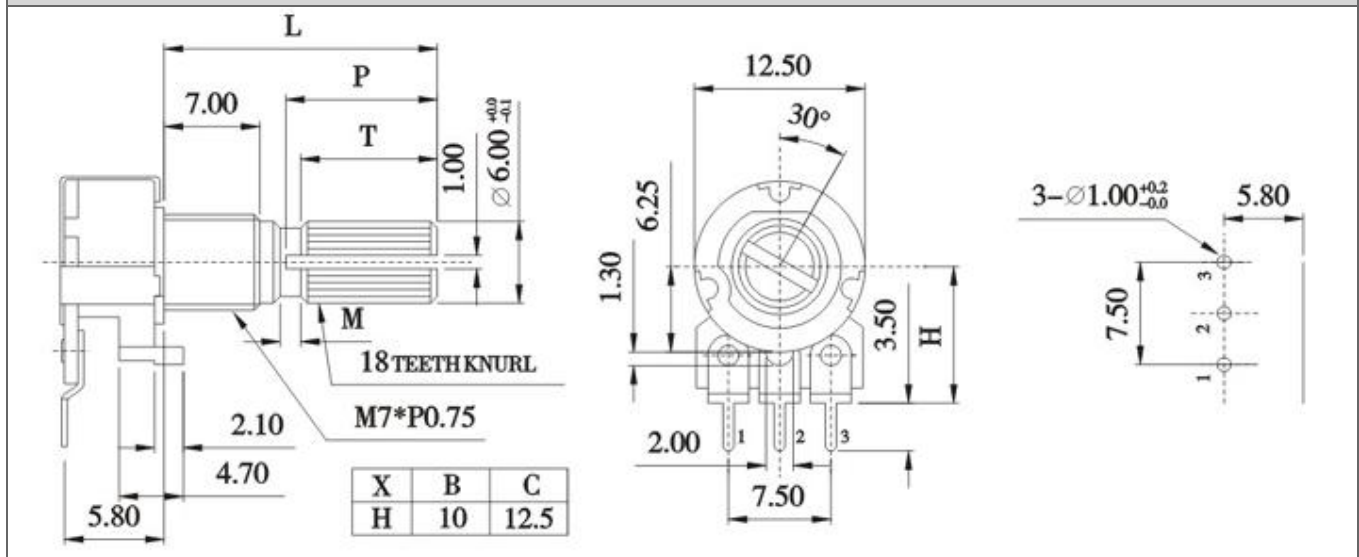
Features:(特點):

Excellent operatonal feeling

Applications(作用):

Suitable for various vontrol applications with general consumer electronics products,automotive installation equipment and devices,industrial machines,etc

Dimensions(規格圖):



Specifications(規格)

| | |
|--|---|
| Total resistance [全阻抗值] | 500Ω~1MΩ |
| Total resistance tolerance [全阻抗值容許差] | ±20% |
| Ratings power(w) [額定功率] | B curve 0.08W,except B 0.04W |
| Restings taper[阻抗變化特性] | A,B,*C,D,W,RD |
| Residual resistance [殘留阻值] | 20ΩMax. |
| Sliding noise [滑動雜音] | 47mV Max. |
| Withstanding voltage [耐電壓] | 1 minute at AC 300V |
| Insulation resistance [絕緣阻抗] | 50MΩ Min. at DC 500V. |
| Max. operating voltage [最高使用電壓] | linear Taper B AC 150V, except B AC 100V. |
| Gang error:[運動誤差] | -40dB~0dB ±3dB Max. |
| Switch contact resistance[開關的接觸阻抗] | less than 0.5mΩ |
| Switch Ratings power | 3A at DC 16V or 1A at AC 125V |

Mechanical Characteristics [機械性能]

| | |
|------------------------------------|------------------|
| Operation torque [回轉力矩] | 20~200gf . cm |
| Rotation stopper strength [止動強度] | 3.0Kgf . cm Min. |
| Total rotational angle [回轉角度] | 300±5° |
| Push-pull strength[推 拉強度] | 5.0Kgf . cm Min. |
| position of click[掣子位置] | 150° ±5° |
| Center decent force [掣子脫出力矩] | 50~250gf.cm |

| | |
|---|------------------------|
| Switch rotational angle[開關的回轉角度] | 30° ±10° |
| Switch action[開關的轉動力] | 150~350gf.cm |
| Endurance Characteristics [耐久性能] | |
| Rotational life [回轉壽命] | More than10,000 cycles |

[Http://www.productwell.com](http://www.productwell.com) E-Mail: pwlhk@productwell.com Tel: (852)2687 3208 Fax: (852)2687 3336