

Features

Regulated Converters

- World's Most Compact High Voltage Power Supplies
- Full SMD-Design with Ceramic Capacitors for Highest Reliability
- Positive or Negative Polarity Models
- Shielded Metal Case
- Low Ripple & Temperature Coefficient
- Remote Voltage Programming 0 to 100%
- Continuous Short Circuit Protection
- 2-Year Product Warranty
- Input Voltage Special Request
- Efficiency to 65%

INNOLINE
DC/DC-Converter

Rxx-S Series

2 ~ 2.5 Watt
Single
Output

Selection Guide

Part Number	Input Range (VDC)	Output Voltage (VDC)	Output Current (mA)
R12-180 S 15 P	12 (10.8 – 13.2)	0...+180	15
R12-300 S 10 P	12 (10.8 – 13.2)	0...+300	10
R12-350 S 07 P	12 (10.8 – 13.2)	0...+350	7
R24-180 S 15 P	24 (21.6 – 26.4)	0...+180	15
R24-300 S 10 P	24 (21.6 – 26.4)	0...+300	10
R24-350 S 07 P	24 (21.6 – 26.4)	0...+350	7
R12-180 S 15 N	12 (10.8 – 13.2)	0...-180	15
R12-300 S 10 N	12 (10.8 – 13.2)	0...-300	10
R12-350 S 07 N	12 (10.8 – 13.2)	0...-350	7
R24-180 S 15 N	24 (21.6 – 26.4)	0...-180	15
R24-300 S 10 N	24 (21.6 – 26.4)	0...-300	10
R24-350 S 07 N	24 (21.6 – 26.4)	0...-350	7



RECOM

Notes:

1. Adjustable with external voltage 0 to +4VDC or with 5k. variable resistor. See below for details.
2. "N" for Negative.
3. "P" for Positive.

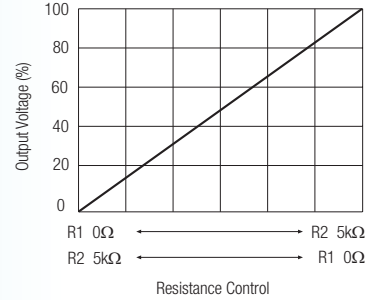
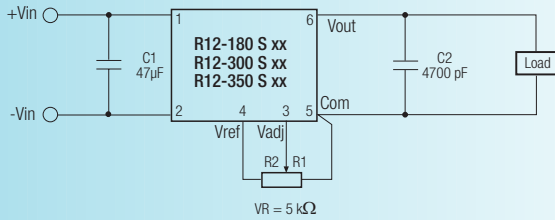
Specifications

(typical at 25°C, nominal input voltage, rated output current unless otherwise specified)

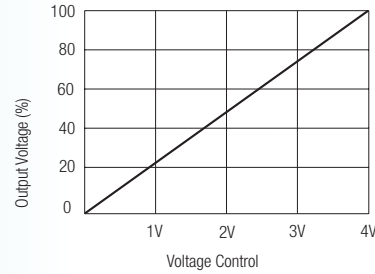
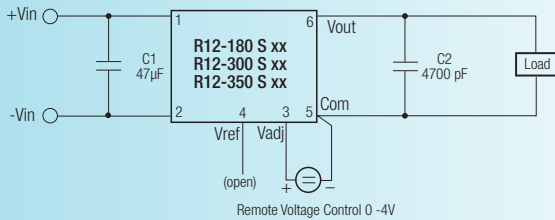
Output Voltage Accuracy	±5%
Rated Power	2 ~ 2.5 Wat max.
Voltage Adjustment Range (see note 1)	0-100%
Line Voltage Regulation	±0.03%
Load Voltage Regulation (0% to 100% full load)	±0.08%
Output Ripple and Noise (20MHz limited)	30mVp-p max.
Efficiency at Full Load	60 ~ 65%
Operating Temperature Range (free air convection)	-10°C to +60°C
Storage Temperature Range	-25°C to +85°C
Package Weight	46g

Connection Diagram

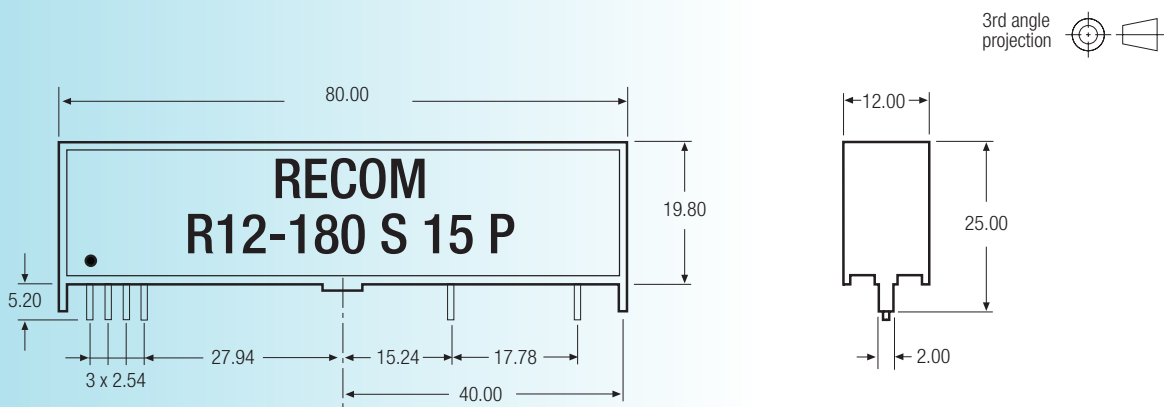
For remote control by variable resistor



For remote voltage control



Package Style and Pinning



Pin Connections

Pin #	Out
1	+Vin
2	-Vin
3	V adj.
4	V ref.
5	-Vout
6	+Vout

XX.X ± 0.5 mm
XX.XX ± 0.25 mm